



Chipsmall Limited consists of a professional team with an average of over 10 year of expertise in the distribution of electronic components. Based in Hongkong, we have already established firm and mutual-benefit business relationships with customers from,Europe,America and south Asia,supplying obsolete and hard-to-find components to meet their specific needs.

With the principle of “Quality Parts,Customers Priority,Honest Operation,and Considerate Service”,our business mainly focus on the distribution of electronic components. Line cards we deal with include Microchip,ALPS,ROHM,Xilinx,Pulse,ON,Everlight and Freescale. Main products comprise IC,Modules,Potentiometer,IC Socket,Relay,Connector.Our parts cover such applications as commercial,industrial, and automotives areas.

We are looking forward to setting up business relationship with you and hope to provide you with the best service and solution. Let us make a better world for our industry!



Contact us

Tel: +86-755-8981 8866 Fax: +86-755-8427 6832

Email & Skype: info@chipsmall.com Web: www.chipsmall.com

Address: A1208, Overseas Decoration Building, #122 Zhenhua RD., Futian, Shenzhen, China



THIS DRAWING IS UNPUBLISHED.

RELEASED FOR PUBLICATION

ALL RIGHTS RESERVED.

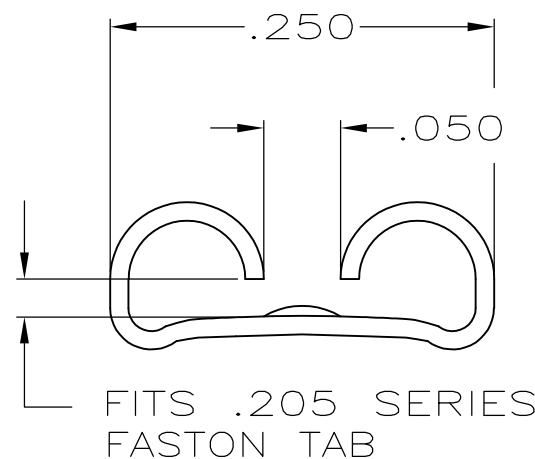
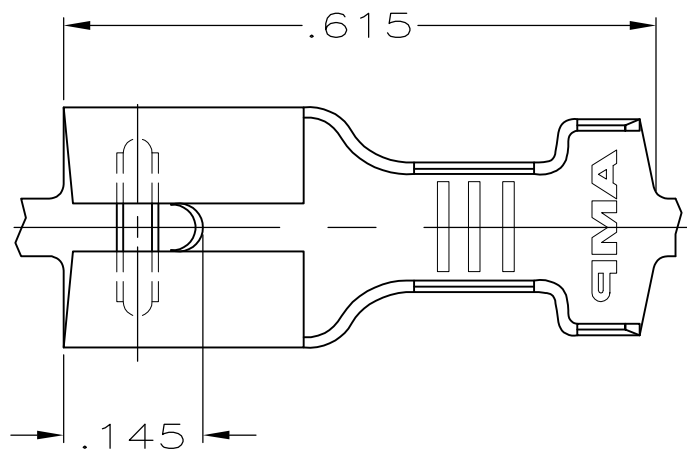
© COPYRIGHT - By -

LOC AF DIST 50

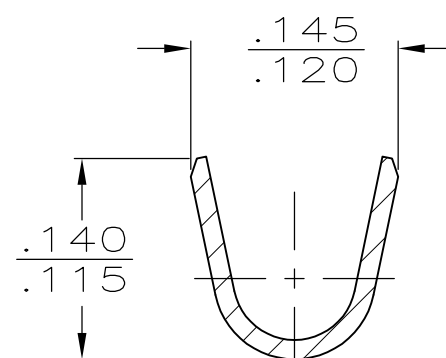
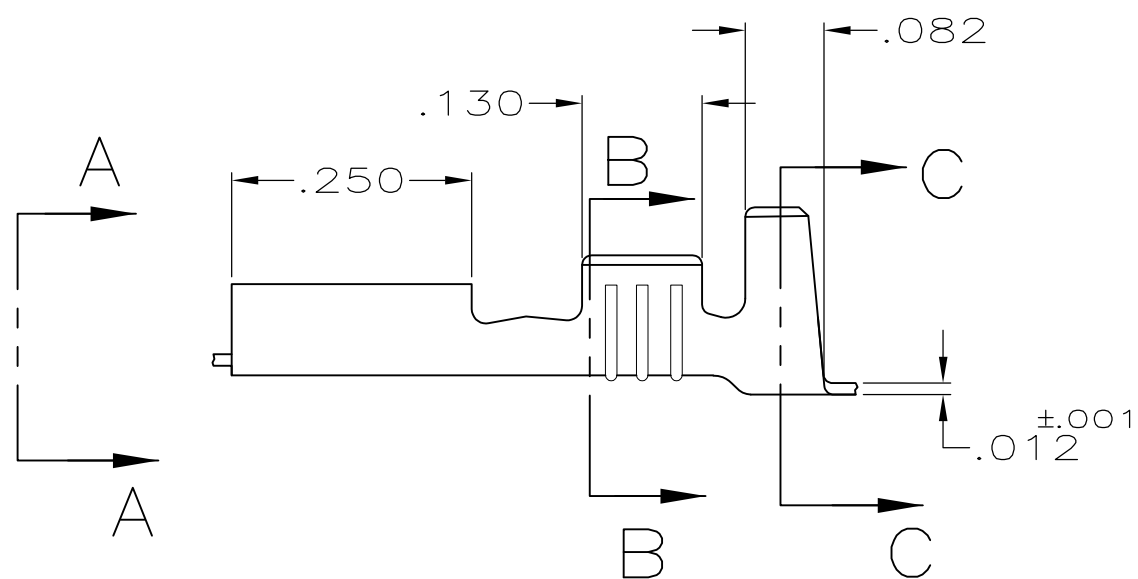
REVISIONS

P	LTR	DESCRIPTION	DATE	DWN	APVD
	N	REVISED PER ECR-12-013445	09NOV12	KH	PD

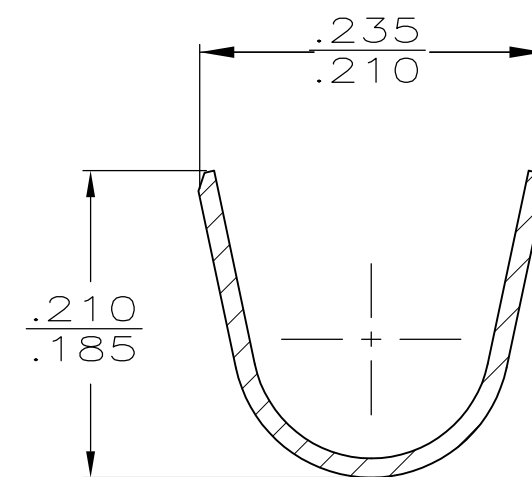
1 CONTINUOUS STRIP ON REELS



VIEW A-A SCALE 8:1



SECTION B-B SCALE 8:1



SECTION C-C SCALE 8:1

OBSOLETE	.130-.180	18-14	TIN	.020	42713-2
	.130-.180	18-14	-		42713-1
	INSUL RANGE	WIRE SIZE	FINISH	MATING TAB THK ±.001	PART NUMBER

THIS DRAWING IS A CONTROLLED DOCUMENT.		DWN JR RUTH 6/22/89	TE Connectivity RECEPTACLE, FASTON, .205 SERIES					
DIMENSIONS: INCHES		CHK P FORTNEY 6/22/89				NAME		
TOLERANCES UNLESS OTHERWISE SPECIFIED:		APVD C MEYERS 6/22/89				SIZE CAGE CODE DRAWING NO RESTRICTED TO		
0 PLC ± - 1 PLC ± - 2 PLC ± - 3 PLC ± .015 4 PLC ± - ANGLES ± -		PRODUCT SPEC -				A300779 C-42713		
MATERIAL BRASS		FINISH SEE TABLE	APPLICATION SPEC -	WEIGHT -	CUSTOMER DRAWING			
			SCALE 5:1	SHEET 1 OF 1	REV N			