



Chipsmall Limited consists of a professional team with an average of over 10 year of expertise in the distribution of electronic components. Based in Hongkong, we have already established firm and mutual-benefit business relationships with customers from,Europe,America and south Asia,supplying obsolete and hard-to-find components to meet their specific needs.

With the principle of “Quality Parts,Customers Priority,Honest Operation,and Considerate Service”,our business mainly focus on the distribution of electronic components. Line cards we deal with include Microchip,ALPS,ROHM,Xilinx,Pulse,ON,Everlight and Freescale. Main products comprise IC,Modules,Potentiometer,IC Socket,Relay,Connector.Our parts cover such applications as commercial,industrial, and automotives areas.

We are looking forward to setting up business relationship with you and hope to provide you with the best service and solution. Let us make a better world for our industry!



Contact us

Tel: +86-755-8981 8866 Fax: +86-755-8427 6832

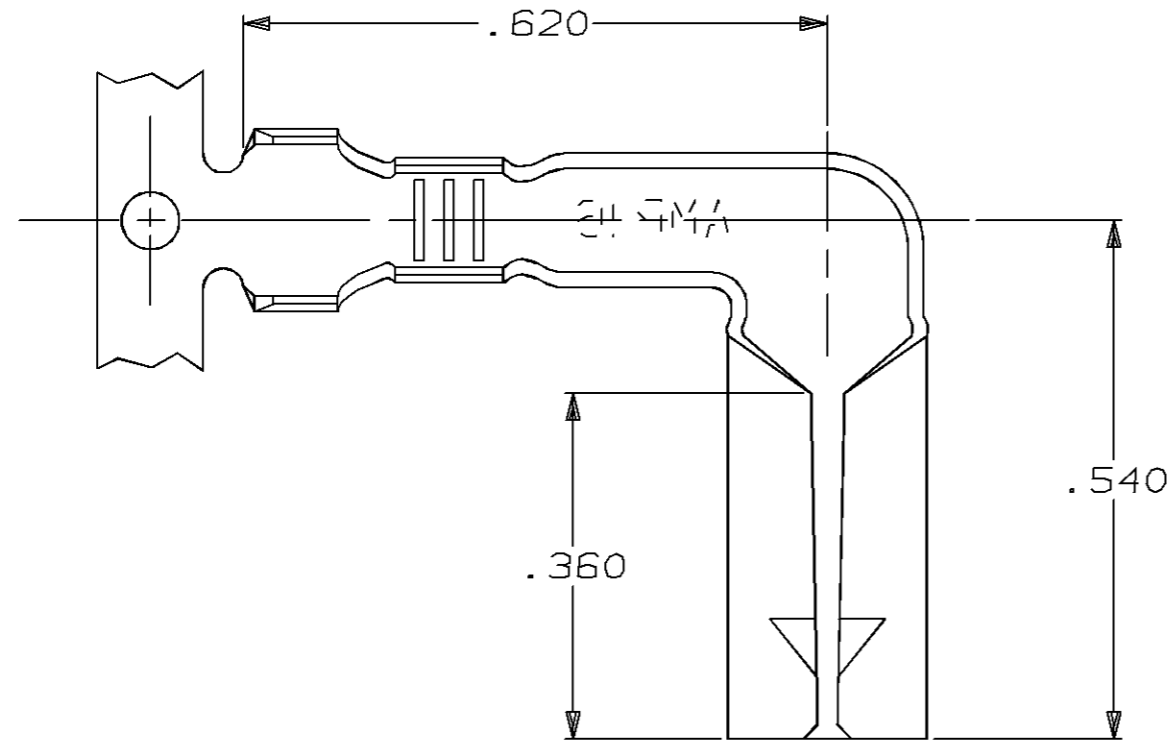
Email & Skype: info@chipsmall.com Web: www.chipsmall.com

Address: A1208, Overseas Decoration Building, #122 Zhenhua RD., Futian, Shenzhen, China

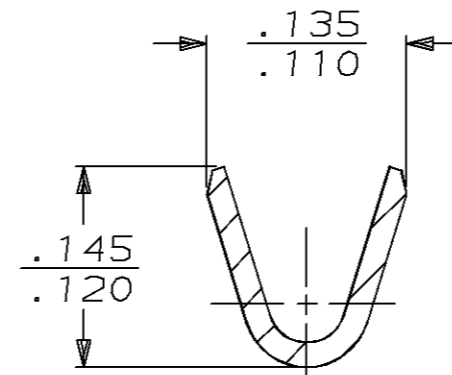
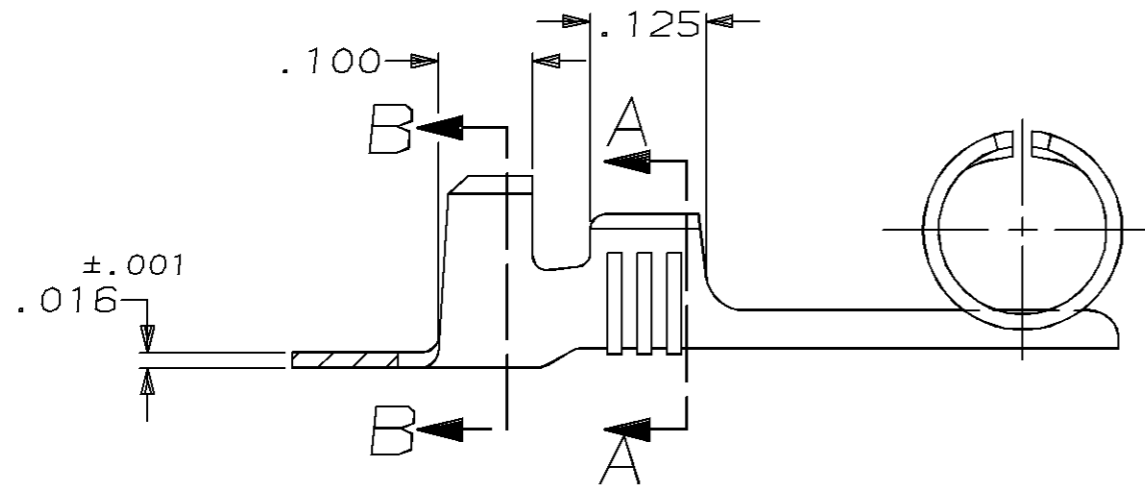


THIS DRAWING IS UNPUBLISHED. RELEASED FOR PUBLICATION, 19
 © COPYRIGHT 19 BY AMP INCORPORATED. ALL INTERNATIONAL RIGHTS RESERVED.

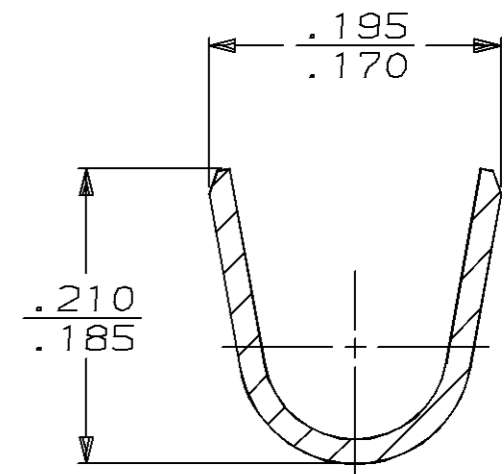
LOC	DIST	P	F	ZONE	LTR	REVISIONS		
AF	50				F	DESCRIPTION	DATE	APPD
						OBSOLETE -4 PER 0L10-0217-96	06/DEC/96	PF/GY



1 CONTINUOUS STRIP ON REELS
 2 REVERSED REELED



SECTION A-A
SCALE 8:1



SECTION B-B
SCALE 8:1

OBSOLETE	.100 .140 DIA	20-16 AWG	2	42749-4
	.100-.140 DIA	20-16 AWG		42749-1

F	.155	.190	F	.090	.065	16
					.057	18
					.053	20
TYPE	WIDTH	STRIP LENGTH ±.015	TYPE	WIDTH	±.002 HEIGHT	WIRE
INSUL BARREL CRIMP			WIRE BARREL CRIMP			

DO NOT SCALE PRINT. UNLESS SPECIFIED DIMENSIONS IN INCHES. TOLERANCES ON: 2 PLC DEC ± - 3 PLC DEC ± .015 ANGLES ± -	DR 5/2/90 P FORTNEY
MATERIAL #4 HARD BRASS	CHK 5/2/90 JR RUTH
FINISH	APPD 5/2/90 G YETTER
	APPD 5/2/90 R KUZO
	PRODUCT SPEC
	APPLICATION SPEC
	WEIGHT -

AMP AMP Incorporated Harrisburg, PA 17105-3608		
NAME PIN RECEPTACLE, .180 DIA		
SIZE B	CAGE CODE 00779	DRAWING NO 42749
SCALE 5:1	SHEET 1 OF 1	