



Chipsmall Limited consists of a professional team with an average of over 10 year of expertise in the distribution of electronic components. Based in Hongkong, we have already established firm and mutual-benefit business relationships with customers from,Europe,America and south Asia,supplying obsolete and hard-to-find components to meet their specific needs.

With the principle of “Quality Parts,Customers Priority,Honest Operation,and Considerate Service”,our business mainly focus on the distribution of electronic components. Line cards we deal with include Microchip,ALPS,ROHM,Xilinx,Pulse,ON,Everlight and Freescale. Main products comprise IC,Modules,Potentiometer,IC Socket,Relay,Connector.Our parts cover such applications as commercial,industrial, and automotives areas.

We are looking forward to setting up business relationship with you and hope to provide you with the best service and solution. Let us make a better world for our industry!



Contact us

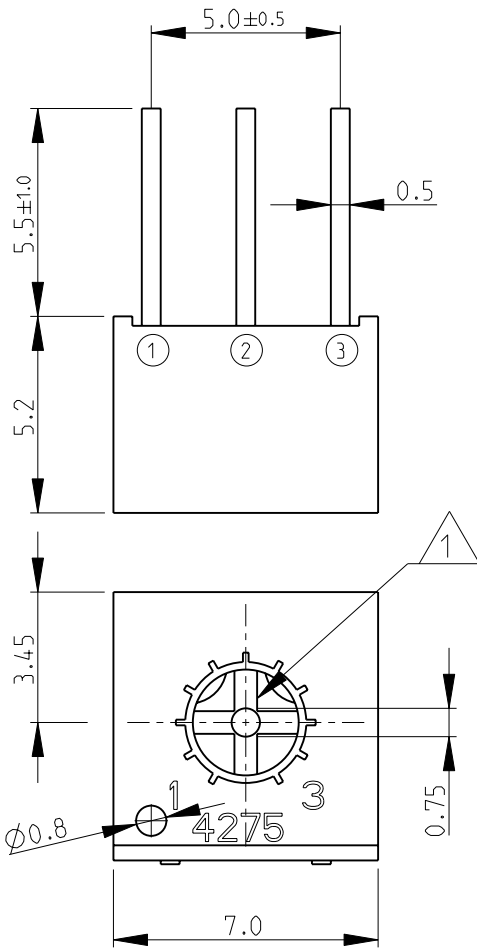
Tel: +86-755-8981 8866 Fax: +86-755-8427 6832

Email & Skype: info@chipsmall.com Web: www.chipsmall.com

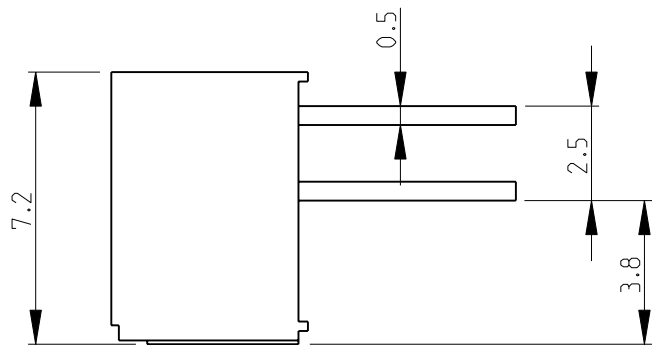
Address: A1208, Overseas Decoration Building, #122 Zhenhua RD., Futian, Shenzhen, China



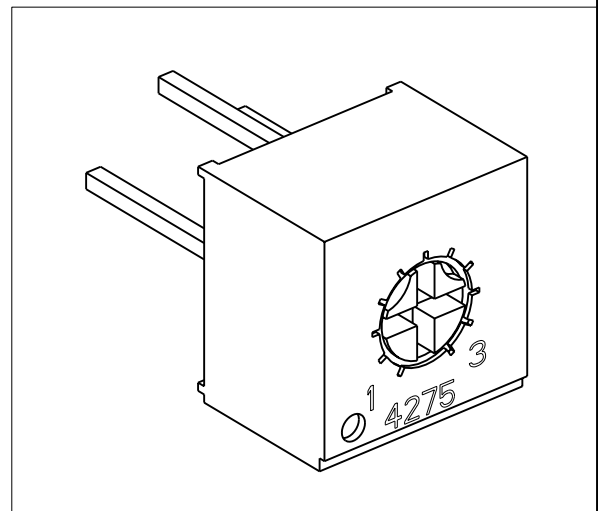
LOC	DIST	REVISIONS			
P	LTR	DESCRIPTION	DATE	DWN	APVD
E	B				
	BA	NEW RELEASE	17-NOV-08	SM	St.P



- 1 TOP ADJUSTMENT SLOT:
LENGTH- 2.8mm, WIDTH- 0.6mm, DEPTH- 0.9mm
- 2 FOR FURTHER INFORMATION SEE DATA SHEET FOR
4275 SERIES-PROFESSIONAL TRIMMERS



RoHS Compliant



2008
RELEASED FOR PUBLICATION
THIS DRAWING IS UNPUBLISHED.
© COPYRIGHT 2008 BY TYCO ELECTRONICS CORPORATION. ALL RIGHTS RESERVED.

DIMENSIONS: mm	DWN SUBHASH.M	17-NOV-08	MATERIAL	-	FINISH	-
	CHK PRAKASH.S	17-NOV-08	Tyco Electronics Corporation Dorcan, Swindon, SN3 5HH			
TOLERANCES UNLESS OTHERWISE SPECIFIED:	APVD STEPHEN.P	17-NOV-08				
	0 PLC ±0.2	PRODUCT SPEC	-	NAME	PROFESSIONAL TRIMMERS SERIES 4275P	
1 PLC ±0.1	APPLICATION SPEC	-	SIZE	CAGE CODE	DRAWING NO	RESTRICTED TO
2 PLC ±-			A 4	00779	©-1623900	-
3 PLC ±-						
4 PLC ±-						
ANGLES ±5°	WEIGHT	0.6g	CUSTOMER DRAWING		SCALE	5:1
					SHEET	1 OF 1
					REV	BA