



Chipsmall Limited consists of a professional team with an average of over 10 year of expertise in the distribution of electronic components. Based in Hongkong, we have already established firm and mutual-benefit business relationships with customers from,Europe,America and south Asia,supplying obsolete and hard-to-find components to meet their specific needs.

With the principle of "Quality Parts,Customers Priority,Honest Operation,and Considerate Service",our business mainly focus on the distribution of electronic components. Line cards we deal with include Microchip,ALPS,ROHM,Xilinx,Pulse,ON,Everlight and Freescale. Main products comprise IC,Modules,Potentiometer,IC Socket,Relay,Connector.Our parts cover such applications as commercial,industrial, and automotives areas.

We are looking forward to setting up business relationship with you and hope to provide you with the best service and solution. Let us make a better world for our industry!



Contact us

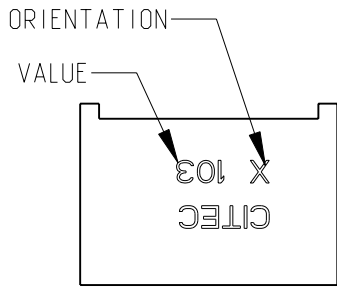
Tel: +86-755-8981 8866 Fax: +86-755-8427 6832

Email & Skype: info@chipsmall.com Web: www.chipsmall.com

Address: A1208, Overseas Decoration Building, #122 Zhenhua RD., Futian, Shenzhen, China

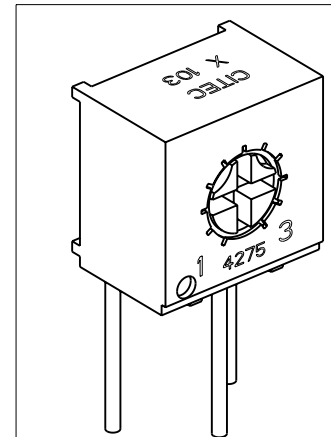
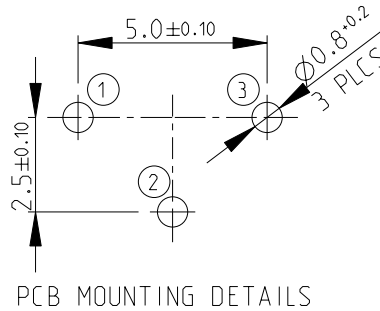
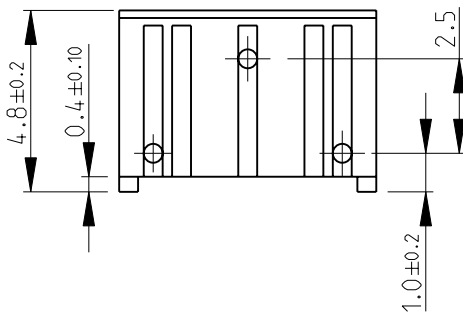
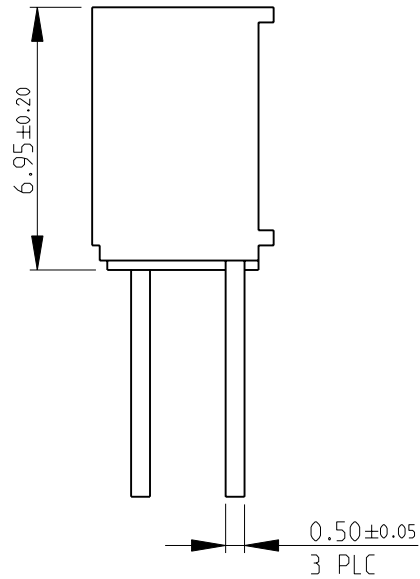
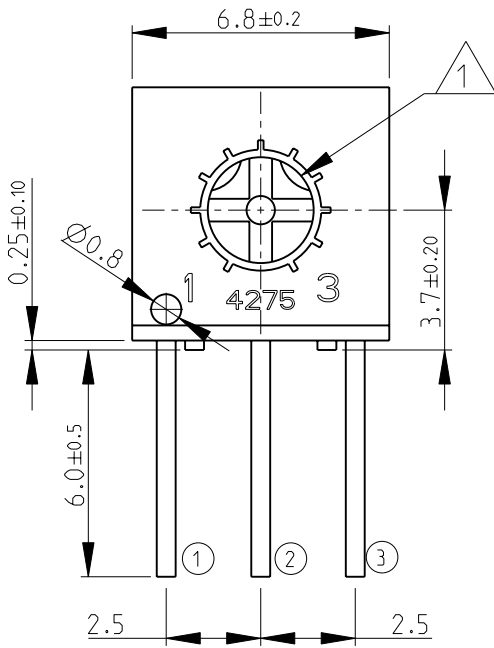
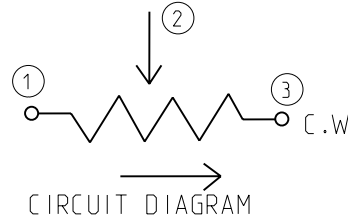


LOC E	DIST B	REVISIONS			DATE	DWN	APVD
		P	LTR	DESCRIPTION			
			BA	NEW RELEASE	25NOV09	MRS	St.P



1 SIDE ADJUSTMENT SLOT:
Length- 2.8 ± 0.2 , Width- 0.6 ± 0.1 , Depth- 0.9 ± 0.1

2 FOR FURTHER INFORMATION SEE DATA SHEET
FOR 4275 SERIES-PROFESSIONAL TRIMMERS



RoHS Compliant

2009

RELEASED FOR PUBLICATION

THIS DRAWING IS UNPUBLISHED.

BY TYCO ELECTRONICS CORPORATION. ALL RIGHTS RESERVED.
COPYRIGHT 2009

DIMENSIONS: mm	DWN MAHARUDRA 25NOV09	MATERIAL -	FINISH -
TOLERANCES UNLESS OTHERWISE SPECIFIED:	CHK ALLAN.P 25NOV09	Tyco Electronics Corporation Dorcan, Swindon, SN3 5HH	
0 PLC ±0.2 1 PLC ±0.1 2 PLC ± 3 PLC ± 4 PLC ± ANGLES ±5°	APVD STEPHEN.P 25NOV09	NAME PROFESSIONAL TRIMMERS SERIES 4275X	
	PRODUCT SPEC -	SIZE A 4	RESTRICTED TO -
	APPLICATION SPEC -	CAGE CODE 00779	DRAWING NO C-1623902
	WEIGHT -	SCALE 5:1 SHEET 1 OF 1 REV BA	
CUSTOMER DRAWING			