



Chipsmall Limited consists of a professional team with an average of over 10 year of expertise in the distribution of electronic components. Based in Hongkong, we have already established firm and mutual-benefit business relationships with customers from,Europe,America and south Asia,supplying obsolete and hard-to-find components to meet their specific needs.

With the principle of “Quality Parts,Customers Priority,Honest Operation,and Considerate Service”,our business mainly focus on the distribution of electronic components. Line cards we deal with include Microchip,ALPS,ROHM,Xilinx,Pulse,ON,Everlight and Freescale. Main products comprise IC,Modules,Potentiometer,IC Socket,Relay,Connector.Our parts cover such applications as commercial,industrial, and automotives areas.

We are looking forward to setting up business relationship with you and hope to provide you with the best service and solution. Let us make a better world for our industry!



Contact us

Tel: +86-755-8981 8866 Fax: +86-755-8427 6832

Email & Skype: info@chipsmall.com Web: www.chipsmall.com

Address: A1208, Overseas Decoration Building, #122 Zhenhua RD., Futian, Shenzhen, China



THIS DRAWING IS UNPUBLISHED.
PLANO NO PUBLICADO

RELEASED FOR PUBLICATION
LIBRE DE SER PUBLICADO

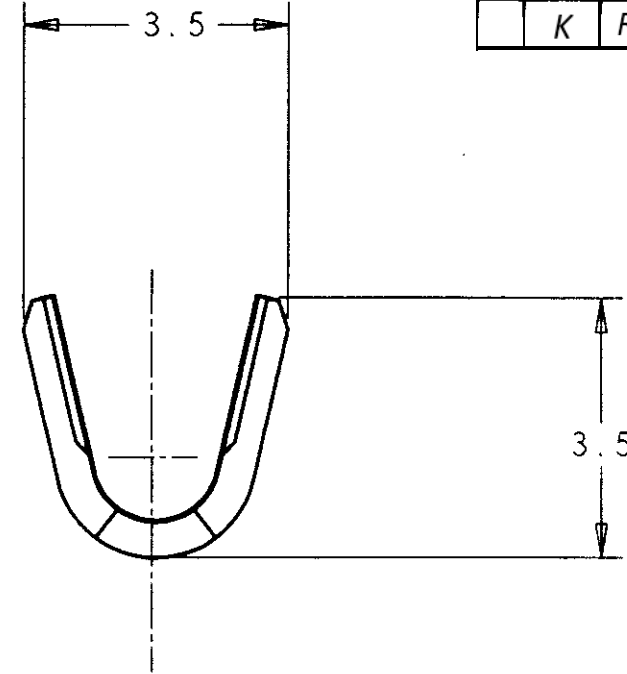
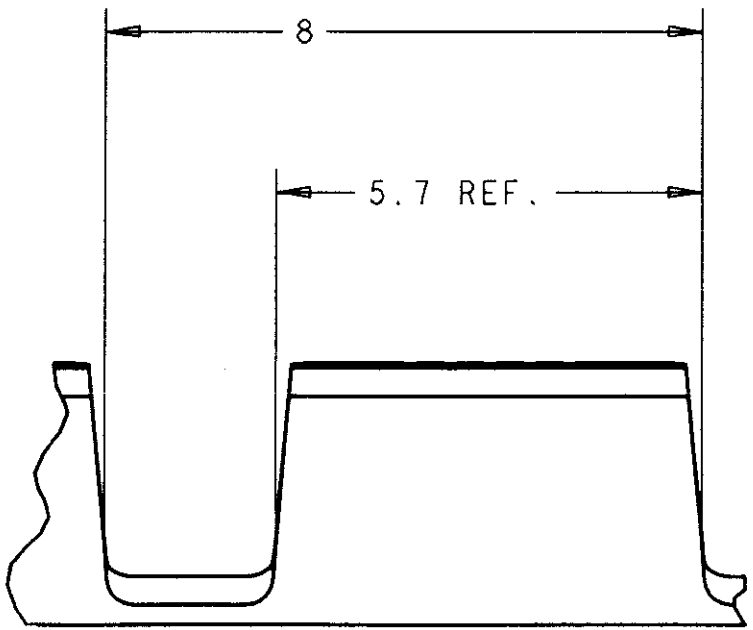
© COPYRIGHT 1996

BY AMP INCORPORATED. ALL RIGHTS RESERVED. TODOS LOS DERECHOS RESERVADOS.
LOS PRODUCTOS AMP ESTAN CUBIERTOS POR PATENTES ACTUALES O PENDIENTES

LOC AL
DIST 2

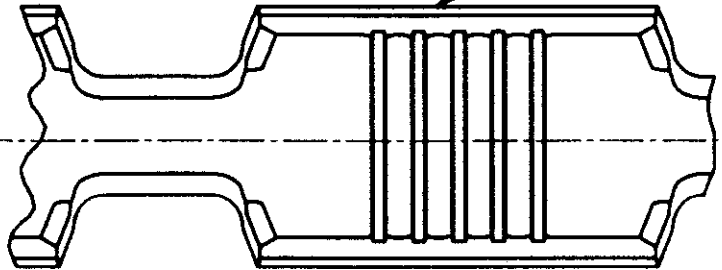
REVISIONS
REVISIONES

| F | LTR | DESCRIPTION DESCRIPCION | DATE FECHA | DWN DIB | APVD APR |
|---|-----|-------------------------------------|---------------|------------|-------------|
| | G | REVISADO POR ES00-0007-96 | 20FEB96 | JL | LB |
| | H | AÑADIDO GUIONES 1-1Y1-2 (ES00-0021) | 23ABR97 | JL | |
| | J | ES00-0023-99 | 5-1-00 | J.C. | |
| | K | REVISE PER ECR-13-013738 | 15FEB2014 | GRZ | JL |



SCALE 2:1

5 RANURAS AMPLIVAR
5 AMPLIVAR SERRATIONS



| | | | |
|----------|--------------|-------------|-----------|
| OBSOLETE | TIN/ESTAÑADO | BRASS/LATON | 1-42778-2 |
| OBSOLETE | --- | BRASS LATON | 1-42778-1 |
| | TIN/ESTAÑADO | BRASS/LATON | 42778-2 |
| | ----- | BRASS/LATON | 42778-1 |
| | FINISH | MATERIAL | PART N° |

| | | | | | |
|--|--|---|--|--|--|
| <p>THIS DRAWING IS A CONTROLLED DOCUMENT FOR AMP INCORPORATED. IT IS SUBJECT TO CHANGE AND THE CONTROLLING ENGINEERING ORGANIZATION SHOULD BE CONTACTED FOR THE LATEST REVISION. ESTE PLANO ES UN DOCUMENTO CONTROLADO DE AMP INCORPORATED Y PUEDE SER MODIFICADO PARA LA ULTIMA REVISION. CONTACTAR CON LA ORGANIZACION DE CONTROL DE INGENIERIA.</p> | | <p>DWN /DIB J. LAZARO 20-FEB-96</p> | | <p>AMP AMP Espanola S.A. Barcelona, Spain.</p> | |
| <p>DIMENSIONS: DIMENSIONES MM</p> | | <p>TOLERANCES UNLESS OTHERWISE SPECIFIED: TOLERANCIAS POR OMISION</p> | | <p>CHK /COMP L. BATLLO 20-FEB-96</p> | |
| <p>MATERIAL SEE TABLE THK. 0.50 mm ESPESOR 0.50 mm</p> | | <p>FINISH ACABADO SEE TABLE</p> | | <p>APVD /APR L. BATLLO 20-FEB-96</p> | |
| <p>0 PLC /LUG ±</p> | | <p>1 PLC /LUG ±0.3</p> | | <p>NAME TITULO AMPLIVAR SLICE 5 SERRATIONS AMPLIVAR 5 RANURAS (600-3000 CMA)</p> | |
| <p>2 PLC /LUG ±0.3</p> | | <p>3 PLC /LUG ±0.</p> | | <p>PRODUCT SPEC ESPEC PRODUCTO 108-22039</p> | |
| <p>4 PLC /LUG ±0.</p> | | <p>ANGLES /ANGULOS ±</p> | | <p>APPLICATION SPEC ESPEC APLICACION 114-2008</p> | |
| <p>WEIGHT PESO</p> | | <p>SIZE TAM A3</p> | | <p>CAGE CODE CODIGO 00779</p> | |
| <p>CUSTOMER DRAWING /PLANO DE CLIENTE</p> | | <p>DRAWING NO PLANO NO C-42778</p> | | <p>SCALE ESCALA 0:1</p> | |
| <p>SHEET HOJA 1</p> | | <p>OF DE 1</p> | | <p>REV K</p> | |