



Chipsmall Limited consists of a professional team with an average of over 10 year of expertise in the distribution of electronic components. Based in Hongkong, we have already established firm and mutual-benefit business relationships with customers from,Europe,America and south Asia,supplying obsolete and hard-to-find components to meet their specific needs.

With the principle of “Quality Parts,Customers Priority,Honest Operation,and Considerate Service”,our business mainly focus on the distribution of electronic components. Line cards we deal with include Microchip,ALPS,ROHM,Xilinx,Pulse,ON,Everlight and Freescale. Main products comprise IC,Modules,Potentiometer,IC Socket,Relay,Connector.Our parts cover such applications as commercial,industrial, and automotives areas.

We are looking forward to setting up business relationship with you and hope to provide you with the best service and solution. Let us make a better world for our industry!



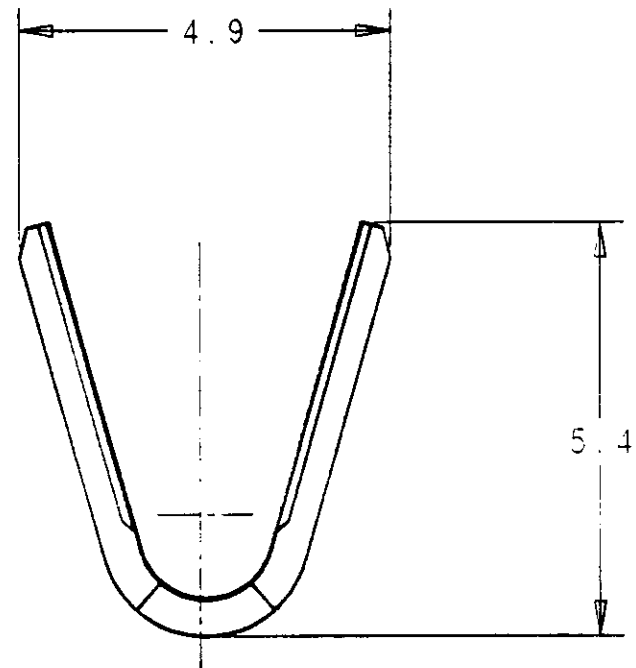
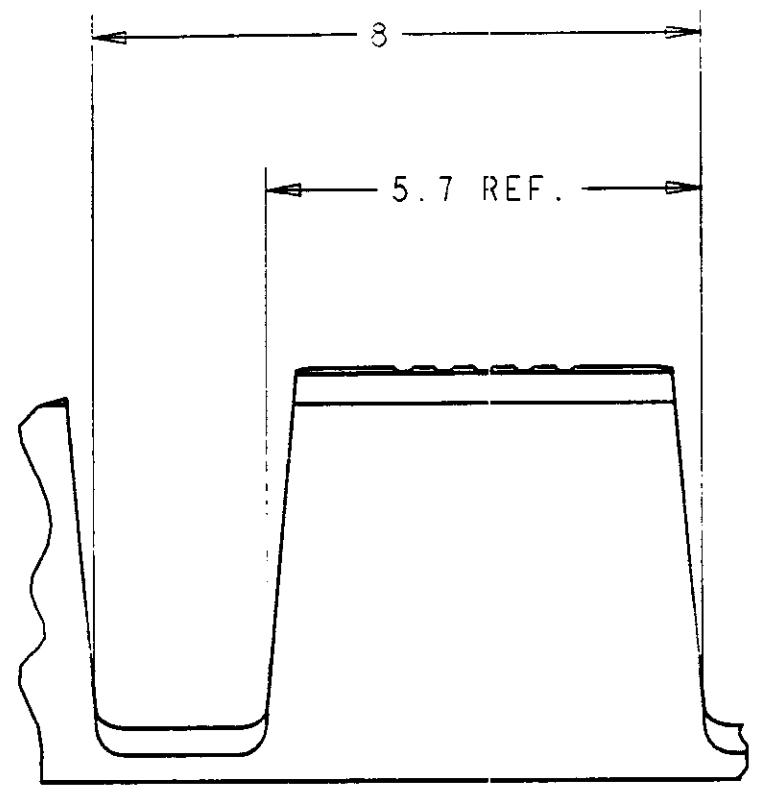
Contact us

Tel: +86-755-8981 8866 Fax: +86-755-8427 6832

Email & Skype: info@chipsmall.com Web: www.chipsmall.com

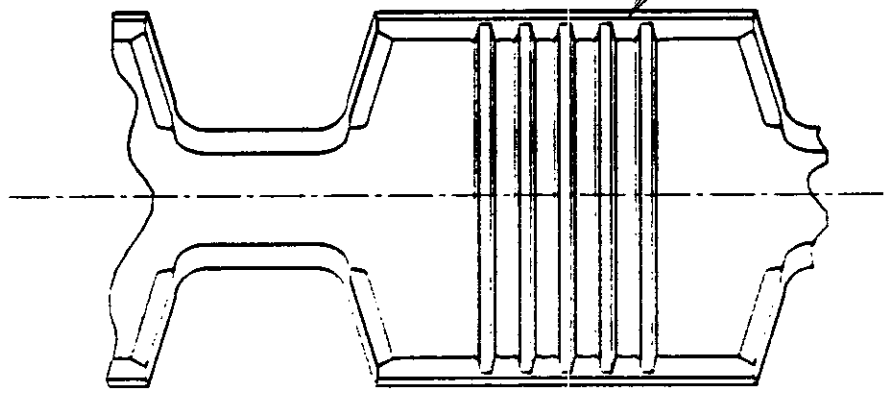
Address: A1208, Overseas Decoration Building, #122 Zhenhua RD., Futian, Shenzhen, China





SCALE 2

5 RANURAS AMPLIVAR
 5 AMPLIVAR SERRATIONS



FIN ESTANADO	BRASS/LATON	42779-2
-----	BRASS/LATON	42779-1
FINISH	MATERIAL	PART N°

THIS DRAWING IS A CONTROLLED DOCUMENT OF AMP INCORPORATED. IT IS SUBJECT TO CHANGE AND THE CONTROLLING ENGINEERING ORGANIZATION SHOULD BE CONTACTED FOR THE LATEST EDITION. ESTE PLANO ES UN DOCUMENTO CONTROLADO DE AMP INCORPORATED. PUEDE SER MODIFICADO PARA LA ÚLTIMA VERSIÓN. CONTACTAR CON LA ORGANIZACIÓN DE CONTROL DE INGENIERÍA		OWN DIB 20-FEB-96 DRAWN 20-FEB-96 CHK COMP 20-FEB-96 APVD APP 20-FEB-96	AMP AMP Espanola S.A. Barcelona, Esp.
DIMENSIONS DIMENSIONES mm	TOLERANCES UNLESS OTHERWISE SPECIFIED TOLERANCIAS POR DIMENSION	PRODUCT SPEC ESPEC PRODUCTO 103-22039	NAME TÍTULO AMPLIVAR SPLICE 5 SERRATIONS AMPLIVAR 5 RANURAS (3000-7000 CMA)
MATERIAL SEE TABLE THK 0.50 mm ESPESOR 0.50 mm	FINISH ACABADO SEE TABLE	APPLICATION SPEC ESPEC APLICACION 114-2008	SIZE TAM A3 CAGE CODE CODIGO 00779 DRAWING NO PLANO NO C-42779
CUSTOMER DRAWING / PLANO DE CLIENTE		SCALE ESCALA 0.1	SHEET HOJA 1 OF DE 1 REV 4