



Chipsmall Limited consists of a professional team with an average of over 10 year of expertise in the distribution of electronic components. Based in Hongkong, we have already established firm and mutual-benefit business relationships with customers from,Europe,America and south Asia,supplying obsolete and hard-to-find components to meet their specific needs.

With the principle of "Quality Parts,Customers Priority,Honest Operation,and Considerate Service",our business mainly focus on the distribution of electronic components. Line cards we deal with include Microchip,ALPS,ROHM,Xilinx,Pulse,ON,Everlight and Freescale. Main products comprise IC,Modules,Potentiometer,IC Socket,Relay,Connector.Our parts cover such applications as commercial,industrial, and automotives areas.

We are looking forward to setting up business relationship with you and hope to provide you with the best service and solution. Let us make a better world for our industry!



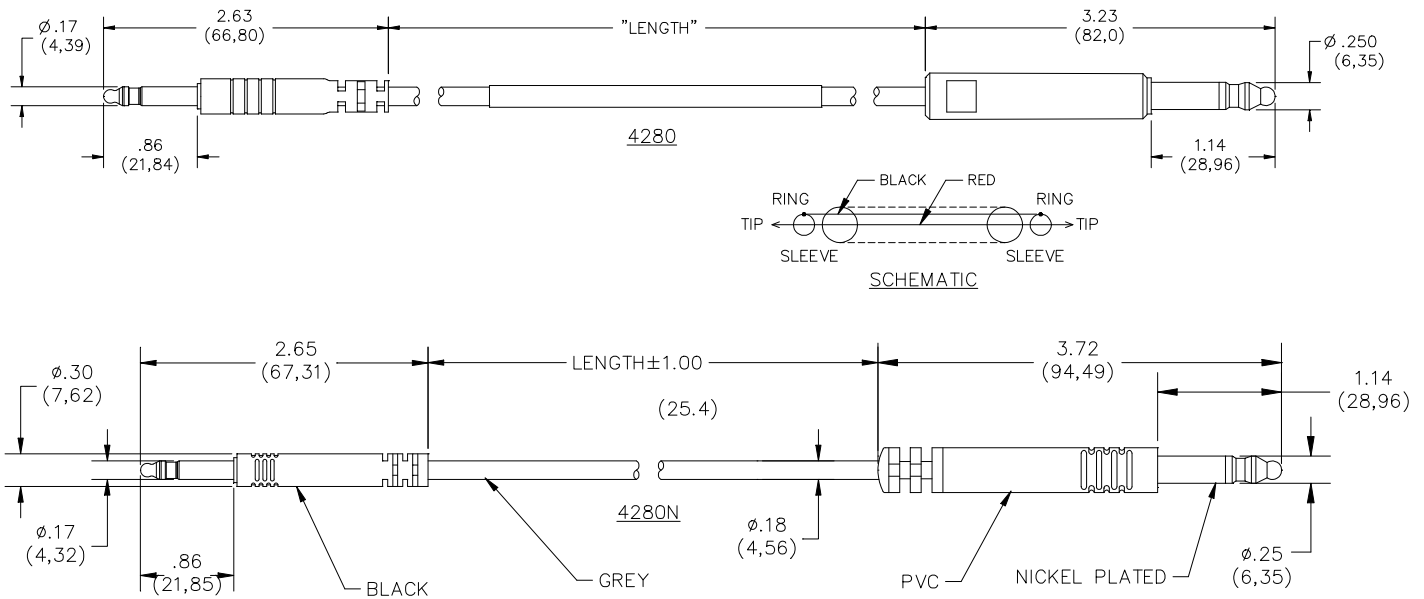
## Contact us

Tel: +86-755-8981 8866 Fax: +86-755-8427 6832

Email & Skype: info@chipsmall.com Web: www.chipsmall.com

Address: A1208, Overseas Decoration Building, #122 Zhenhua RD., Futian, Shenzhen, China





### FEATURES:

- Shielded cable to reduce noise
- WE-310 and Bantam Plugs molded to the cable for optimum durability

### MATERIALS:

Plugs – (4280) Brass, unplated

(4280N) Brass, nickel plated

Cable – 2 Conductor shielded twisted pair, PVC jacket and insulation

### RATINGS:

Operating Voltage: 300 VRMS Max.

Operating Temperature: +50°C to (+122°F) Max.

Current: 3.36 Amperes @ 25°C

Nominal Capacitance Shield Conductors: 720pf

Nominal Capacitance Between Conductors: 420pf

### ORDERING INFORMATION: XX = Length in inches

Model 4280-XX Standard Lengths 48" (1219 mm), 60" (1520 mm)

4280N-XX Standard Lengths 36" (914 mm)

All dimensions are in inches. Tolerances (except noted): .xx = ±.02" (.51 mm), .xxx = ±.005" (.127 mm).

All specifications are to the latest revisions. Specifications are subject to change without notice.

Registered trademarks are the property of their respective companies. Made in USA