



Chipsmall Limited consists of a professional team with an average of over 10 year of expertise in the distribution of electronic components. Based in Hongkong, we have already established firm and mutual-benefit business relationships with customers from,Europe,America and south Asia,supplying obsolete and hard-to-find components to meet their specific needs.

With the principle of “Quality Parts,Customers Priority,Honest Operation,and Considerate Service”,our business mainly focus on the distribution of electronic components. Line cards we deal with include Microchip,ALPS,ROHM,Xilinx,Pulse,ON,Everlight and Freescale. Main products comprise IC,Modules,Potentiometer,IC Socket,Relay,Connector.Our parts cover such applications as commercial,industrial, and automotives areas.

We are looking forward to setting up business relationship with you and hope to provide you with the best service and solution. Let us make a better world for our industry!



## Contact us

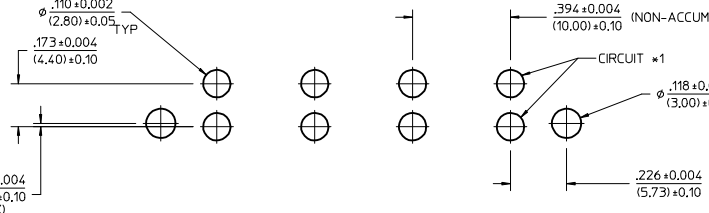
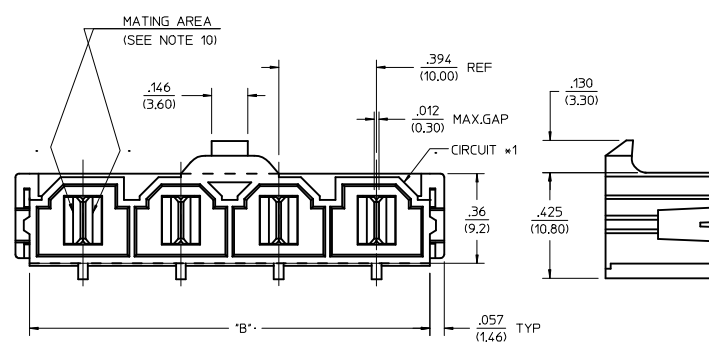
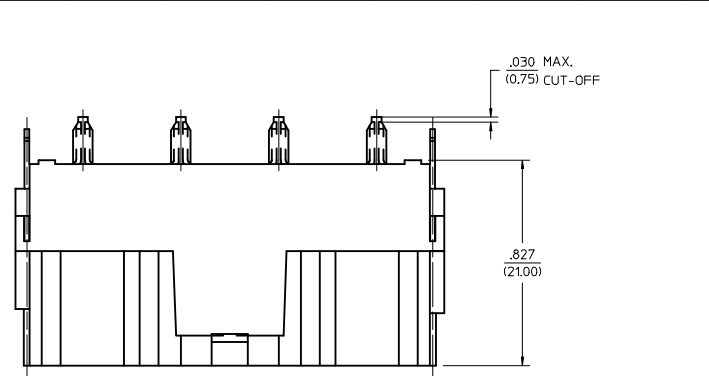
Tel: +86-755-8981 8866 Fax: +86-755-8427 6832

Email & Skype: info@chipsmall.com Web: www.chipsmall.com

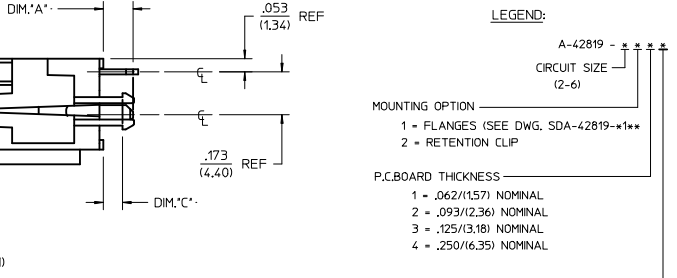
Address: A1208, Overseas Decoration Building, #122 Zhenhua RD., Futian, Shenzhen, China



| ITEM NUMBER | CKT. SIZE | DIM. "A"    | DIM. "B"      | DIM. "C"    | TERMINAL PLATING                           | CLIP PLATING | STATUS |
|-------------|-----------|-------------|---------------|-------------|--|--------------|--------|
| 42819-2213  | 2         | .138/(3.50) | .823/(20.90)  | .071/(1.80) |  |              |        |
| 42819-2223  | 2         | .201/(5.10) | .823/(20.90)  | .102/(2.60) |  |              |        |
| 42819-2233  | 2         | .201/(5.10) | .823/(20.90)  | .134/(3.40) |  |              |        |
| 42819-2243  | 2         | .327/(8.30) | .823/(20.90)  | .259/(6.58) |  |              |        |
| 42819-3213  | 3         | .138/(3.50) | 1.216/(30.90) | .071/(1.80) |  |              |        |
| 42819-3223  | 3         | .201/(5.10) | 1.216/(30.90) | .102/(2.60) |  |              |        |
| 42819-3233  | 3         | .201/(5.10) | 1.216/(30.90) | .134/(3.40) |  |              |        |
| 42819-3243  | 3         | .327/(8.30) | 1.216/(30.90) | .259/(6.58) | SELECT GOLD IN CONTACT AREA (SEE LEGEND)   |              | ACTIVE |
| 42819-4213  | 4         | .138/(3.50) | 1.610/(40.90) | .071/(1.80) |  |              |        |
| 42819-4223  | 4         | .201/(5.10) | 1.610/(40.90) | .102/(2.60) |  |              |        |
| 42819-4233  | 4         | .201/(5.10) | 1.610/(40.90) | .134/(3.40) |  |              |        |
| 42819-4243  | 4         | .327/(8.30) | 1.610/(40.90) | .259/(6.58) | SELECT MATTE TIN ON SOLDER TAILS           |              |        |
| 42819-5213  | 5         | .138/(3.50) | 2.004/(50.90) | .071/(1.80) |  |              |        |
| 42819-5223  | 5         | .201/(5.10) | 2.004/(50.90) | .102/(2.60) |  |              |        |
| 42819-5233  | 5         | .201/(5.10) | 2.004/(50.90) | .134/(3.40) |  |              |        |
| 42819-5243  | 5         | .327/(8.30) | 2.004/(50.90) | .259/(6.58) |  |              |        |
| 42819-6213  | 6         | .138/(3.50) | 2.398/(60.90) | .071/(1.80) |  |              |        |
| 42819-6223  | 6         | .201/(5.10) | 2.398/(60.90) | .102/(2.60) |  |              |        |
| 42819-6233  | 6         | .201/(5.10) | 2.398/(60.90) | .134/(3.40) |  |              |        |
| 42819-6243  | 6         | .327/(8.30) | 2.398/(60.90) | .259/(6.58) | SELECT SILVER IN CONTACT AREA (SEE LEGEND) |              | ACTIVE |
| 42819-2214  | 2         | .138/(3.50) | .823/(20.90)  | .071/(1.80) |  |              |        |
| 42819-2224  | 2         | .201/(5.10) | .823/(20.90)  | .102/(2.60) |  |              |        |
| 42819-2234  | 2         | .201/(5.10) | .823/(20.90)  | .134/(3.40) |  |              |        |
| 42819-2244  | 2         | .327/(8.30) | .823/(20.90)  | .259/(6.58) |  |              |        |
| 42819-3214  | 3         | .138/(3.50) | 1.216/(30.90) | .071/(1.80) |  |              |        |
| 42819-3224  | 3         | .201/(5.10) | 1.216/(30.90) | .102/(2.60) |  |              |        |
| 42819-3234  | 3         | .201/(5.10) | 1.216/(30.90) | .134/(3.40) |  |              |        |
| 42819-3244  | 3         | .327/(8.30) | 1.216/(30.90) | .259/(6.58) | SELECT MATTE TIN ON SOLDER TAILS           |              |        |
| 42819-4214  | 4         | .138/(3.50) | 1.610/(40.90) | .071/(1.80) |  |              |        |
| 42819-4224  | 4         | .201/(5.10) | 1.610/(40.90) | .102/(2.60) |  |              |        |
| 42819-4234  | 4         | .201/(5.10) | 1.610/(40.90) | .134/(3.40) |  |              |        |
| 42819-4244  | 4         | .327/(8.30) | 1.610/(40.90) | .259/(6.58) |  |              |        |
| 42819-5214  | 5         | .138/(3.50) | 2.004/(50.90) | .071/(1.80) |  |              |        |
| 42819-5224  | 5         | .201/(5.10) | 2.004/(50.90) | .102/(2.60) |  |              |        |
| 42819-5234  | 5         | .201/(5.10) | 2.004/(50.90) | .134/(3.40) |  |              |        |
| 42819-5244  | 5         | .327/(8.30) | 2.004/(50.90) | .259/(6.58) |  |              |        |
| 42819-6214  | 6         | .138/(3.50) | 2.398/(60.90) | .071/(1.80) |  |              |        |
| 42819-6224  | 6         | .201/(5.10) | 2.398/(60.90) | .102/(2.60) |  |              |        |
| 42819-6234  | 6         | .201/(5.10) | 2.398/(60.90) | .134/(3.40) |  |              |        |
| 42819-6244  | 6         | .327/(8.30) | 2.398/(60.90) | .259/(6.58) |  |              |        |

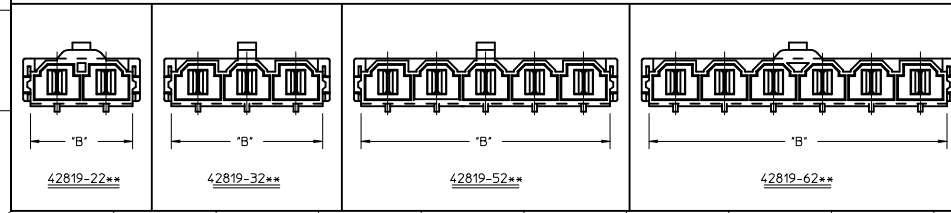


**NOTES:**  
1) MATERIAL:  
HOUSING MATERIAL: 30%GLASS-FILLED NYLON4/6. UL 94V-0. COLOR: BLACK.  
TERMINAL MATERIAL: ALLOY 151.  
2) FINISH: 2 = .000100/(.00254) MIN. +TIN OVER .000050/(.00127) MIN. NICKEL.  
3 = .000030/(.00076) MIN. SELECT GOLD IN CONTACT AREA. .000100/(.00254) MIN. SELECT +TIN ON SOLDER TAILS OVER .000050/(.00127) MIN.NICKEL.  
4 = .000100/(.00254) MIN. SELECT SILVER IN CONTACT AREA .000100/(.00254) MIN. SELECT TIN ON SOLDER TAILS OVER .000050/(.00127) MIN. NICKEL.  
\* THE PRIMARY SHIPPING CARTON WILL BE LABELED "COMPLAINT TO ROHS DIRECTIVE 2002/95/EC AND ELV ANNEX II OF DIRECTIVE 2000/53/EC". CARTONS WITHOUT THIS LABEL MAY CONTAIN PRODUCT WITH TIN-LEAD.  
3) PRODUCT SPECIFICATION: PS-42819-001  
4) PACKAGING INFORMATION: PK-42819-2375  
5) PART MATES WITH MOLEX RECEPTACLE #42816-\*\*\*2 WITH T.P.A.  
6) PART IS DESIGNED IN METRIC.  
7) AN "X" IN FRONT OF THE ITEM NUMBER INDICATES THE PART IS NOT TOOLED.  
8) THIS PART MEETS UL1950 REQUIREMENTS FOR CREEPAGE AND CLEARANCE AT 600 VAC AND 840 VDC.  
9) PARTS ARE NOT TO BE MATED OR UNMATED WHERE CIRCUITS ARE LIVE.  
10) WHEN USING OVERALL TIN PLATED TERMINALS: FOR APPLICATIONS INVOLVING VIBRATION AND/OR THERMAL CYCLING, MOLEX STRONGLY RECOMMENDS THE USE OF NYE LUBRICANT (NYOGEL 7600) ON THE MATING SURFACES OF THE TERMINAL.  
11) PARTS CONFORMS TO CLASS 'B' REQUIREMENTS OF COSMETIC SPECIFICATION PS-45499-002  
12) BOARD CLIP HOLE MAY OR MAY NOT BE PLATED. REFER TO CHART FOR PLATED / UNPLATED CLIPS.  
13) REFER AS-42815-001 FOR TIN PLATED TERMINALS RECOMMENDED LUBRICATION PROCEDURE.



RECOMMENDED P.C. BOARD PLATED-THRU HOLE LAYOUT (4 CKT.SHOWN FOR REF.)

HEADER WITH VERTICAL TERMINAL & CLIP ISO VIEW



|   |                 |                                       |                 |       |              |   |
|---|-----------------|---------------------------------------|-----------------|-------|--------------|---|
| NEW SILVER PLATING<br>ELECT. CONDUCTIVE<br>E/C<br>REV: 01<br>DATE: 2015-07-25<br>DRAWN BY: CHYD<br>APPROVED BY: KPRASAD<br>DATE: 2015/02/09 | QUALITY SYMBOLS | GENERAL TOLERANCES (UNLESS SPECIFIED) | DIMENSION STYLE | SCALE | DESIGN UNITS | THIRD ANGLE PROJECTION  |
|   | ▽=0             | 4 PLACES ±--- ±---                    | IN/MM           | 4:1   | METRIC       | DRAWN BY: GES<br>DATE: 2014/02/12<br>CHECKED BY: BRO2<br>DATE: 2014/02/13<br>APPROVED BY: KPRASAD<br>DATE: 2015/02/09         |
|   | ▽=0             | 3 PLACES ±--- ±---                    |                 |       |              | VERTICAL HEADER ASSEMBLY<br>MINIFIT SR. SERIES<br><b>molex</b>  |
|   | ▽=0             | 2 PLACES ±0.25 ±---                   |                 |       |              | MATERIAL NO. SDA-42819-0002<br>DOCUMENT NO. SDA-42819-0002<br>SHEET NO. 1 OF 2  |
|   |                 | 1 PLACE ±0.4 ±---                     |                 |       |              | THIS DRAWING CONTAINS INFORMATION THAT IS PROPRIETARY TO MOLEX INCORPORATED AND SHOULD NOT BE USED WITHOUT WRITTEN PERMISSION |
|   |                 | 0 PLACE ±--- ±---                     |                 |       |              |   |

|   | 20          | 19        | 18          | 17            | 16          | 15                 | 14           | 13                       | 12 | 11 | 10 | 9 | 8 | 7 | 6 | 5 | 4 | 3 | 2 | 1 |
|---|-------------|-----------|-------------|---------------|-------------|--------------------|--------------|--------------------------|----|----|----|---|---|---|---|---|---|---|---|---|
|   | ITEM NUMBER | CKT. SIZE | DIM. "A"    | DIM. "B"      | DIM. "C"    | TERMINAL PLATING   | CLIP PLATING | STATUS                   |    |    |    |   |   |   |   |   |   |   |   |   |
| M | 42819-2212  | 2         | .138/(3.50) | .823/(20.90)  | .071/(1.80) |                    |              | PLANNED FOR OBSOLESCENCE |    |    |    |   |   |   |   |   |   |   |   |   |
|   | 42819-2222  | 2         | .201/(5.10) | .823/(20.90)  | .102/(2.60) |                    |              |                          |    |    |    |   |   |   |   |   |   |   |   |   |
|   | 42819-2229  | 2         | .201/(5.10) | .823/(20.90)  | .102/(2.60) |                    |              |                          |    |    |    |   |   |   |   |   |   |   |   |   |
|   | 42819-2232  | 2         | .201/(5.10) | .823/(20.90)  | .134/(3.40) |                    |              |                          |    |    |    |   |   |   |   |   |   |   |   |   |
|   | 42819-2242  | 2         | .327/(8.30) | .823/(20.90)  | .259/(6.58) |                    |              |                          |    |    |    |   |   |   |   |   |   |   |   |   |
| L | 42819-3212  | 3         | .138/(3.50) | 1.216/(30.90) | .071/(1.80) |                    |              |                          |    |    |    |   |   |   |   |   |   |   |   |   |
|   | 42819-3222  | 3         | .201/(5.10) | 1.216/(30.90) | .102/(2.60) |                    |              |                          |    |    |    |   |   |   |   |   |   |   |   |   |
|   | 42819-3232  | 3         | .201/(5.10) | 1.216/(30.90) | .134/(3.40) |                    |              |                          |    |    |    |   |   |   |   |   |   |   |   |   |
|   | 42819-3242  | 3         | .327/(8.30) | 1.216/(30.90) | .259/(6.58) |                    |              |                          |    |    |    |   |   |   |   |   |   |   |   |   |
|   | 42819-4212  | 4         | .138/(3.50) | 1.610/(40.90) | .071/(1.80) | OVERALL BRIGHT TIN | NONE         |                          |    |    |    |   |   |   |   |   |   |   |   |   |
|   | 42819-4222  | 4         | .201/(5.10) | 1.610/(40.90) | .102/(2.60) |                    |              |                          |    |    |    |   |   |   |   |   |   |   |   |   |
|   | 42819-4232  | 4         | .201/(5.10) | 1.610/(40.90) | .134/(3.40) |                    |              |                          |    |    |    |   |   |   |   |   |   |   |   |   |
|   | 42819-4242  | 4         | .327/(8.30) | 1.610/(40.90) | .259/(6.58) |                    |              |                          |    |    |    |   |   |   |   |   |   |   |   |   |
| K | 42819-5212  | 5         | .138/(3.50) | 2.004/(50.90) | .071/(1.80) |                    |              |                          |    |    |    |   |   |   |   |   |   |   |   |   |
|   | 42819-5222  | 5         | .201/(5.10) | 2.004/(50.90) | .102/(2.60) |                    |              |                          |    |    |    |   |   |   |   |   |   |   |   |   |
|   | 42819-5232  | 5         | .201/(5.10) | 2.004/(50.90) | .134/(3.40) |                    |              |                          |    |    |    |   |   |   |   |   |   |   |   |   |
|   | 42819-5242  | 5         | .327/(8.30) | 2.004/(50.90) | .259/(6.58) |                    |              |                          |    |    |    |   |   |   |   |   |   |   |   |   |
| J | 42819-6212  | 6         | .138/(3.50) | 2.398/(60.90) | .071/(1.80) |                    |              |                          |    |    |    |   |   |   |   |   |   |   |   |   |
|   | 42819-6222  | 6         | .201/(5.10) | 2.398/(60.90) | .102/(2.60) |                    |              |                          |    |    |    |   |   |   |   |   |   |   |   |   |
|   | 42819-6232  | 6         | .201/(5.10) | 2.398/(60.90) | .134/(3.40) |                    |              |                          |    |    |    |   |   |   |   |   |   |   |   |   |
| I | 42819-6242  | 6         | .327/(8.30) | 2.398/(60.90) | .259/(6.58) |                    |              |                          |    |    |    |   |   |   |   |   |   |   |   |   |

|  |  |                                       |                    |  |              |                        |
|--|--|---------------------------------------|--------------------|--|--------------|------------------------|
| <b>SEE SHEET 1</b><br>EEC NO: UCP2015-2752<br>DRAWN BY: 2014/02/12<br>CHKD: E8<br>APPR: KPRASAD 2015/02/09 | QUALITY SYMBOLS                                      | GENERAL TOLERANCES (UNLESS SPECIFIED) | DIMENSION STYLE    | SCALE  | DESIGN UNITS | THIRD ANGLE PROJECTION |
|  | ▽=0  | 4 PLACES ± mm INCH                    | IN/MM              | 1:2  | METRIC       | ☉                      |
|  | ▽=0  | 3 PLACES ± 0.25                       | DRAWN BY DATE      | VERTICAL HEADER ASSEMBLY<br>MINIFIT SR. SERIES<br><b>molex</b>   |              |                        |
|  | ▽=0  | 2 PLACES ± 0.4                        | CHECKED BY DATE    | MATERIAL NO. SDA-42819-0002<br>DOCUMENT NO. SDA-42819-0002<br>SHEET NO. 2 OF 2   |              |                        |
|  | 1 PLACE ±  | 1 PLACE ±                             | APPROVED BY DATE   | THIS DRAWING CONTAINS INFORMATION THAT IS PROPRIETARY TO MOLEX<br>INCORPORATED AND SHOULD NOT BE USED WITHOUT WRITTEN PERMISSION |              |                        |
|  | 0 PLACE ±  | 0 PLACE ±                             | KPRASAD 2015/02/09 |  |              |                        |
|  | ANGULAR ±1/2°  |                                       | SIZE D             |  |              |                        |
|  | DRAFT WHERE APPLICABLE MUST REMAIN WITHIN DIMENSIONS |                                       |                    |  |              |                        |