



Chipsmall Limited consists of a professional team with an average of over 10 year of expertise in the distribution of electronic components. Based in Hongkong, we have already established firm and mutual-benefit business relationships with customers from,Europe,America and south Asia,supplying obsolete and hard-to-find components to meet their specific needs.

With the principle of “Quality Parts,Customers Priority,Honest Operation,and Considerate Service”,our business mainly focus on the distribution of electronic components. Line cards we deal with include Microchip,ALPS,ROHM,Xilinx,Pulse,ON,Everlight and Freescale. Main products comprise IC,Modules,Potentiometer,IC Socket,Relay,Connector.Our parts cover such applications as commercial,industrial, and automotives areas.

We are looking forward to setting up business relationship with you and hope to provide you with the best service and solution. Let us make a better world for our industry!



## Contact us

Tel: +86-755-8981 8866 Fax: +86-755-8427 6832

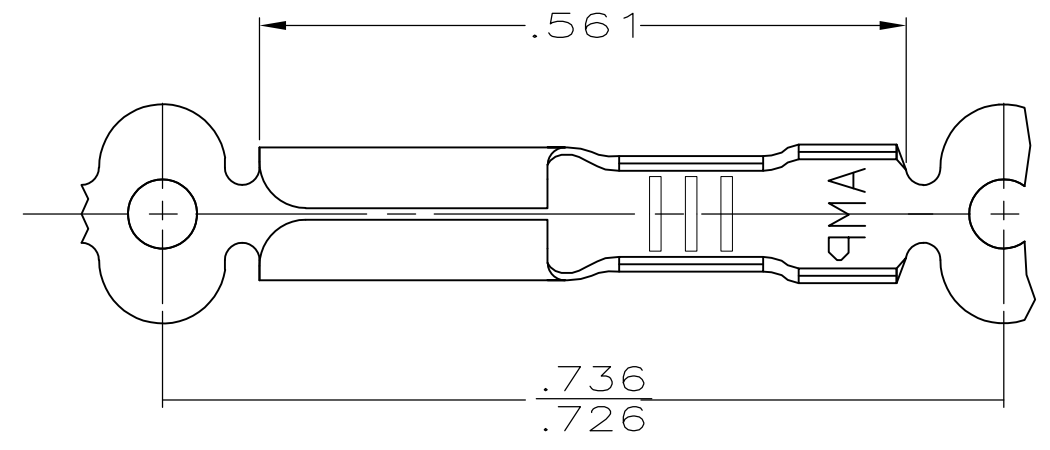
Email & Skype: info@chipsmall.com Web: www.chipsmall.com

Address: A1208, Overseas Decoration Building, #122 Zhenhua RD., Futian, Shenzhen, China

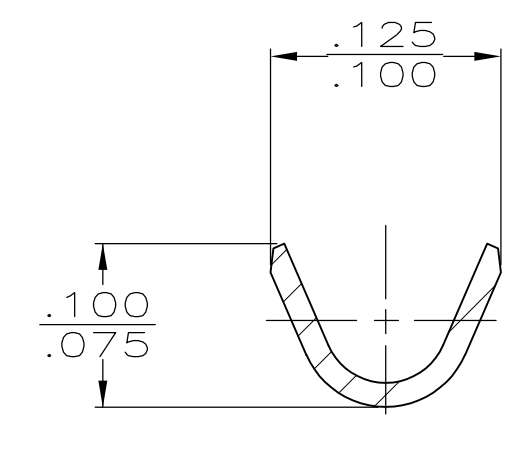
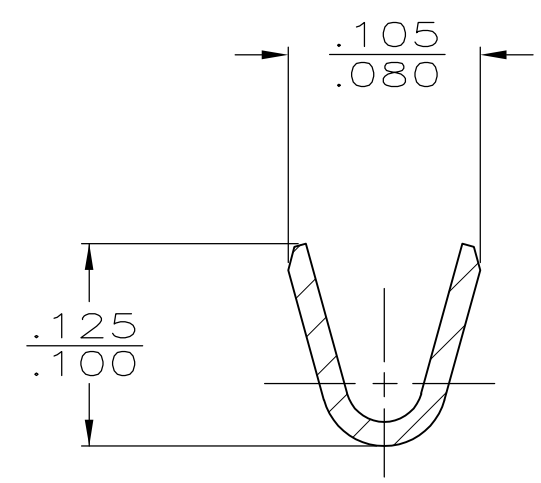
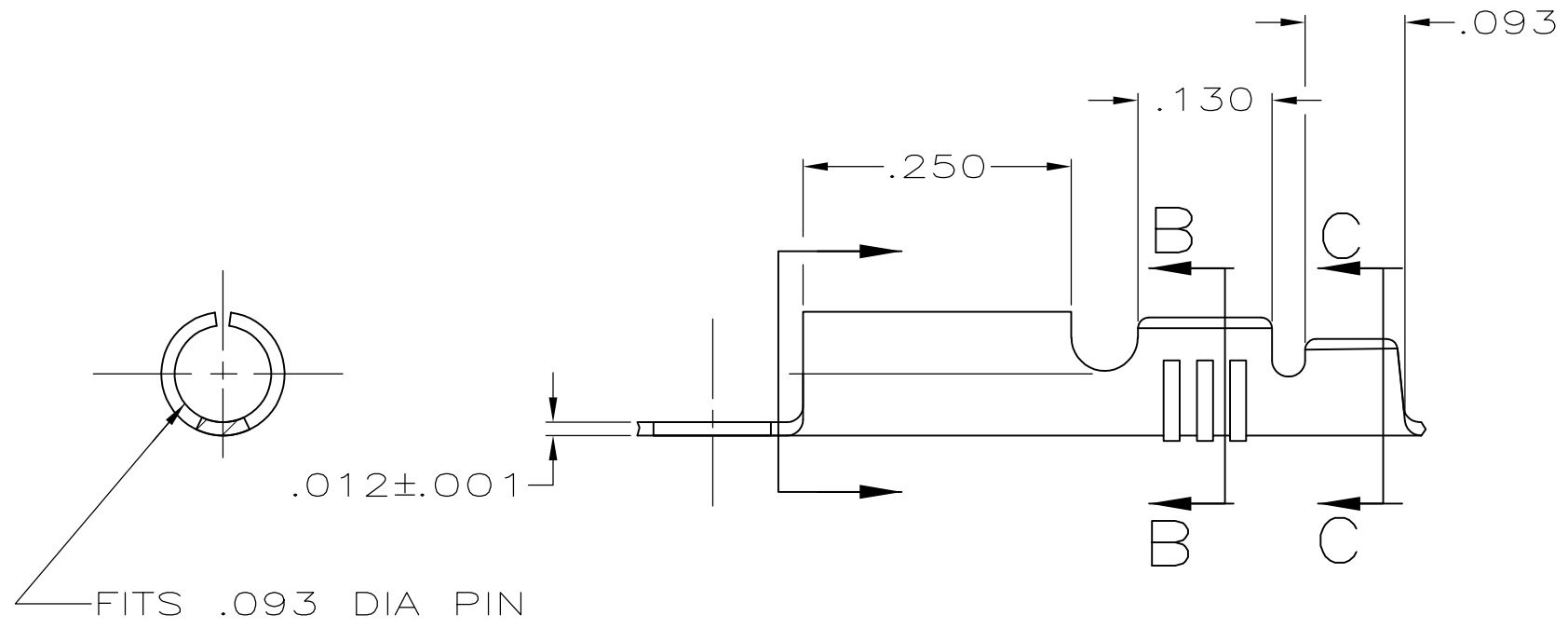


THIS DRAWING IS UNPUBLISHED. RELEASED FOR PUBLICATION  
 © COPYRIGHT BY TYCO ELECTRONICS CORPORATION. ALL INTERNATIONAL RIGHTS RESERVED.

LOC	DIST	REVISIONS			
P	LTR	DESCRIPTION	DATE	DWN	APVD
AF	50	L1	REVISED PER ECR-09-022790	200CT09	HMR DD



- 1 CONTINUOUS STRIP ON REELS.
- 2 WIRE SIZE IS #24-18 AWG
- 3 INSULATION RANGE IS .045-.085 DIA.
- △5 WITH INTERLEAVING PAPER



FINISH	MATERIAL	PART NO
.000080 MIN TIN PLATE	H04 BRASS	△5 42827-5
-	1/4 HD SST	42827-4
.000080 MIN TIN PLATE	H04 BRASS	42827-2

THIS DRAWING IS A CONTROLLED DOCUMENT.		DWN P FORTNEY 4/18/91	Tyco Electronics Corporation Harrisburg, PA 17105-3608	
DIMENSIONS: INCHES		CHK JR RUTH 4/18/91	NAME	
TOLERANCES UNLESS OTHERWISE SPECIFIED:		APVD G YETTER 4/29/91	RECEPTACLE, PIN, .093 DIA	
0 PLC ± -		PRODUCT SPEC	SIZE	
1 PLC ± -		APPLICATION SPEC	CAGE CODE	DRAWING NO
2 PLC ± -		WEIGHT	RESTRICTED TO	
3 PLC ± .015			A3	00779
4 PLC ± -			C=	42827
ANGLES ± -			SCALE	SHEET
MATERIAL SEE TABLE	FINISH SEE TABLE	CUSTOMER DRAWING	6:1	1 OF 1
			REV	L1