



Chipsmall Limited consists of a professional team with an average of over 10 year of expertise in the distribution of electronic components. Based in Hongkong, we have already established firm and mutual-benefit business relationships with customers from,Europe,America and south Asia,supplying obsolete and hard-to-find components to meet their specific needs.

With the principle of “Quality Parts,Customers Priority,Honest Operation,and Considerate Service”,our business mainly focus on the distribution of electronic components. Line cards we deal with include Microchip,ALPS,ROHM,Xilinx,Pulse,ON,Everlight and Freescale. Main products comprise IC,Modules,Potentiometer,IC Socket,Relay,Connector.Our parts cover such applications as commercial,industrial, and automotives areas.

We are looking forward to setting up business relationship with you and hope to provide you with the best service and solution. Let us make a better world for our industry!



## Contact us

Tel: +86-755-8981 8866 Fax: +86-755-8427 6832

Email & Skype: info@chipsmall.com Web: www.chipsmall.com

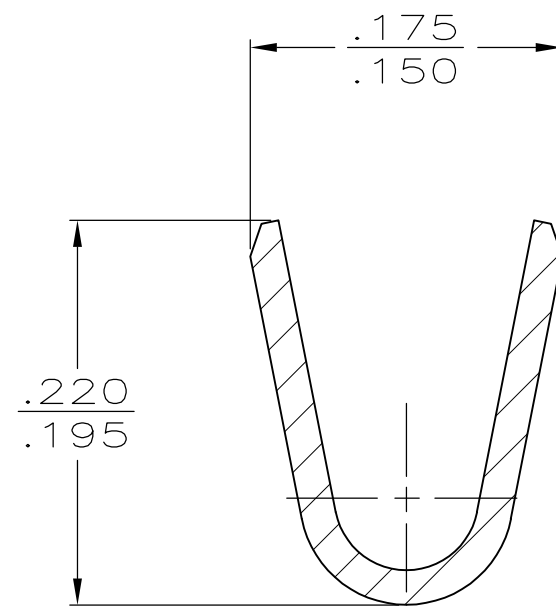
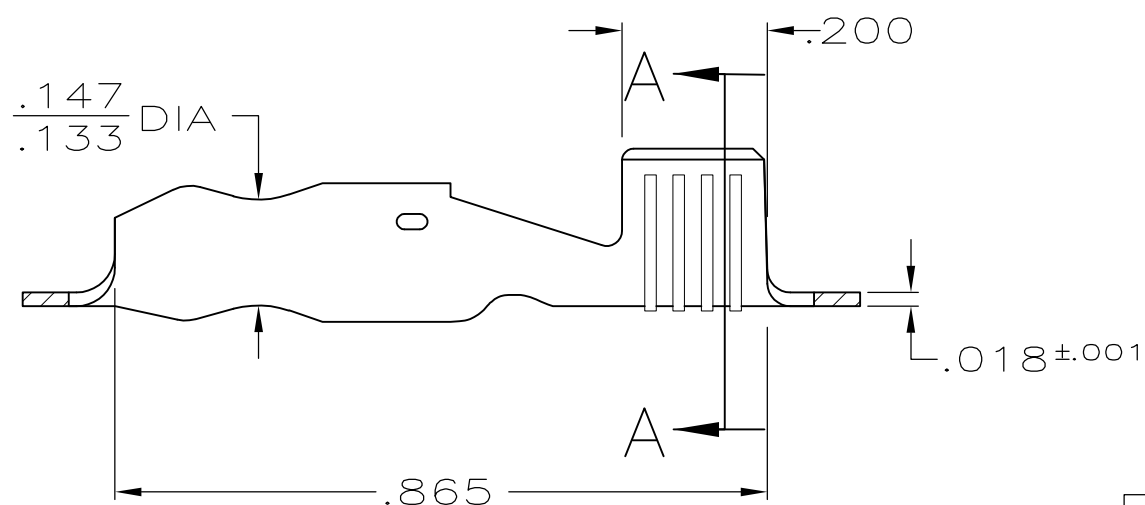
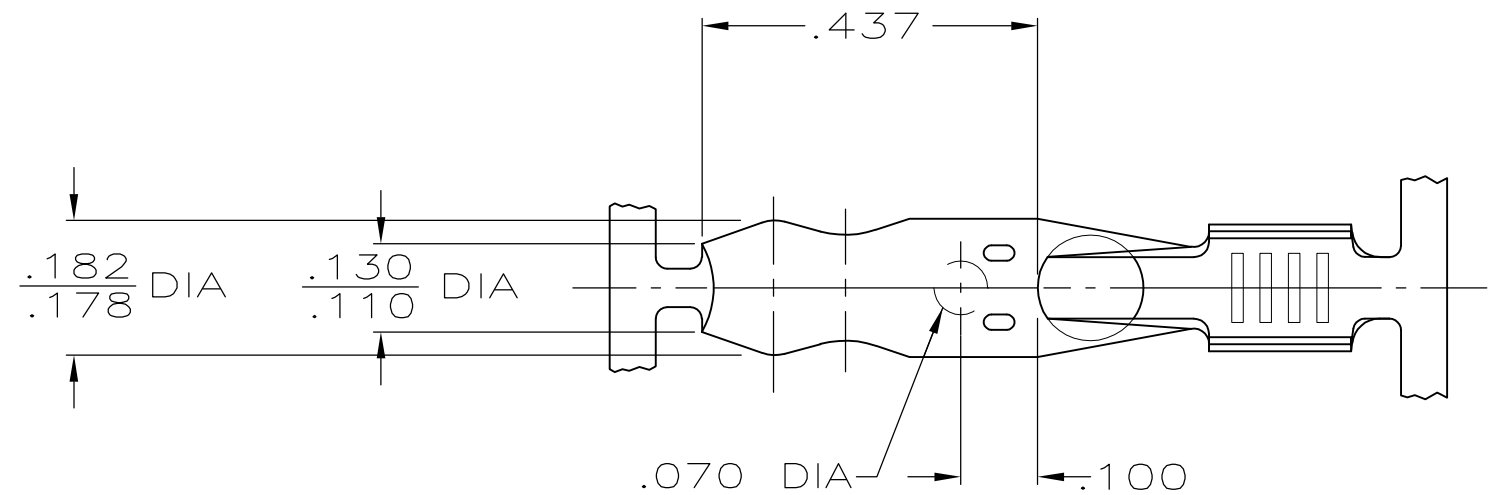
Address: A1208, Overseas Decoration Building, #122 Zhenhua RD., Futian, Shenzhen, China



THIS DRAWING IS UNPUBLISHED. RELEASED FOR PUBLICATION  
 © COPYRIGHT BY TYCO ELECTRONICS CORPORATION. ALL INTERNATIONAL RIGHTS RESERVED.

LOC	DIST	REVISIONS					
AF	50	P	LTR	DESCRIPTION	DATE	DWN	APVD
		L1		REVISED PER ECR-08-032291	22DEC08	HMR	DD

- 1 REVERSE REELED 42865-3 ONLY
- △ .000080 MIN TIN PLATE PER ASTM-B545 OVER  
.000050 MIN NICKEL UNDERPLATE PER QQ-N-290.
- 3 WIRE SIZE IS #14-#10 AWG, 9600 CMA MAX.



OBSOLETE	△	1/4 HARD BRASS	42865-5
	TIN PL .000080 MIN THK ASTM-B545	1/4 HARD BRASS	42865-3
	NONE	<del>1/4 HARD BRASS</del>	<del>42865-2</del>
	FINISH	1/4 HARD BRASS	42865-1
		MATERIAL	PART NO.

THIS DRAWING IS A CONTROLLED DOCUMENT.		DWN DK SCHRUM 3/27/89	Tyco Electronics Corporation Harrisburg, PA 17105-3608	
DIMENSIONS: INCHES	TOLERANCES UNLESS OTHERWISE SPECIFIED:	CHK PM FORTNEY 3/27/89	NAME	
	0 PLC ± -	APVD G YETTER 3/27/89	SHUR PLUG, .180 DIA	
	1 PLC ± -	PRODUCT SPEC	-	
	2 PLC ± -	APPLICATION SPEC	-	
	3 PLC ± .015	WEIGHT	-	
	4 PLC ± -	CUSTOMER DRAWING	SIZE A3	CAGE CODE 00779
	ANGLES ± -		DRAWING NO C-42865	RESTRICTED TO -
MATERIAL SEE TABLE	FINISH SEE TABLE		SCALE 4:1	SHEET 1 OF 1
			REV L1	