



Chipsmall Limited consists of a professional team with an average of over 10 year of expertise in the distribution of electronic components. Based in Hongkong, we have already established firm and mutual-benefit business relationships with customers from,Europe,America and south Asia,supplying obsolete and hard-to-find components to meet their specific needs.

With the principle of “Quality Parts,Customers Priority,Honest Operation,and Considerate Service”,our business mainly focus on the distribution of electronic components. Line cards we deal with include Microchip,ALPS,ROHM,Xilinx,Pulse,ON,Everlight and Freescale. Main products comprise IC,Modules,Potentiometer,IC Socket,Relay,Connector.Our parts cover such applications as commercial,industrial, and automotives areas.

We are looking forward to setting up business relationship with you and hope to provide you with the best service and solution. Let us make a better world for our industry!



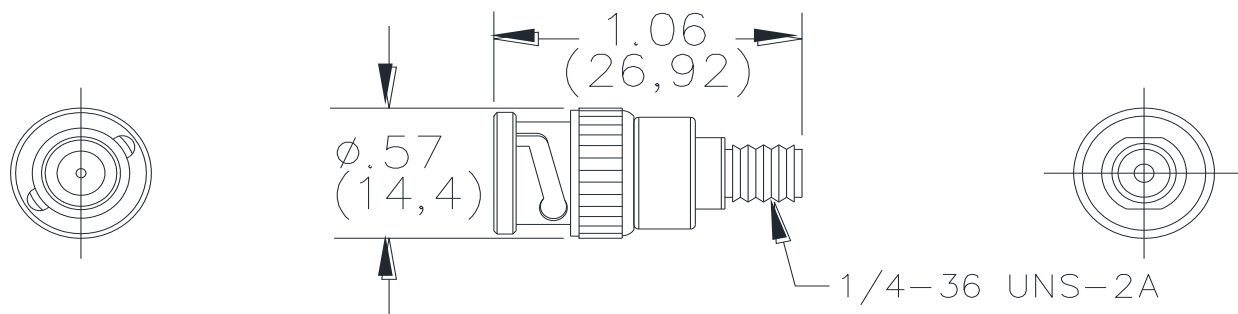
Contact us

Tel: +86-755-8981 8866 Fax: +86-755-8427 6832

Email & Skype: info@chipsmall.com Web: www.chipsmall.com

Address: A1208, Overseas Decoration Building, #122 Zhenhua RD., Futian, Shenzhen, China



Model 4289
Adapter, SMA (Female) to BNC (Male)**Features**

- Converts instruments with BNC inputs to SMA.
- Adapter and contacts are gold-plated for low contact resistance.

Materials

Body:	Gold-Plated Beryllium Copper
BNC Contact:	Gold-Plated Brass
SMA Contact:	Gold-Plated Beryllium Copper
Dielectric:	PTFE
Finish:	Gold-Plated per MIL-G-45204, Type II, Class 2

Ratings

Voltage: For *CE compliance* and for personal safety, do not hold in hand when voltages exceed 30 Vrms/60 Vdc.

Maximum voltage for *hands free use* in controlled testing environments: 335 Vrms Max.

Do not use on circuits where transient stresses can exceed the rated voltage.

Operating Temperature: -65°C (-85°F) to +165°C (+329°F)

Nominal Impedance: 50 Ohm

Frequency Range: 0 – 12.4 GHz

Ordering Information

Model: 4289
SMA (F)/BNC (M)

USA: Sales: 800-490-2361
Technical Support: technicalsupport@pomonatest.com
Fax: 425-446-5844

Europe: 31-(0) 40 2675 150 **International:** 425-446-5500

Where to Buy: www.pomonaelectronics.com

All dimensions are in inches. Tolerances (except noted): .xx = ±.02" (.51 mm), .xxx = ±.005" (.127 mm). All specifications are to the latest revisions. Specifications are subject to change without notice. Registered trademarks are the property of their respective companies.