



Chipsmall Limited consists of a professional team with an average of over 10 year of expertise in the distribution of electronic components. Based in Hongkong, we have already established firm and mutual-benefit business relationships with customers from,Europe,America and south Asia,supplying obsolete and hard-to-find components to meet their specific needs.

With the principle of "Quality Parts,Customers Priority,Honest Operation,and Considerate Service",our business mainly focus on the distribution of electronic components. Line cards we deal with include Microchip,ALPS,ROHM,Xilinx,Pulse,ON,Everlight and Freescale. Main products comprise IC,Modules,Potentiometer,IC Socket,Relay,Connector.Our parts cover such applications as commercial,industrial, and automotives areas.

We are looking forward to setting up business relationship with you and hope to provide you with the best service and solution. Let us make a better world for our industry!



## Contact us

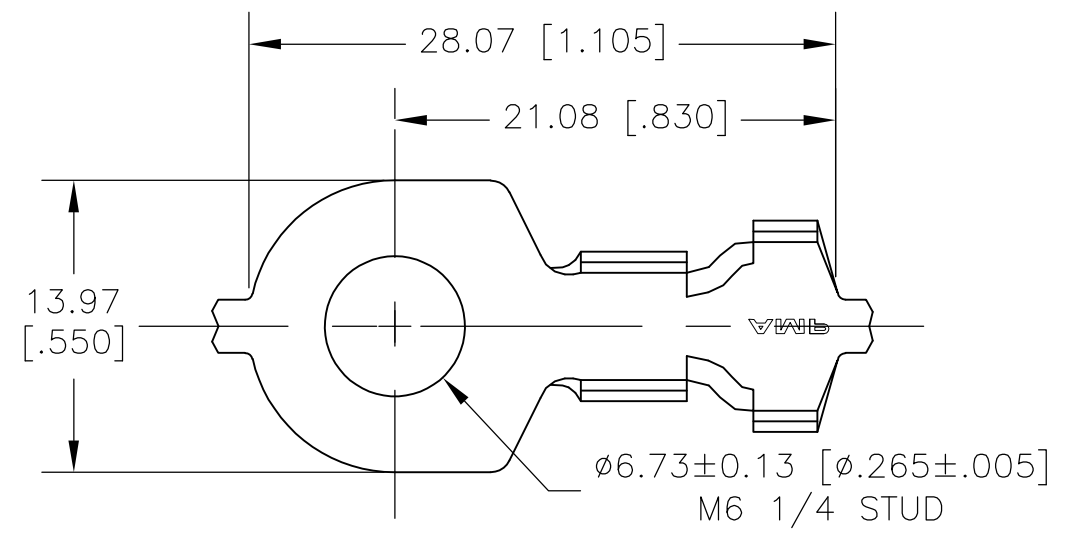
Tel: +86-755-8981 8866 Fax: +86-755-8427 6832

Email & Skype: info@chipsmall.com Web: www.chipsmall.com

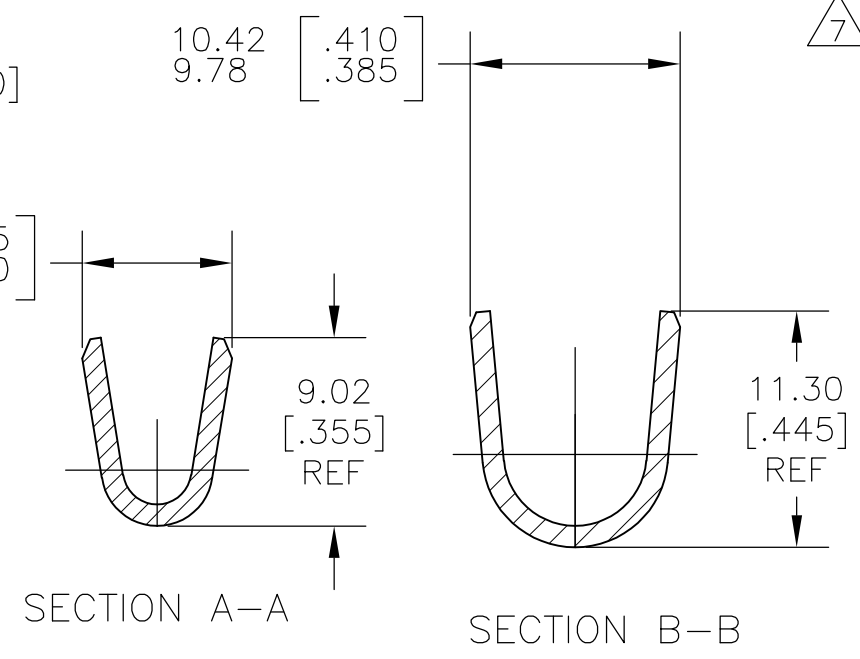
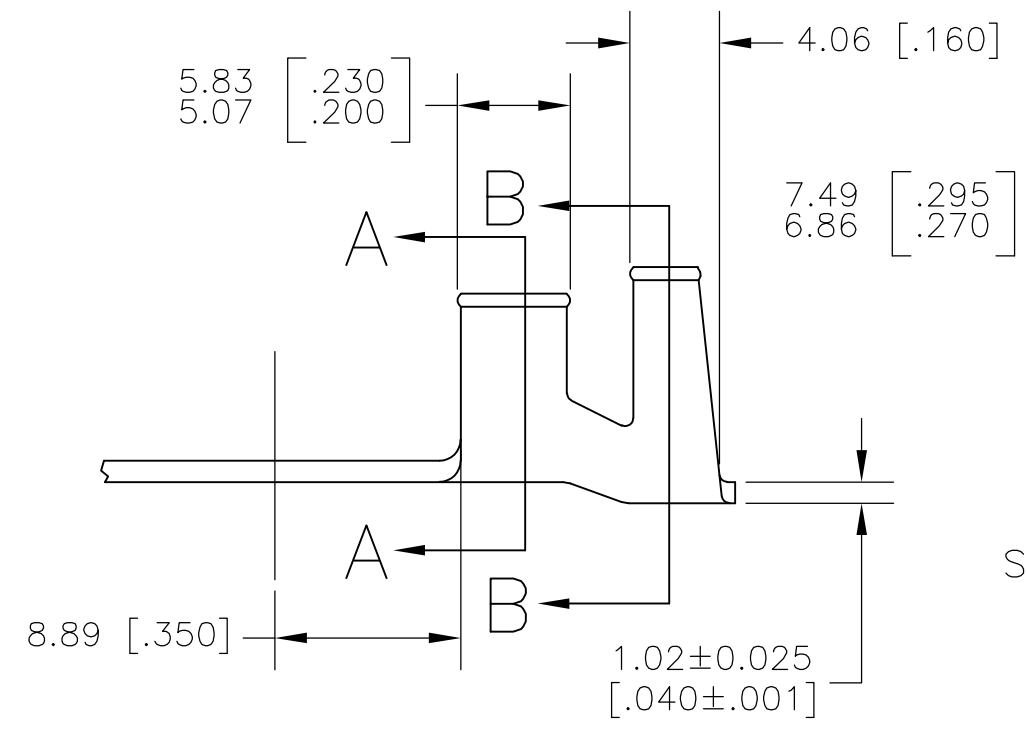
Address: A1208, Overseas Decoration Building, #122 Zhenhua RD., Futian, Shenzhen, China



LOC	DIST	REVISIONS					
AF	50	P	LTR	DESCRIPTION	DATE	DWN	APVD
			R	REVISED PER ECR-10-006099	07JUL10	HMR	PD



1. CONTINUOUS STRIP ON REELS.
3. WIRE SIZE IS [10-6] AWG.
4. INSULATION RANGE IS 5.59-8.00 [.220-.315] DIA
5. SPECIAL REELING FOR FOREIGN PRODUCTION ONLY.
6. PRILIMINARY - NOT FOR PRODUCTION.
7. SPECIAL PACKAGING.



6/7	TIN	42899-4
	TIN	5 42899-3
	TIN	42899-2
	NONE	42899-1
	FINISH	PART NO.

THIS DRAWING IS A CONTROLLED DOCUMENT.		DWN	JR RUTH	12JUL00	Tyco Electronics Corporation Harrisburg, PA 17105-3608		
DIMENSIONS: mm [INCHES]		CHK	MS FEHER	12JUL00			
TOLERANCES UNLESS OTHERWISE SPECIFIED:		APVD	D DECKER	12JUL00	NAME		
0 PLC ± - 1 PLC ± - 2 PLC ± 0.38[.015] 3 PLC ± - 4 PLC ± - ANGLES ± -		PRODUCT SPEC		RING TONGUE			
MATERIAL		APPLICATION SPEC		SIZE			
T1 BRASS		FINISH		CAGE CODE		RESTRICTED TO	
SEE TABLE		WEIGHT		DRAWING NO		-	
		-		A3 00779 C-42899			
CUSTOMER DRAWING				SCALE	3:1	SHEET	1 of 1
						REV	R