



Chipsmall Limited consists of a professional team with an average of over 10 year of expertise in the distribution of electronic components. Based in Hongkong, we have already established firm and mutual-benefit business relationships with customers from,Europe,America and south Asia,supplying obsolete and hard-to-find components to meet their specific needs.

With the principle of “Quality Parts,Customers Priority,Honest Operation,and Considerate Service”,our business mainly focus on the distribution of electronic components. Line cards we deal with include Microchip,ALPS,ROHM,Xilinx,Pulse,ON,Everlight and Freescale. Main products comprise IC,Modules,Potentiometer,IC Socket,Relay,Connector.Our parts cover such applications as commercial,industrial, and automotives areas.

We are looking forward to setting up business relationship with you and hope to provide you with the best service and solution. Let us make a better world for our industry!



Contact us

Tel: +86-755-8981 8866 Fax: +86-755-8427 6832

Email & Skype: info@chipsmall.com Web: www.chipsmall.com

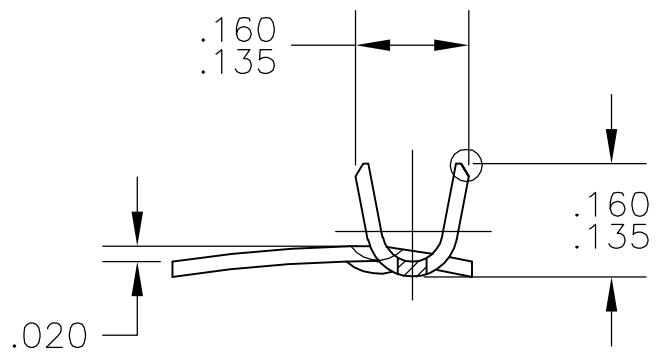
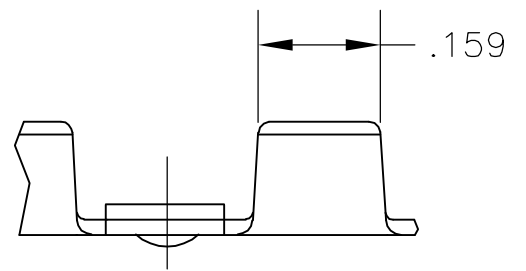
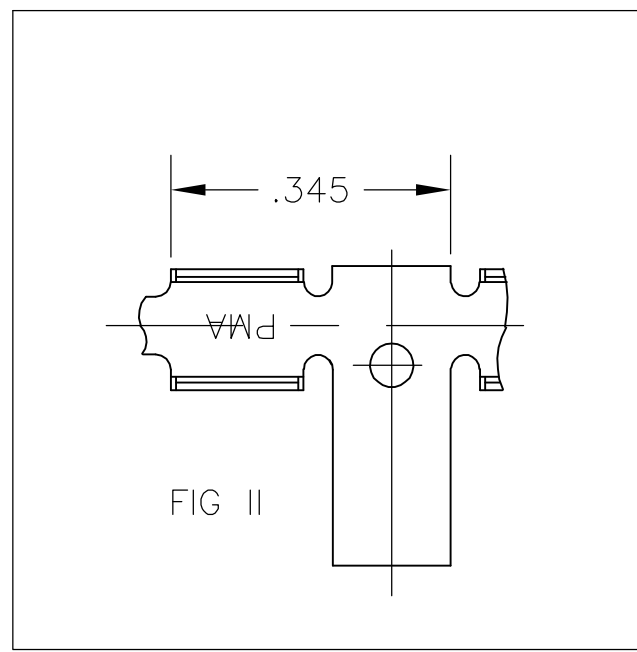
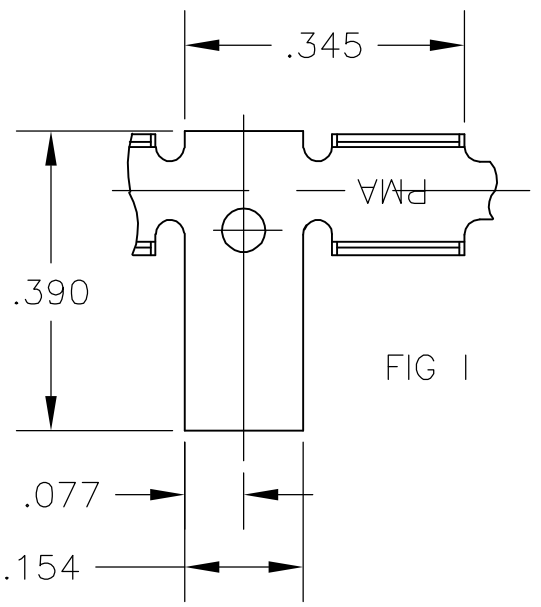
Address: A1208, Overseas Decoration Building, #122 Zhenhua RD., Futian, Shenzhen, China



THIS DRAWING IS UNPUBLISHED. RELEASED FOR PUBLICATION
 © COPYRIGHT BY TYCO ELECTRONICS CORPORATION. ALL RIGHTS RESERVED.

LOC	DIST	REVISIONS			
P	LTR	DESCRIPTION	DATE	DWN	APVD
AF	52	H1	REVISED PER ECR-06-027710	28NOV06	HMR GP

- 1 REVERSE REEL OF 42920-1
- 2 REVERSE REEL OF 42920-3
- 3 PRODUCT PROVIDED IN STRIP FORM ON REELS; BREAKS MAY BE PRESENT.
- 4 WIRE RANGE: 18-14 AWG
- 5 REF CRIMP WIDTH: .120 "F" TYPE



MATERIAL	REMARKS	PART NO.
.020 PHOS. BRONZE	FIG II 2	42920-4
.020 PHOS. BRONZE	FIG I	42920-3
.020 BRASS	FIG II 1	42920-2
.020 BRASS	FIG I	42920-1

THIS DRAWING IS A CONTROLLED DOCUMENT.		DWN RAGHAVENDRA 14NOV06	Tyco Electronics Corporation Harrisburg, Pa 17105-3608			
DIMENSIONS: INCHES		CHK G.D.PORTA				
TOLERANCES UNLESS OTHERWISE SPECIFIED:		APVD G.D.PORTA	WELD TAB			
0 PLC ± - 1 PLC ± - 2 PLC ± - 3 PLC ± .015 4 PLC ± - ANGLES ± 1'0"		PRODUCT SPEC -				
MATERIAL SEE TABLE	FINISH NONE	APPLICATION SPEC -	SIZE A3	CAGE CODE 00779	DRAWING NO C-42920	RESTRICTED TO -
CUSTOMER DRAWING			SCALE 4:1	SHEET 1 OF 1	REV H1	