



Chipsmall Limited consists of a professional team with an average of over 10 year of expertise in the distribution of electronic components. Based in Hongkong, we have already established firm and mutual-benefit business relationships with customers from,Europe,America and south Asia,supplying obsolete and hard-to-find components to meet their specific needs.

With the principle of "Quality Parts,Customers Priority,Honest Operation,and Considerate Service",our business mainly focus on the distribution of electronic components. Line cards we deal with include Microchip,ALPS,ROHM,Xilinx,Pulse,ON,Everlight and Freescale. Main products comprise IC,Modules,Potentiometer,IC Socket,Relay,Connector.Our parts cover such applications as commercial,industrial, and automotives areas.

We are looking forward to setting up business relationship with you and hope to provide you with the best service and solution. Let us make a better world for our industry!



Contact us

Tel: +86-755-8981 8866 Fax: +86-755-8427 6832

Email & Skype: info@chipsmall.com Web: www.chipsmall.com

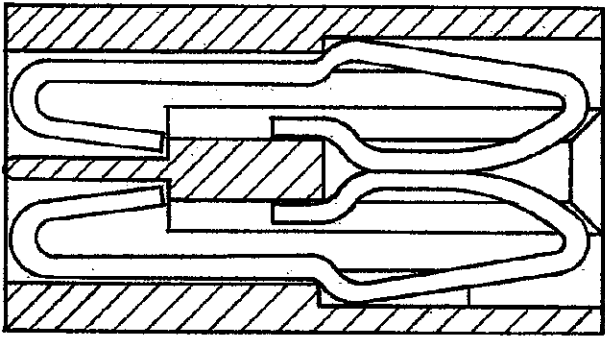
Address: A1208, Overseas Decoration Building, #122 Zhenhua RD., Futian, Shenzhen, China



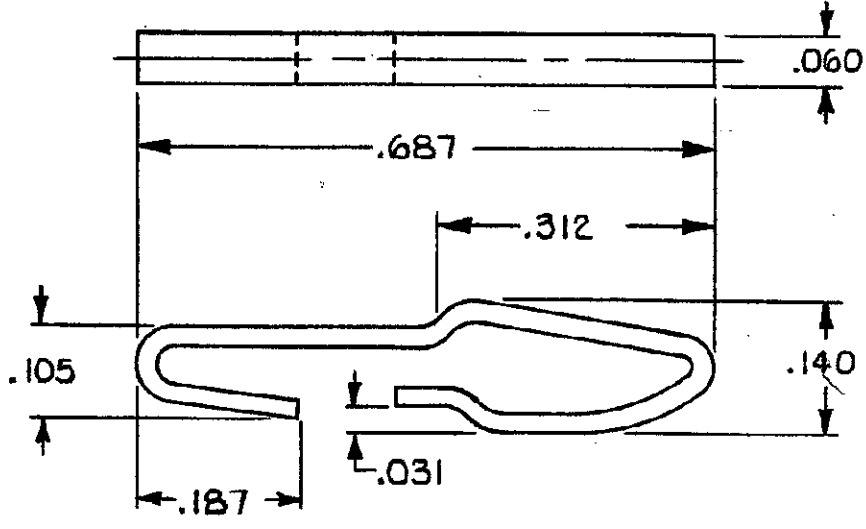
DRAWING MADE IN THIRD ANGLE PROJECTION

LOC FT DIST 22

REVISIONS					
P	F	LTR	DESCRIPTION	DATE	APPROVED
✓		G1	REDRAWN W/O CHANGE ADO895	9/17/85	CP
✓		H	REV PER EC 0320-349-97	20 NOV 97	NS



← DIRECTION OF INSERTION IS FROM CARD SLOT SIDE



.000030 GOLD OVER NICKEL	42973-3
UNPLATED	42973-2
NICKEL .000050 THICK	42973-1
FINISH	PART NO

THIS DRAWING IS UNPUBLISHED. RELEASED FOR PUBLICATION
 BY AMP INCORPORATED, HARRISBURG, PA. ALL INTERNATIONAL RIGHTS RESERVED. AMP PRODUCTS MAY BE COVERED BY U.S. AND FOREIGN PATENTS AND/OR PATENTS PENDING.

UNLESS OTHERWISE SPECIFIED DIMENSIONS ARE IN INCHES. TOLERANCES ON: DECIMALS ±.015 ANGLES ±

MATERIAL STAINLESS STEEL 301 .020 THK.

FINISH SEE TABLE

CONTRACT NO

DR *Craig Pierce* 9-13-85

CHK *H.W. Rosa* 9/16/85

APPD *Howard W. Rosa* 9/16/85

APPD

DSGN APPD

OTHER APPD

AMP | AMP INCORPORATED
Harrisburg, Pa. 17105

NAME
SPRING, RETAINING, AMP LEAF

SIZE **A** FSCM NO **00779** DRAWING NO **42973**

SCALE 5:1 SHEET 1 OF 1