



Chipsmall Limited consists of a professional team with an average of over 10 year of expertise in the distribution of electronic components. Based in Hongkong, we have already established firm and mutual-benefit business relationships with customers from,Europe,America and south Asia,supplying obsolete and hard-to-find components to meet their specific needs.

With the principle of “Quality Parts,Customers Priority,Honest Operation,and Considerate Service”,our business mainly focus on the distribution of electronic components. Line cards we deal with include Microchip,ALPS,ROHM,Xilinx,Pulse,ON,Everlight and Freescale. Main products comprise IC,Modules,Potentiometer,IC Socket,Relay,Connector.Our parts cover such applications as commercial,industrial, and automotives areas.

We are looking forward to setting up business relationship with you and hope to provide you with the best service and solution. Let us make a better world for our industry!



Contact us

Tel: +86-755-8981 8866 Fax: +86-755-8427 6832

Email & Skype: info@chipsmall.com Web: www.chipsmall.com

Address: A1208, Overseas Decoration Building, #122 Zhenhua RD., Futian, Shenzhen, China

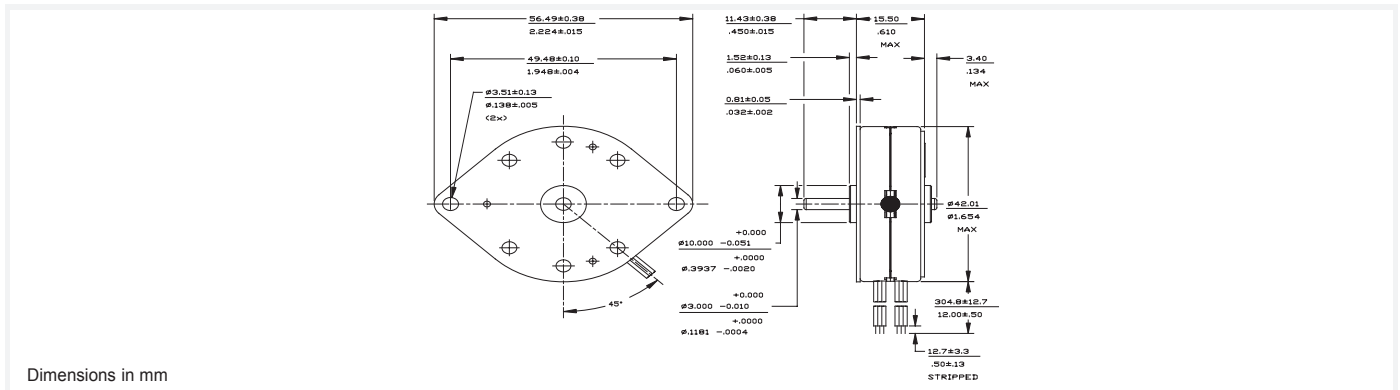


42S048D

RoHS Compliant

Ø42mm

60 mNm



Dimensions in mm

42S048D

Electrical Data	42S048D1U Unipolar	42S048D2U Unipolar	42S048D1B Bipolar	42S048D2B Bipolar	
1 Operating Voltage	5	12	5	12	VDC
2 Resistance per Phase, ± 10%	12.5	75.0	12.5	75.0	Ohms
3 Inductance per Phase, typ	6.4	34.1	10.4	58.0	mH
4 Rated Current per Phase *	0.40	0.16	0.40	0.16	A
Coil independent parameters					
5 Holding Torque, MIN *	50.8 (7.2)	50.8 (7.2)	60 (8.5)	60 (8.5)	mNm (oz-in)
6 Detent Torque, Max			12 (1.7)		mNm (oz-in)
7 Rotor Inertia			9.5 (0.052)		gcm ² (oz-in-s ²)
8 Step Angle			7.5		Degree
9 Absolute accuracy 2 ph. On, Full step			± .5		Degree
10 Steps per Revolution			48.0		
11 Ambient Temp Range (operating)			-20 to +70 (-4 to +158)		°C (°F)
12 Maximum Coil Temperature			130 (266)		°C (°F)
13 Bearing Type			Sintered Bronze Sleeve		
14 Insulation Resistance at 500 VDC			100.0		Mohms
15 Dielectric Withstanding Voltage			650 for 2 seconds		VAC
16 Weight			88 (3.1)		g (oz)
17 Leadwire			AWG#28, UL3265 (125°C, 150V)		

All Motor Data Values at 20°C Unless Otherwise Specified

* Energize at Rated Current, 2 Phase On

