



Chipsmall Limited consists of a professional team with an average of over 10 year of expertise in the distribution of electronic components. Based in Hongkong, we have already established firm and mutual-benefit business relationships with customers from,Europe,America and south Asia,supplying obsolete and hard-to-find components to meet their specific needs.

With the principle of “Quality Parts,Customers Priority,Honest Operation,and Considerate Service”,our business mainly focus on the distribution of electronic components. Line cards we deal with include Microchip,ALPS,ROHM,Xilinx,Pulse,ON,Everlight and Freescale. Main products comprise IC,Modules,Potentiometer,IC Socket,Relay,Connector.Our parts cover such applications as commercial,industrial, and automotives areas.

We are looking forward to setting up business relationship with you and hope to provide you with the best service and solution. Let us make a better world for our industry!



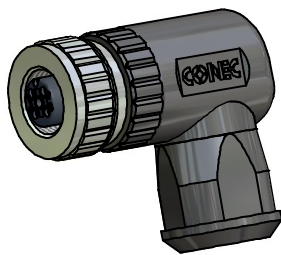
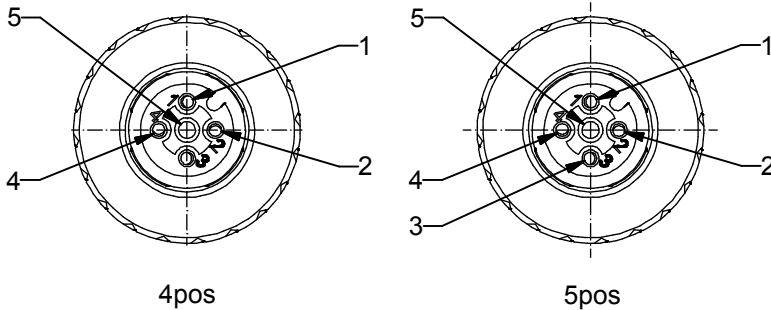
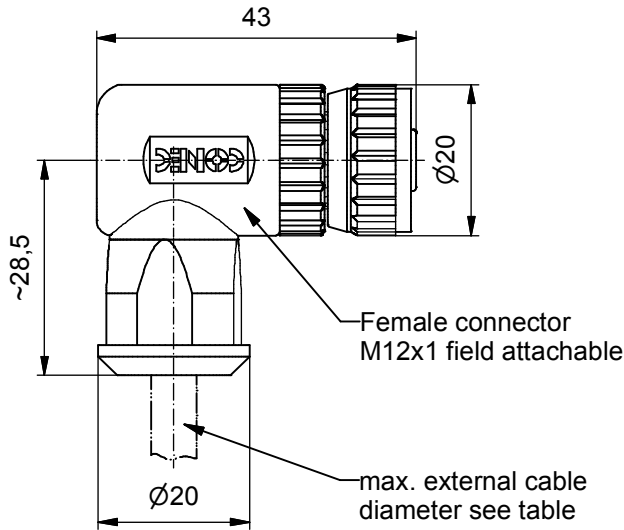
Contact us

Tel: +86-755-8981 8866 Fax: +86-755-8427 6832

Email & Skype: info@chipsmall.com Web: www.chipsmall.com

Address: A1208, Overseas Decoration Building, #122 Zhenhua RD., Futian, Shenzhen, China





Technical specification:

Rated voltage: IEC 61076-2-101	4pos 250 V	5pos 60 V
Current rating: IEC 61076-2-101	4A at 40°C	
Insulation resistance: IEC 60512-2	>= 10 GΩ	
Pollution degree: IEC 60664-1	3/2	
Degree of protection: IEC 60529	IP 67, in mated condition	
Temperature range: IEC 60664-1	-30°C ... +85°C	
Mating cycles: IEC 60512-9a	<= 100	
Wire cross section:	AWG18 / max. 0,75mm²	

Materials:

Contact:	CuZn
Contact plating:	Nickel, gold plated
Contact carrier:	PA6, UL 94
Screw:	Steel, nickel plated
Cable sealing:	Elastomere
O-Ring:	FPM
Coupling nut:	Die cast, nickel plated
Housing:	PA6 GF, UL 94

Directive 2002/95/EC
„RoHS“
Compliant

	Part no:	Description:	Pos:	Cable-Ø:
Screw connection	43-00095	SAL - 12 - RKWC4 - S6/075	4	4 - 6mm
	43-00096	SAL - 12 - RKWC4 - S8/075	4	6 - 8mm
	43-00097	SAL - 12 - RKWC5 - S6/075	5	4 - 6mm
	43-00098	SAL - 12 - RKWC5 - S8/075	5	6 - 8mm

DO NOT ALTER CAD DRAWING BY HAND	Status: 19.01.09 db	dim. in mm	title: Female connector M12x1, field attachable, angled, screw connection		
	tolerance: ISO 2768-m				
	THIS DRAWING MAY NOT BE COPIED OR REPRODUCED IN ANY WAY, AND MAY NOT BE PASSED ON TO A THIRD PARTY WITHOUT WRITTEN PERMISSION. OWNERSHIP AND COPYRIGHT OF CONEC GmbH	drawn 19.01.09 Burschik	date 19.01.09	dwg no: Inventor 10 <div style="text-align: center; font-size: large; font-weight: bold;">43K1A835</div>	
		appd. 19.01.09 Schmidt			
			part no:		