



Chipsmall Limited consists of a professional team with an average of over 10 year of expertise in the distribution of electronic components. Based in Hongkong, we have already established firm and mutual-benefit business relationships with customers from,Europe,America and south Asia,supplying obsolete and hard-to-find components to meet their specific needs.

With the principle of “Quality Parts,Customers Priority,Honest Operation,and Considerate Service”,our business mainly focus on the distribution of electronic components. Line cards we deal with include Microchip,ALPS,ROHM,Xilinx,Pulse,ON,Everlight and Freescale. Main products comprise IC,Modules,Potentiometer,IC Socket,Relay,Connector.Our parts cover such applications as commercial,industrial, and automotives areas.

We are looking forward to setting up business relationship with you and hope to provide you with the best service and solution. Let us make a better world for our industry!



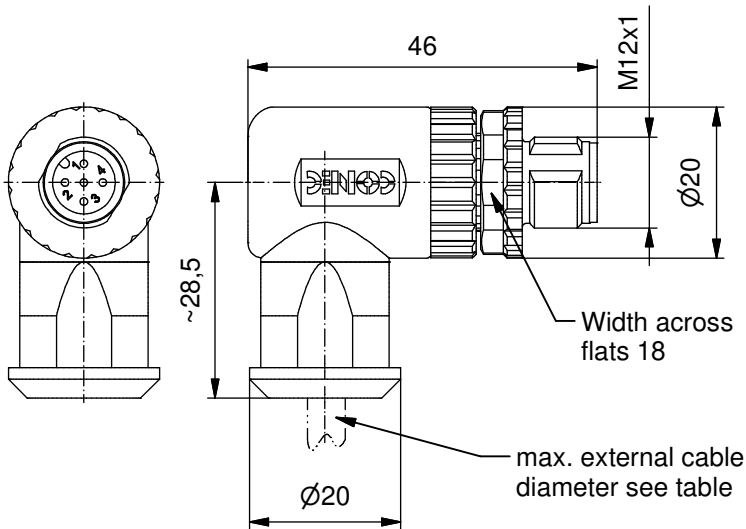
## Contact us

Tel: +86-755-8981 8866 Fax: +86-755-8427 6832

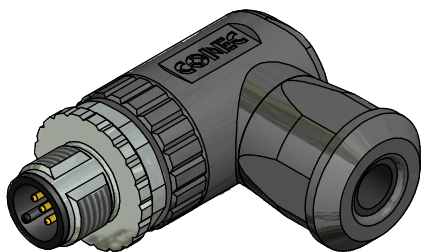
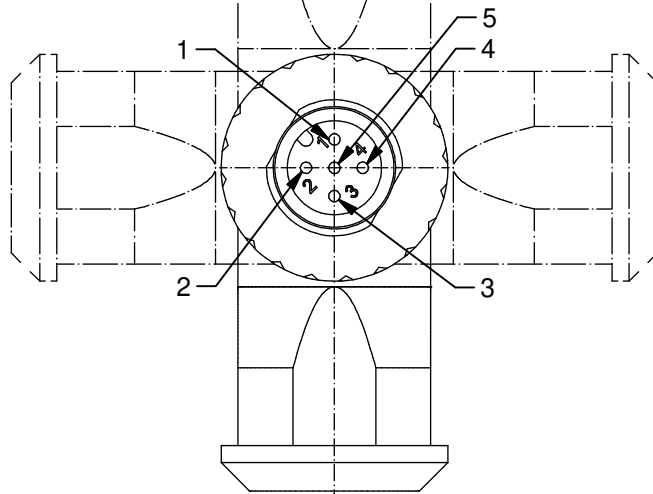
Email & Skype: info@chipsmall.com Web: www.chipsmall.com

Address: A1208, Overseas Decoration Building, #122 Zhenhua RD., Futian, Shenzhen, China





A-coding  
 Housing in angled version is mountable in 90° angular degree positions  
 4pos / 5pos



**Technical specification:**

Rated voltage: IEC 61076-2-101	4pos 5pos 250 V 60 V
Current rating: IEC 61076-2-101	7,5 A at 40°C, with 1,5 mm <sup>2</sup>
Insulation resistance: IEC 60512	>=100 MΩ
Pollution degree: IEC 60664-1	3/2
Degree of protection: IEC 60529	IP 67, in mated condition
Temperature range:	-30°C ... +85°C
Mating cycles: IEC 60512-9a	>=100
Wire cross section:	max. AWG16 / max. 1,50 mm <sup>2</sup> (incl. sleeve)

**Materials:**

Contact:	CuZn
Contact plating:	Au over Ni
Contact carrier:	PA6, UL 94
Screw connection	Elastomere
Cable seal:	FPM / NBR
O-Ring:	GD-Zn, Ni plated
Coupling screw:	PA6 GF, UL 94
Housing:	

**Installation specification:**

Recommended torque:	0,6 Nm
Conec installation tooling:	Torque wrench: 36-000200 Insert across flats 18: 36-000240
Recommended torque, screw termination contact:	0,3 Nm

Part no:	Description:	Pos:	Cable-Ø:
43-00104	SAL - 12 - RSWC4 - S / 150	4	4 - 8 mm
43-00106	SAL - 12 - RSWC5 - S / 150	5	4 - 8 mm

DO NOT ALTER CAD DRAWING BY HAND  
 Directive 2002/95/EC RoHS compliant

Index: d 17.03.14 BS Ä5133  
 data sheet a. description modified

	date	name
drawn	19.01.09	Burschik
appd.	19.01.09	Schmidt

general tolerance: 0 ± 0,50mm  
 0,0 ± 0,25mm  
 0,00 ± 0,10mm

THIS DRAWING MAY NOT BE COPIED OR REPRODUCED IN ANY WAY, AND MAY NOT BE PASSED ON TO A THIRD PARTY WITHOUT WRITTEN PERMISSION. OWNERSHIP AND COPYRIGHT OF CONEC GmbH

dim. in mm

title: Male connector M12x1, field attachable, angled, screw connection

dwg no: 43K1A837

part no: see table