



Chipsmall Limited consists of a professional team with an average of over 10 year of expertise in the distribution of electronic components. Based in Hongkong, we have already established firm and mutual-benefit business relationships with customers from,Europe,America and south Asia,supplying obsolete and hard-to-find components to meet their specific needs.

With the principle of "Quality Parts,Customers Priority,Honest Operation,and Considerate Service",our business mainly focus on the distribution of electronic components. Line cards we deal with include Microchip,ALPS,ROHM,Xilinx,Pulse,ON,Everlight and Freescale. Main products comprise IC,Modules,Potentiometer,IC Socket,Relay,Connector.Our parts cover such applications as commercial,industrial, and automotives areas.

We are looking forward to setting up business relationship with you and hope to provide you with the best service and solution. Let us make a better world for our industry!



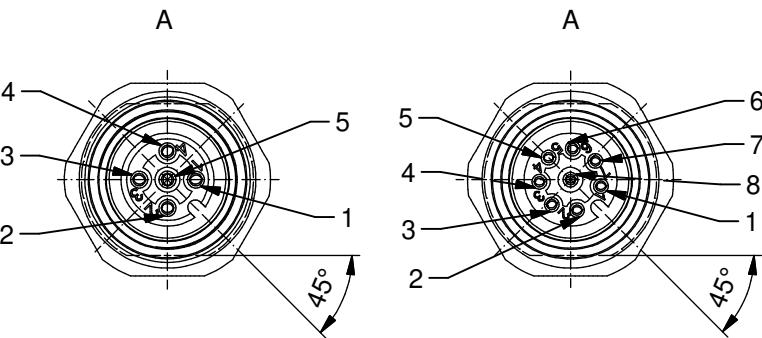
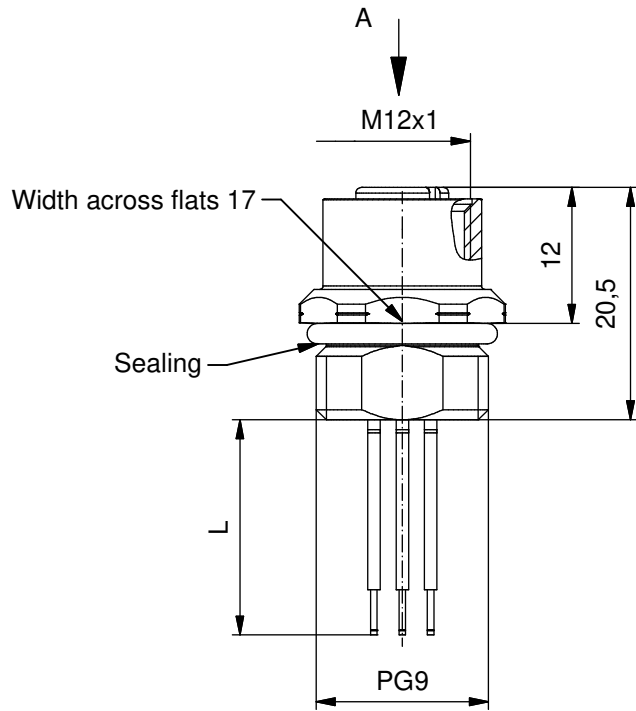
Contact us

Tel: +86-755-8981 8866 Fax: +86-755-8427 6832

Email & Skype: info@chipsmall.com Web: www.chipsmall.com

Address: A1208, Overseas Decoration Building, #122 Zhenhua RD., Futian, Shenzhen, China





Contact assignment:

- 1) brown
- 2) white
- 3) blue
- 4) black
- 5) green-yellow

Contact assignment:

- 1) white
- 2) brown
- 3) green
- 4) yellow
- 5) grey
- 6) pink
- 7) blue
- 8) red

Technical specification:

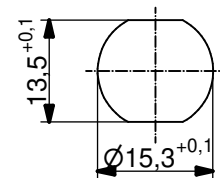
Rated voltage: IEC 61076-2-101	4pos 250 V	5pos 60 V	8pos 30 V
Current rating: IEC 61076-2-101	4/5pos 4 A at 40°C	8pos 2 A at 40°C	
Insulation resistance: IEC 60512	>=100 MΩ		
Pollution degree: IEC 60664-1	3/2		
Degree of protection: IEC 60529	IP 67, in mated condition		
Temperature range:	-30°C ... +80°C		
Mating cycles: IEC 60512-9a	>=100		

Materials:

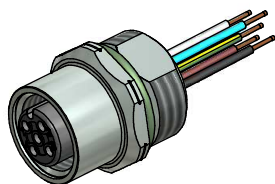
Contact:	CuZn
Contact plating:	Nickel, gold plated
Contact carrier:	PBT GF, UL 94
Sealing:	FPM
Socket housing:	CuZn, nickel plated
Grouting:	Polyurethane-resin, UL 94

Installation specification:

recommended torque:	1-1,2 Nm
Conec installation tool:	Torque wrench: 36-000200 Insert across flats 17: 36-000230



Minimum wall thickness 1,5mm, alternativ panel cut-out d=15,3



Part no:	Description:	Pos	Length L:	Wire:
43-01073	SAL - 12 - FK4 - 0,5 - 9	4	0,5m	AWG 24 PVC, UL
43-xxxxx	SAL - 12 - FK4 - ... - 9	4	x	
43-01075	SAL - 12 - FK5 - 0,5 - 9	5	0,5m	
43-xxxxx	SAL - 12 - FK5 - ... - 9	5	x	
43-01097	SAL - 12 - FK8 - 0,5 - 9	8	0,5m	
43-xxxxx	SAL - 12 - FK8 - ... - 9	8	x	

DO NOT ALTER CAD DRAWING BY HAND Directive 2002/95/EC RoHS compliant	Index: c 08.02.13 MG Ä4631 Data sheet revised, technical specification changed, materials corrected	dim. in mm	title: Female socket M12x1 with wire, frontmounting, PG9		
	tolerance of wire: L <= 0,5m: L + 20mm L > 0,5m: L + 4%	date			name
	general tolerance: 0 ± 0,50mm 0,0 ± 0,25mm 0,00 ± 0,10mm	drawn 06.03.07	Fromm	dwg no: 43K1A316	
		appd. 06.03.07	Mankopf		
THIS DRAWING MAY NOT BE COPIED OR REPRODUCED IN ANY WAY, AND MAY NOT BE PASSED ON TO A THIRD PARTY WITHOUT WRITTEN PERMISSION. OWNERSHIP AND COPYRIGHT OF CONEC GmbH					