



Chipsmall Limited consists of a professional team with an average of over 10 year of expertise in the distribution of electronic components. Based in Hongkong, we have already established firm and mutual-benefit business relationships with customers from,Europe,America and south Asia,supplying obsolete and hard-to-find components to meet their specific needs.

With the principle of “Quality Parts,Customers Priority,Honest Operation,and Considerate Service”,our business mainly focus on the distribution of electronic components. Line cards we deal with include Microchip,ALPS,ROHM,Xilinx,Pulse,ON,Everlight and Freescale. Main products comprise IC,Modules,Potentiometer,IC Socket,Relay,Connector.Our parts cover such applications as commercial,industrial, and automotives areas.

We are looking forward to setting up business relationship with you and hope to provide you with the best service and solution. Let us make a better world for our industry!



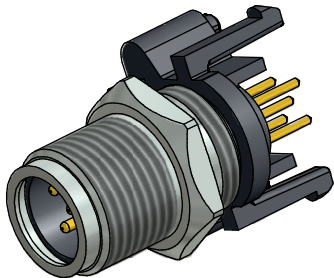
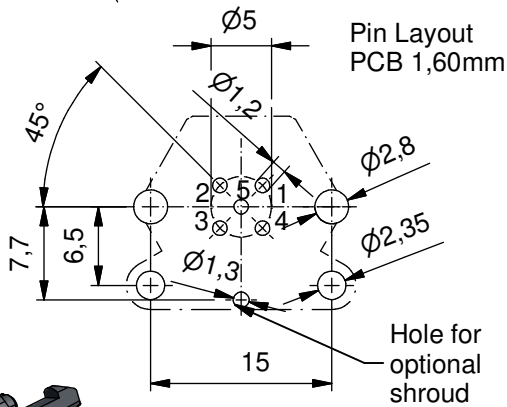
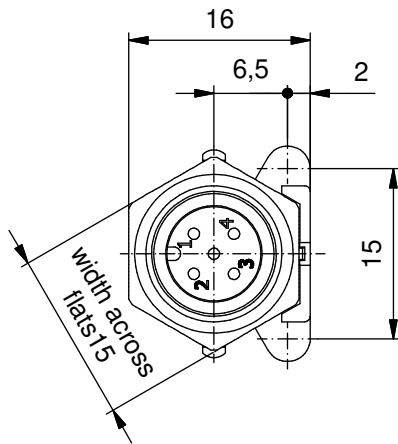
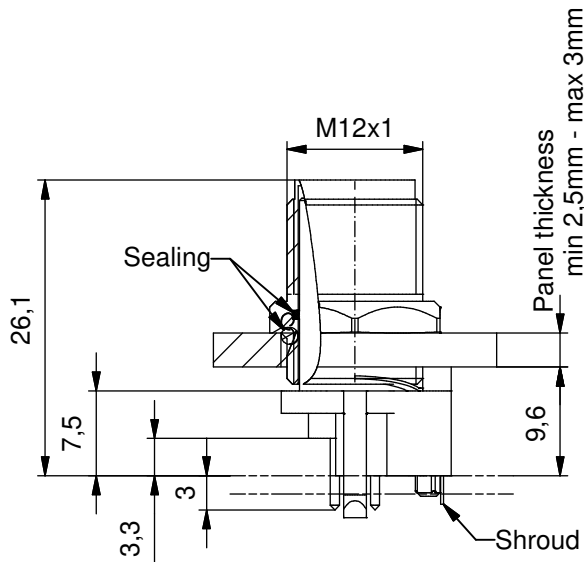
## Contact us

Tel: +86-755-8981 8866 Fax: +86-755-8427 6832

Email & Skype: info@chipsmall.com Web: www.chipsmall.com

Address: A1208, Overseas Decoration Building, #122 Zhenhua RD., Futian, Shenzhen, China





**Technical specification:**

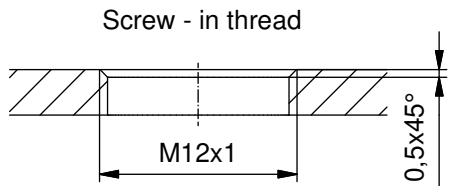
Rated voltage: IEC 61076-2-101	4pos 5pos 250 V 60 V
Current rating: IEC 61076-2-101	4 A at 40°C
Insulation resistance: IEC 60512-2	>=100 MΩ
Pollution degree: IEC 60664-1	3/2
Degree of protection: IEC 60529	IP 67, in mated condition
Temperature range: IEC 60664-1	-30°C ... +85°C
Mating cycles: IEC 60512-9a	>=100

**Materials:**

Contact:	CuZn
Contact plating:	Nickel, gold plated
Contact carrier:	PA 6.6, UL 94
Sealing:	FPM
Socket housing:	CuZn, nickel plated
Shroud:	Spring steel
-plating:	Tin plated

**Installation specification:**

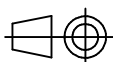
recommended torque:	0,8-1 Nm
Conec installation tool:	Torque wrench: 36-000200 Insert across flats 15: 36-000320



Part no:	Description:	Pos	Note:
43-01166	SAL - 12 - FS4 - X10	4	
43-01167	SAL - 12S - FS4 - X10	4	with shroud
43-01168	SAL - 12 - FS5.1 - X10	5	
43-01169	SAL - 12S - FS5.1 - X10	5	with shroud

DO NOT ALTER CAD DRAWING BY HAND  
Directive 2002/95/EC RoHS compliant

Index: b 23.03.11 fro Ä3914  
Data sheet revised, technical specification changed



dim. in mm

	date	name
drawn	09.10.07	Fromm
appd.	18.10.07	W. Schmidt

title:  
**Male Socket M12x1 axial,  
frontmounting, dip solder, X10**

dwg no:

**43K1A498**

part no:



THIS DRAWING MAY NOT BE COPIED OR REPRODUCED IN ANY WAY, AND MAY NOT BE PASSED ON TO A THIRD PARTY WITHOUT WRITTEN PERMISSION.  
OWNERSHIP AND COPYRIGHT OF CONEC GmbH