



Chipsmall Limited consists of a professional team with an average of over 10 year of expertise in the distribution of electronic components. Based in Hongkong, we have already established firm and mutual-benefit business relationships with customers from,Europe,America and south Asia,supplying obsolete and hard-to-find components to meet their specific needs.

With the principle of “Quality Parts,Customers Priority,Honest Operation,and Considerate Service”,our business mainly focus on the distribution of electronic components. Line cards we deal with include Microchip,ALPS,ROHM,Xilinx,Pulse,ON,Everlight and Freescale. Main products comprise IC,Modules,Potentiometer,IC Socket,Relay,Connector.Our parts cover such applications as commercial,industrial, and automotives areas.

We are looking forward to setting up business relationship with you and hope to provide you with the best service and solution. Let us make a better world for our industry!



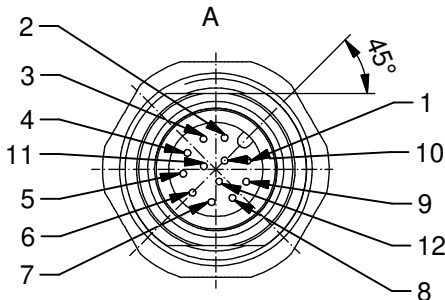
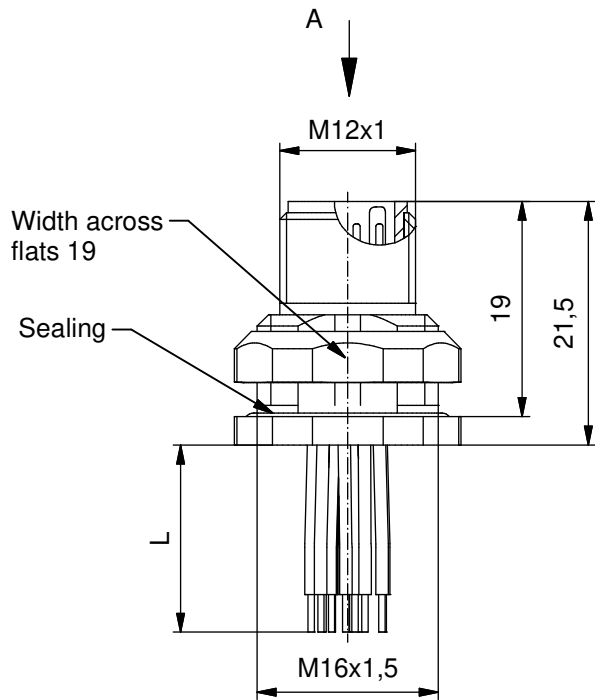
Contact us

Tel: +86-755-8981 8866 Fax: +86-755-8427 6832

Email & Skype: info@chipsmall.com Web: www.chipsmall.com

Address: A1208, Overseas Decoration Building, #122 Zhenhua RD., Futian, Shenzhen, China





Contact assignment:

- | | |
|------------|----------------|
| 1 - brown | 7 - black |
| 2 - blue | 8 - grey |
| 3 - white | 9 - red |
| 4 - green | 10 - violet |
| 5 - pink | 11 - grey-pink |
| 6 - yellow | 12 - red-blue |

Technical specification :

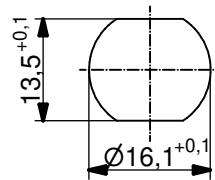
- | | |
|-------------------------------------|---------------------------|
| Rated voltage:
IEC 61076-2-101 | 30 V |
| Current rating:
IEC 61076-2-101 | 1,5 A at 40°C |
| Insulation resistance:
IEC 60512 | >=100 MΩ |
| Pollution degree:
IEC 60664-1 | 3/2 |
| Degree of protection:
IEC 60529 | IP 67, in mated condition |
| Temperature range: | -30°C ... +80°C |
| Mating cycles:
IEC 60512-9a | >=100 |

Materials:

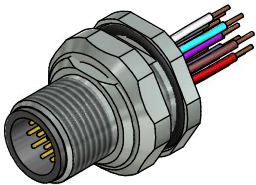
- | | |
|------------------|---------------------------|
| Contact: | CuZn |
| Contact plating: | Nickel, gold plated |
| Contact carrier: | PBT GF, UL 94 |
| Sealing chassis: | NBR |
| Counternut: | CuZn, nickel plated |
| Socket housing: | CuZn, nickel plated |
| Grouting: | Polyurethane-resin, UL 94 |

Installation specification:

- | | |
|--------------------------|---|
| Recommended torque: | 1-1,2 Nm |
| Conec installation tool: | Torque wrench:
36-000200
Insert across flats 19:
36-000250 |



Minimum wall thickness 1,5mm,
alternativ panel cut-out d=16,1



Part no:	Description:	Pos	Length L:	Wire:
43-01344	SAL - 12 - FSH12 - 0,5	12	0,5m	AWG 26 PVC, UL
43-xxxxx	SAL - 12 - FSH12 - ...	12	x	

DO NOT ALTER CAD DRAWING BY HAND Directive 2002/95/EC RoHS compliant	Index: c 30.11.12 MG Ä4555 Data sheet revised, technical specification changed, materials corrected	dim. in mm	title: Male socket M12x1 with wire, backmounting		
					date
	tolerance of wire: L <= 0,5m: L + 20mm L > 0,5m: L + 4%	drawn 17.10.08 appd. 17.10.08	Fromm Mankopf	dwg no: 43K1A776	
	general tolerance: 0 ± 0,50mm 0,0 ± 0,25mm 0,00 ± 0,10mm				
<small>THIS DRAWING MAY NOT BE COPIED OR REPRODUCED IN ANY WAY, AND MAY NOT BE PASSED ON TO A THIRD PARTY WITHOUT WRITTEN PERMISSION. OWNERSHIP AND COPYRIGHT OF CONEC GmbH</small>					