



Chipsmall Limited consists of a professional team with an average of over 10 year of expertise in the distribution of electronic components. Based in Hongkong, we have already established firm and mutual-benefit business relationships with customers from,Europe,America and south Asia,supplying obsolete and hard-to-find components to meet their specific needs.

With the principle of “Quality Parts,Customers Priority,Honest Operation,and Considerate Service”,our business mainly focus on the distribution of electronic components. Line cards we deal with include Microchip,ALPS,ROHM,Xilinx,Pulse,ON,Everlight and Freescale. Main products comprise IC,Modules,Potentiometer,IC Socket,Relay,Connector.Our parts cover such applications as commercial,industrial, and automotives areas.

We are looking forward to setting up business relationship with you and hope to provide you with the best service and solution. Let us make a better world for our industry!



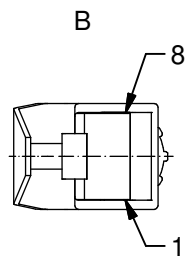
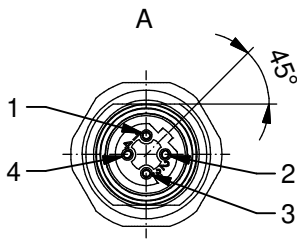
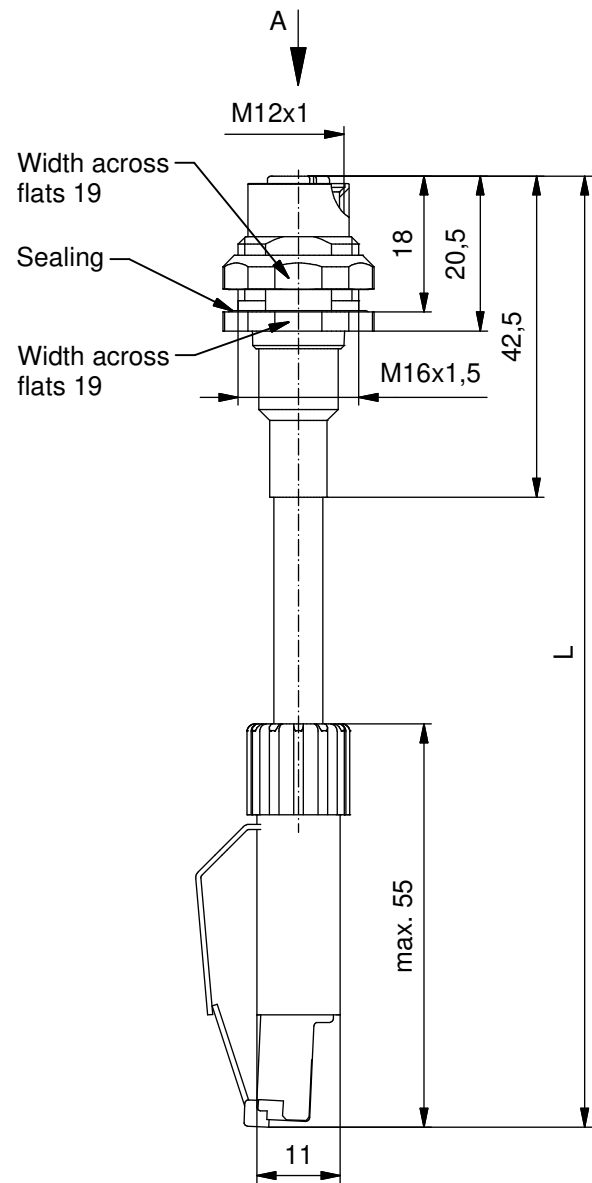
Contact us

Tel: +86-755-8981 8866 Fax: +86-755-8427 6832

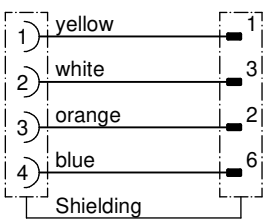
Email & Skype: info@chipsmall.com Web: www.chipsmall.com

Address: A1208, Overseas Decoration Building, #122 Zhenhua RD., Futian, Shenzhen, China



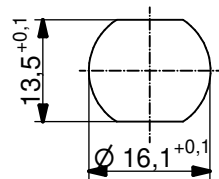
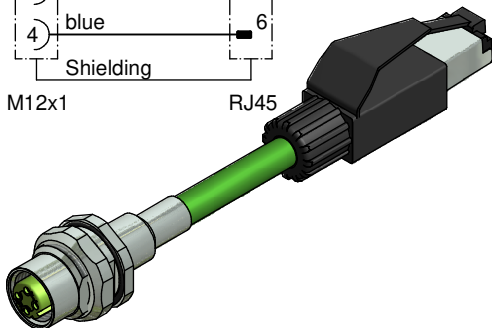


Contact assignment:



M12x1

RJ45



Minimum wall thickness 1,5mm, alternativ panel cut-out d=16,1

Technical specification :

Rated voltage: 48 V
 Current rating: 350 mA bei 40°C
 Transmission characteristic: Class D IEC 60512-2
 Male RJ45
 Pollution degree: 3/2 IEC 60664-1
 Degree of protection M12x1: IP 67, in mated condition IEC 60529
 Degree of protection RJ45: IP 20, in mated condition IEC 60529
 Temperature range: -20°C ... +60°C
 Mating cycles: >=100 IEC 60512-9a

Cable specification:

Temperatur range: -40°C ... +70°C
 bewegt: -20°C ... +60°C
 ungewegt:
 Numbers of cycles: 3 Mio. at 4 m/s

Material socket M12x1:

Contact: CuZn, Ni b / Au 0,2 gal.
 Contact carrier: PA, UL 94 V-0
 Sealing: FPM
 Counternut: CuZn, nickel plated
 Socket housing: CuZn, nickel plated
 Shield: CuZn, nickel plated

Material RJ45:

Contact: Cu - alloy, Au
 Contact carrier: PBT / PC, UL 94 V-0
 Shield cover: Cu - alloy, Sn
 Conductor holding tray: PC, UL 94 V-0
 Housing: PA, UL 94 V-0, black

Installation specification:

Recommended torque: 1-1,2 Nm
 Conec installation tool: Torque wrench: 36-000200
 Insert across flats 19: 36-000250

Part no:	Description:	Length L:	Cable:
43-01678	SAL - 45S - SS4.003 - 12D - FKH4.2 - 0,5 / G6	0,5m	TPU, UL, green, 4xAWG22 Cable: 781-G63400
43-01679	SAL - 45S - SS4.003 - 12D - FKH4.2 - 1 / G6	1m	
43-01680	SAL - 45S - SS4.003 - 12D - FKH4.2 - 2 / G6	2m	
43-xxxxx	SAL - 45S - SS4.003 - 12D - FKH4.2 - ... / G6	x	

DO NOT ALTER CAD DRAWING BY HAND RoHS & REACH compliant	Index a - Ä5703 rbo 01.07.15 Data sheet updated, contact assignment modified		dim. in mm		title: Connecting cable, male connector RJ45 - female socket M12x1, backmounting	
			date	name		
	tolerance of cable: L <= 4m: L + 40mm L > 4m: L + 1%		drawn	23.09.10	Fromm	dwg no: 43K1A1193
	general tolerance: 0 ± 0,50mm 0,0 ± 0,25mm 0,00 ± 0,10mm x ± 5°		appd.	23.09.10	W.Schmidt	
THIS DRAWING MAY NOT BE COPIED OR REPRODUCED IN ANY WAY, AND MAY NOT BE PASSED ON TO A THIRD PARTY WITHOUT WRITTEN PERMISSION. OWNERSHIP AND COPYRIGHT OF CONEC GmbH		CONEC®		part no: see table		

