



Chipsmall Limited consists of a professional team with an average of over 10 year of expertise in the distribution of electronic components. Based in Hongkong, we have already established firm and mutual-benefit business relationships with customers from,Europe,America and south Asia,supplying obsolete and hard-to-find components to meet their specific needs.

With the principle of "Quality Parts,Customers Priority,Honest Operation,and Considerate Service",our business mainly focus on the distribution of electronic components. Line cards we deal with include Microchip,ALPS,ROHM,Xilinx,Pulse,ON,Everlight and Freescale. Main products comprise IC,Modules,Potentiometer,IC Socket,Relay,Connector.Our parts cover such applications as commercial,industrial, and automotives areas.

We are looking forward to setting up business relationship with you and hope to provide you with the best service and solution. Let us make a better world for our industry!



## Contact us

Tel: +86-755-8981 8866 Fax: +86-755-8427 6832

Email & Skype: info@chipsmall.com Web: www.chipsmall.com

Address: A1208, Overseas Decoration Building, #122 Zhenhua RD., Futian, Shenzhen, China



**Technical specification:**

Rated voltage: 8pos  
IEC 61076-2-109 48 V

Current rating: 8pos  
IEC 61076-2-109 0,5 A at 40°C

Transfer properties: CAT 6A / 10 GBit/s  
IEC 61076-2-109

Insulation resistance: >=100 MΩ  
IEC 60512

Pollution degree: 3  
IEC 60664-1

Degree of protection: IP 67, in mated condition  
IEC 60529

Temperature range: -25°C ... +95°C  
EN 60512-11-10  
EN 60512-11-4 -40°C ... +85°C

Mating cycles: >=100  
IEC 60512-9a

Spring force axial flange height 6,0mm: 3-4N

Total spring force with case diameter 11,4mm: max 10N

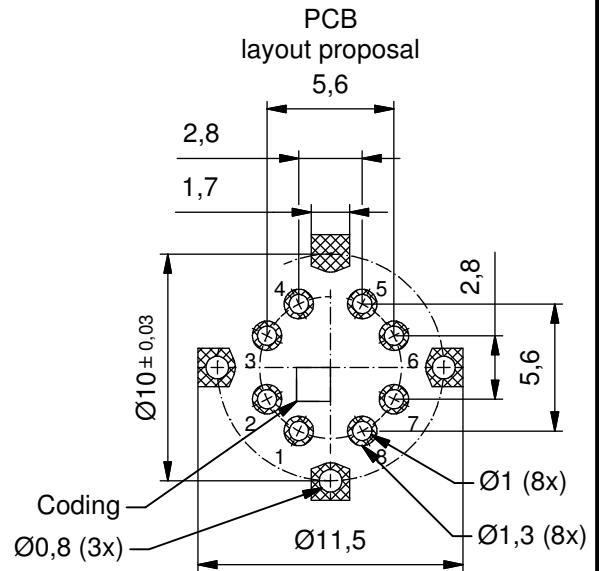
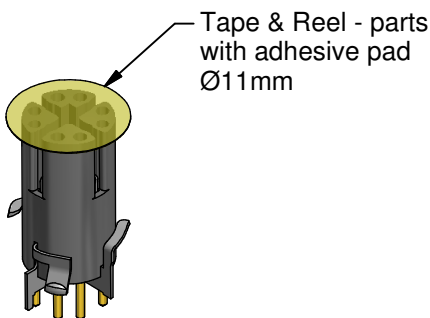
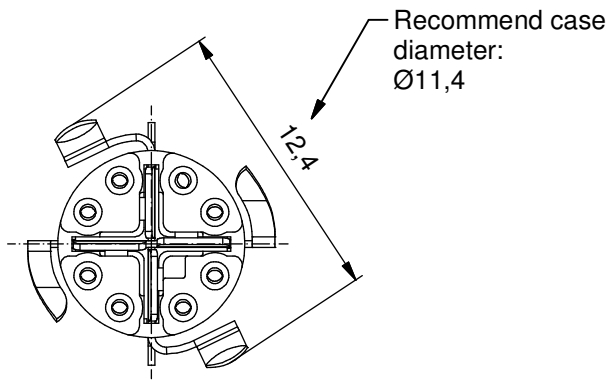
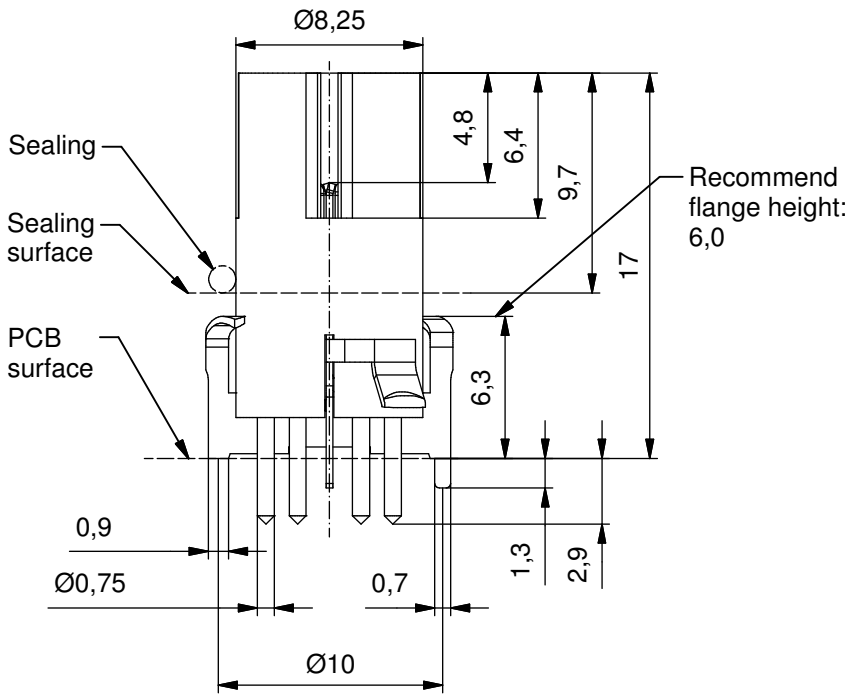
**Materials:**

Contact: CuZn, Ni b / Au 0,2 gal.

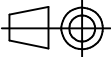

Contact carrier: LCP GF

Shielding cross: CuSn, Ni / sel. Sn

Suitable for reflow soldering  
max. 60s / 250°C



Part no. packing unit Tape & Reel:	Part no. packing unit in bulk:	Description:	Pos
43-02363TR	43-02363	SAL - 12X - IK8 / THR	8

DO NOT ALTER CAD DRAWING BY HAND	RoHS & REACH compliant	 dim. in mm		title: Insulating body female M12x1 THR, X-Cod.									
			date			name							
			drawn	17.03.16	Brüntrup	dwg no: 43K1A2869							
			appd.	17.03.16	Willer								
general tolerance: <table style="margin-left: 20px;"> <tr><td>0</td><td>± 0,50mm</td></tr> <tr><td>0,0</td><td>± 0,25mm</td></tr> <tr><td>0,00</td><td>± 0,10mm</td></tr> <tr><td>*</td><td>± 1,5°</td></tr> </table>		0	± 0,50mm	0,0	± 0,25mm	0,00	± 0,10mm	*	± 1,5°			part no: see table	
0	± 0,50mm												
0,0	± 0,25mm												
0,00	± 0,10mm												
*	± 1,5°												
THIS DRAWING MAY NOT BE COPIED OR REPRODUCED IN ANY WAY, AND MAY NOT BE PASSED ON TO A THIRD PARTY WITHOUT WRITTEN PERMISSION. OWNERSHIP AND COPYRIGHT OF CONEC GmbH													