



Chipsmall Limited consists of a professional team with an average of over 10 year of expertise in the distribution of electronic components. Based in Hongkong, we have already established firm and mutual-benefit business relationships with customers from,Europe,America and south Asia,supplying obsolete and hard-to-find components to meet their specific needs.

With the principle of “Quality Parts,Customers Priority,Honest Operation,and Considerate Service”,our business mainly focus on the distribution of electronic components. Line cards we deal with include Microchip,ALPS,ROHM,Xilinx,Pulse,ON,Everlight and Freescale. Main products comprise IC,Modules,Potentiometer,IC Socket,Relay,Connector.Our parts cover such applications as commercial,industrial, and automotives areas.

We are looking forward to setting up business relationship with you and hope to provide you with the best service and solution. Let us make a better world for our industry!



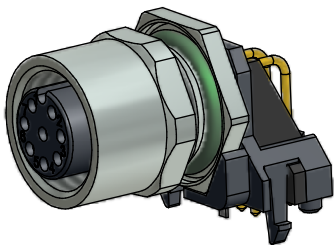
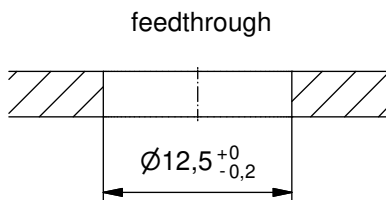
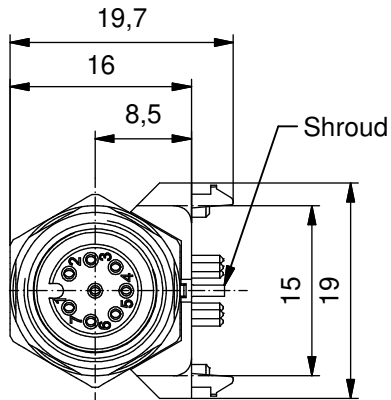
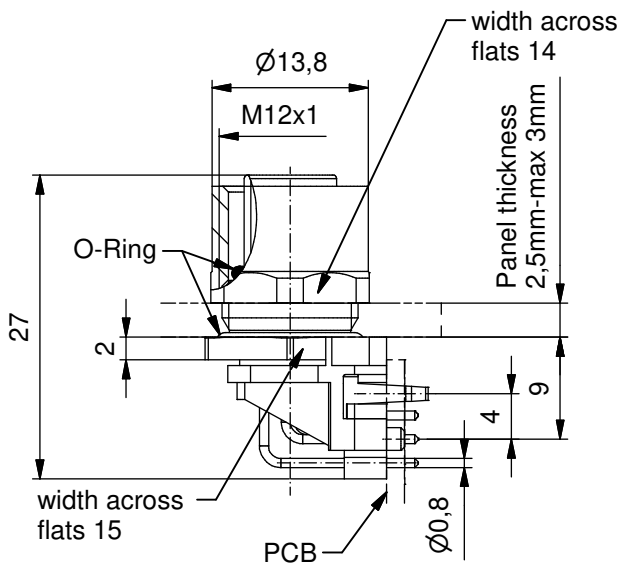
Contact us

Tel: +86-755-8981 8866 Fax: +86-755-8427 6832

Email & Skype: info@chipsmall.com Web: www.chipsmall.com

Address: A1208, Overseas Decoration Building, #122 Zhenhua RD., Futian, Shenzhen, China





Technical specification:

Rated voltage: 30 V
IEC 61076-2-101
Current rating: 2 A at 40°C
IEC 61076-2-101
Insulation resistance: >=100 MΩ
IEC 60512
Pollution degree: 3/2
IEC 60664-1
Degree of protection: IP 67, in mated condition
IEC 60529
Temperature range: -30°C ... +85°C
EN 60512-11-10
-40°C ... +85°C
EN 60512-11-4
Mating cycles: >=100
IEC 60512-9a

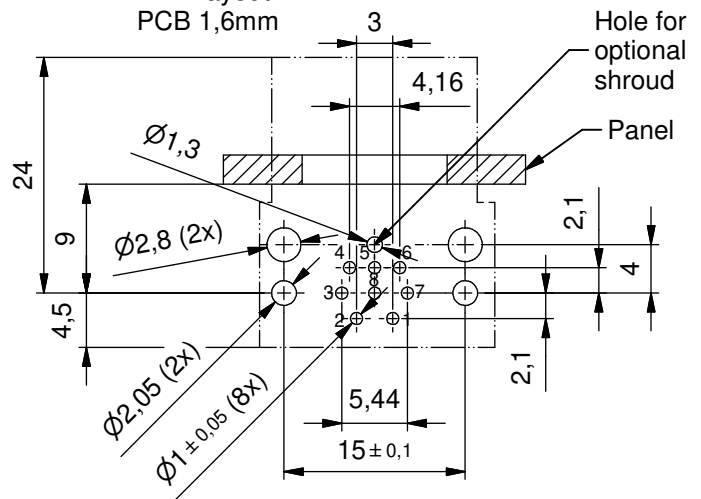
Materials:

Contact: CuZn, Ni b / Au 0,2 gal.
Contact carrier: PA GF, UL 94 V-0
Sealing: FPM / NBR
Socket housing: CuZn, nickel plated
Shroud: spring steel, nickel plated

Installation specification:

recommended torque: 0,8-1 Nm
Conec installation tool: Torque wrench: 36-000200
Insert across flats 14: 36-000370
Insert across flats 15: 36-000320

Pin Layout PCB 1,6mm

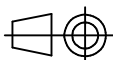


Part no:	Description:	Pos	Note:
43-02739	SAL - 12 - FKHW8	8	
43-02740	SAL - 12S - IFKHW8	8	with shroud

DO NOT ALTER CAD DRAWING BY HAND

RoHS & REACH compliant

Index: a 11.05.16 fro Ä4884
data sheet revised, width across flats was 15 ist 14



dim. in mm

	date	name
drawn	07.01.16	Böckeler
appd.	07.01.16	Fromm

general tolerance:
0 ± 0,50mm
0,0 ± 0,25mm
0,00 ± 0,10mm
* ± 1,5°



THIS DRAWING MAY NOT BE COPIED OR REPRODUCED IN ANY WAY, AND MAY NOT BE PASSED ON TO A THIRD PARTY WITHOUT WRITTEN PERMISSION. OWNERSHIP AND COPYRIGHT OF CONEC GmbH

title:

Female socket M12x1 angled, backmounting, dip solder

dwg no:

43K1A3071

part no:

see table