



Chipsmall Limited consists of a professional team with an average of over 10 year of expertise in the distribution of electronic components. Based in Hongkong, we have already established firm and mutual-benefit business relationships with customers from,Europe,America and south Asia,supplying obsolete and hard-to-find components to meet their specific needs.

With the principle of “Quality Parts,Customers Priority,Honest Operation,and Considerate Service”,our business mainly focus on the distribution of electronic components. Line cards we deal with include Microchip,ALPS,ROHM,Xilinx,Pulse,ON,Everlight and Freescale. Main products comprise IC,Modules,Potentiometer,IC Socket,Relay,Connector.Our parts cover such applications as commercial,industrial, and automotives areas.

We are looking forward to setting up business relationship with you and hope to provide you with the best service and solution. Let us make a better world for our industry!



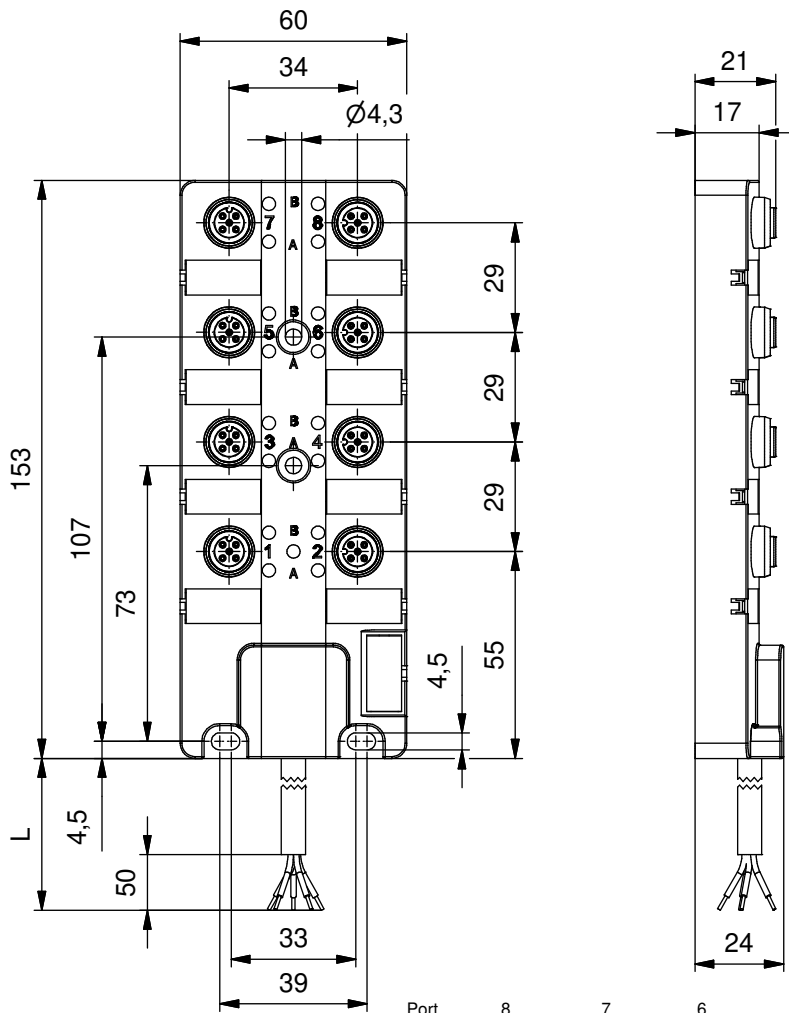
Contact us

Tel: +86-755-8981 8866 Fax: +86-755-8427 6832

Email & Skype: info@chipsmall.com Web: www.chipsmall.com

Address: A1208, Overseas Decoration Building, #122 Zhenhua RD., Futian, Shenzhen, China



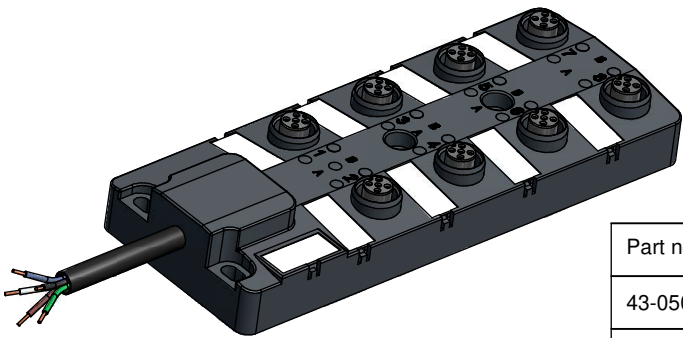
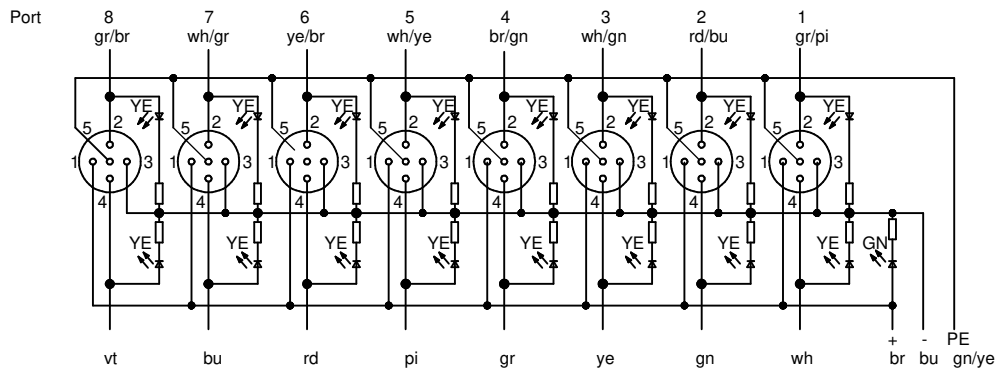


Technical specification:

Rated voltage: IEC 61076-2-101	max. 30 V
Current rating: IEC 61076-2-101	2A signal contact, total ampacity max. 12A
Insulation resistance: IEC 60512	>=100 MΩ
Pollution degree: IEC 60664-1	3/2
Degree of protection: IEC 60529	IP 67, in mated condition
Temperature range: IEC 60664-1	-20°C ... +80°C (unmoved)
Mating cycles: IEC 60512-9a	>=100

Materials:

Contact:	CuSn6
Contact plating:	Nickel, gold plated
Contact carrier:	PBT, UL 94
Sealing:	FPM
Housing:	PBT, UL 94 similar to RAL 7024
Grouting:	Polyurethane-resin, UL 94



Part no:	Description:	Length L:	Cable:
43-05012	SAL - 12 - 8FK5 - 17L - 5 / K3	5m	TPU, UL 21198, black, 3x1,0mm ² + 16x0,34mm ²
43-05013	SAL - 12 - 8FK5 - 17L - 10 / K3	10m	

DO NOT ALTER CAD DRAWING BY HAND Directive 2002/95/EC RoHS compliant	Index: b 22.08.11 VF Ä3941 data sheet revised	dim. in mm		title: Junction box M12x1 8-way with cable, plastic housing	
		date	name		
	tolerance of cable: L ≤ 4m: L + 40mm L > 4m: L + 1%	drawn 30.10.07	Fromm		dwg no: 43K1A566
	general tolerance: 0 ± 0,50mm 0,0 ± 0,25mm 0,00 ± 0,10mm	appd. 14.02.08	W. Schmidt		
CONEC ®				part no: see table	

THIS DRAWING MAY NOT BE COPIED OR REPRODUCED IN ANY WAY, AND MAY NOT BE PASSED ON TO A THIRD PARTY WITHOUT WRITTEN PERMISSION. OWNERSHIP AND COPYRIGHT OF CONEC GmbH