



Chipsmall Limited consists of a professional team with an average of over 10 year of expertise in the distribution of electronic components. Based in Hongkong, we have already established firm and mutual-benefit business relationships with customers from,Europe,America and south Asia,supplying obsolete and hard-to-find components to meet their specific needs.

With the principle of “Quality Parts,Customers Priority,Honest Operation,and Considerate Service”,our business mainly focus on the distribution of electronic components. Line cards we deal with include Microchip,ALPS,ROHM,Xilinx,Pulse,ON,Everlight and Freescale. Main products comprise IC,Modules,Potentiometer,IC Socket,Relay,Connector.Our parts cover such applications as commercial,industrial, and automotives areas.

We are looking forward to setting up business relationship with you and hope to provide you with the best service and solution. Let us make a better world for our industry!



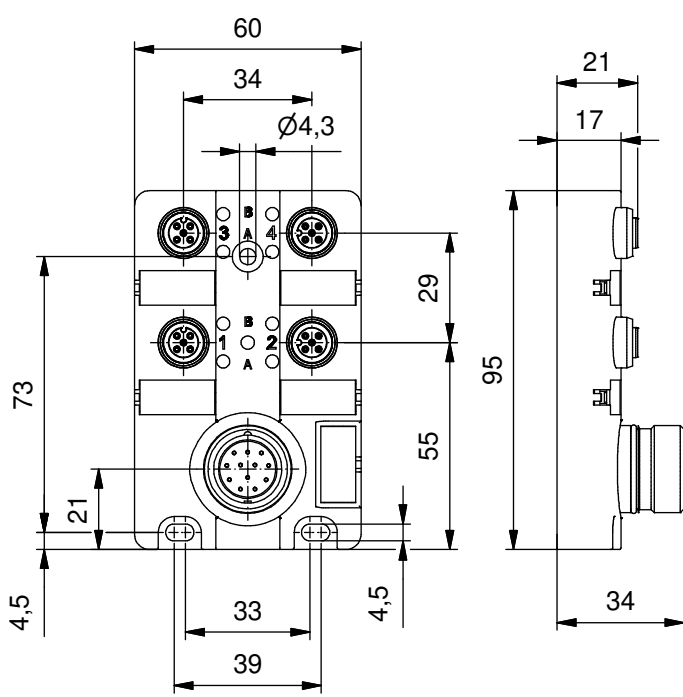
Contact us

Tel: +86-755-8981 8866 Fax: +86-755-8427 6832

Email & Skype: info@chipsmall.com Web: www.chipsmall.com

Address: A1208, Overseas Decoration Building, #122 Zhenhua RD., Futian, Shenzhen, China





Technical specification:

Rated voltage: max. 30 V

Current rating: 2A signal contact, total ampacity max. 12A

Insulation resistance: IEC 60512 >=100 MΩ

Pollution degree: IEC 60664-1 3/2

Degree of protection: IEC 60529 IP 67, in mated condition

Temperature range: IEC 60664-1 -20°C ... +80°C (unmoved)

Mating cycles: IEC 60512-9a <=100

Materials:

Contact: CuSn6

Contact plating: Nickel, gold plated

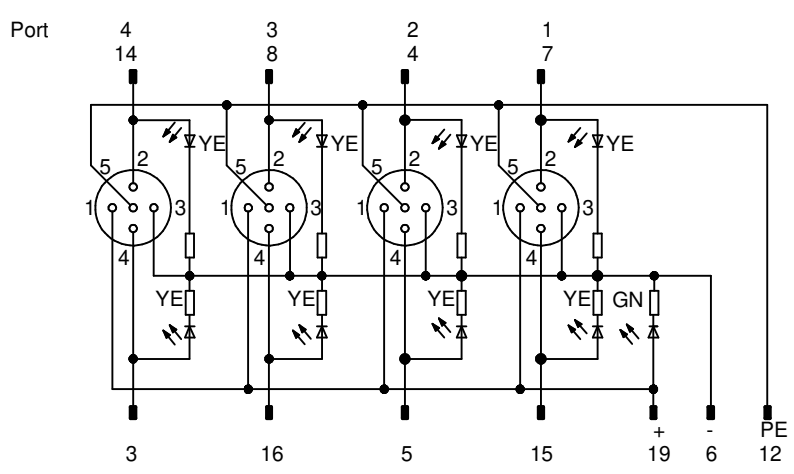
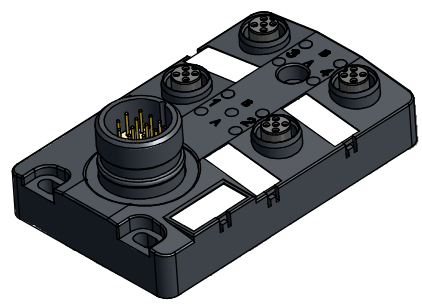
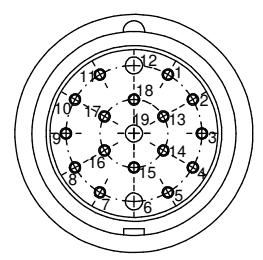
Contact carrier: PBT, UL 94

Sealing: FPM

Housing: PBT, UL 94 similar to RAL 7024

Grouting: Polyurethane-resin, UL 94

Pin-Configuration M23x1



Part no:	Description:
43-05014	SAL - 12 - 4FK5 - 9L

DO NOT ALTER CAD DRAWING BY HAND Directive 2002/95/EC RoHS compliant	Index: b 22.08.11 VF Ä3941 data sheet revised	dim. in mm	title: Junction box M12x1 4-way with connector M23x1, plastic housing						
	tolerance of cable:	<table border="1"> <tr> <td>date</td> <td>name</td> </tr> <tr> <td>05.10.07</td> <td>Fromm</td> </tr> <tr> <td>14.02.08</td> <td>W. Schmidt</td> </tr> </table>		date	name	05.10.07	Fromm	14.02.08	W. Schmidt
	date	name							
	05.10.07	Fromm							
14.02.08	W. Schmidt								
general tolerance:		part no: see table							
THIS DRAWING MAY NOT BE COPIED OR REPRODUCED IN ANY WAY, AND MAY NOT BE PASSED ON TO A THIRD PARTY WITHOUT WRITTEN PERMISSION. OWNERSHIP AND COPYRIGHT OF CONEC GmbH									