



Chipsmall Limited consists of a professional team with an average of over 10 year of expertise in the distribution of electronic components. Based in Hongkong, we have already established firm and mutual-benefit business relationships with customers from,Europe,America and south Asia,supplying obsolete and hard-to-find components to meet their specific needs.

With the principle of “Quality Parts,Customers Priority,Honest Operation,and Considerate Service”,our business mainly focus on the distribution of electronic components. Line cards we deal with include Microchip,ALPS,ROHM,Xilinx,Pulse,ON,Everlight and Freescale. Main products comprise IC,Modules,Potentiometer,IC Socket,Relay,Connector.Our parts cover such applications as commercial,industrial, and automotives areas.

We are looking forward to setting up business relationship with you and hope to provide you with the best service and solution. Let us make a better world for our industry!



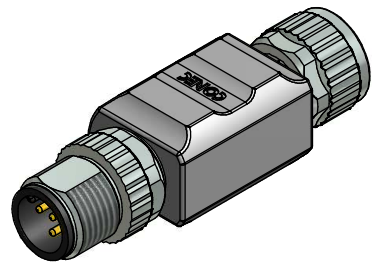
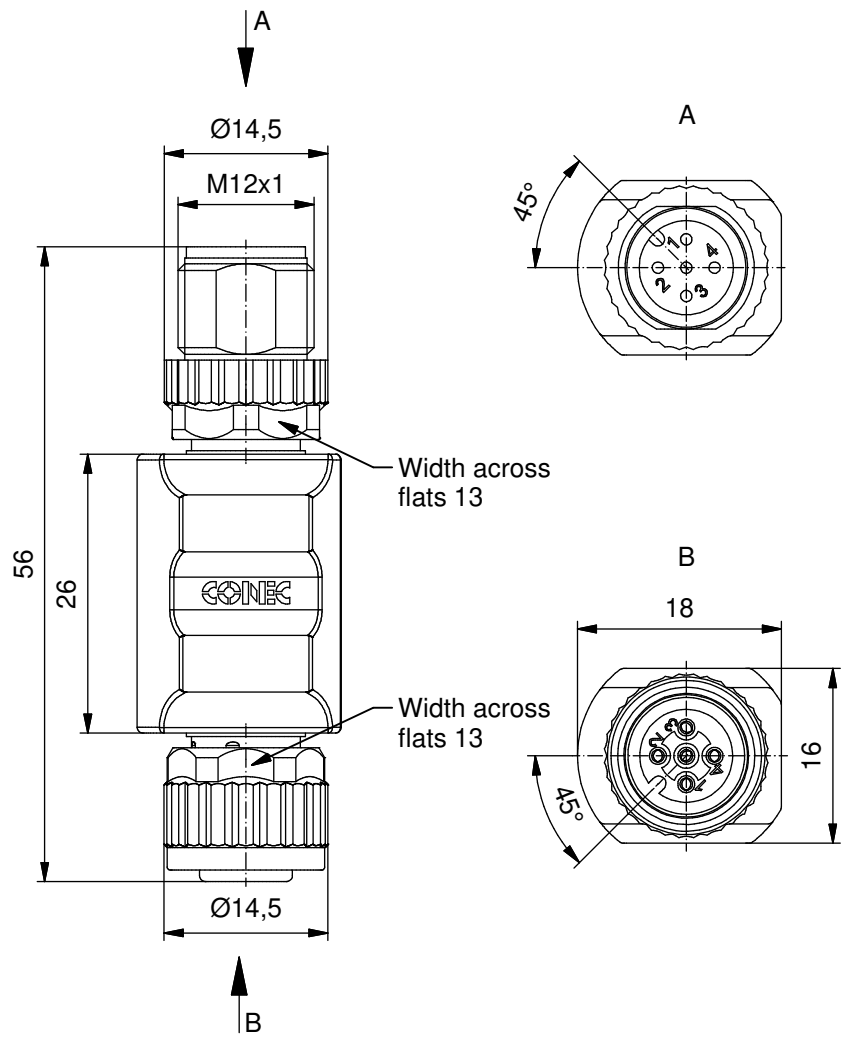
Contact us

Tel: +86-755-8981 8866 Fax: +86-755-8427 6832

Email & Skype: info@chipsmall.com Web: www.chipsmall.com

Address: A1208, Overseas Decoration Building, #122 Zhenhua RD., Futian, Shenzhen, China





Technical specification:

Rated voltage: IEC 61076-2-101	4pol 5pol 240 V 60 V
Current rating: IEC 61076-2-101	4 A at 40°C
Insulation resistance: IEC 60512	>=100 MΩ
Pollution degree: IEC 60664-1	3/2
Degree of protection: IEC 60529	IP 67, in mated condition
Temperature range: IEC 60664-1	-30°C ... +80°C
Mating cycles: IEC 60512-9a	>=100

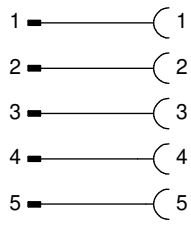
Materials:

Contact:	CuZn
Contact plating:	Nickel, gold plated
Contact carrier:	TPU GF, UL 94
Sealing:	FPM
Coupling nut/ screw:	GD-Zn, nickel plated
Moulding body:	TPU, UL 94, grey

Installation specification:

Recommended torque:	0,6 Nm
Conec installation tool:	Torque wrench: 36-000200 Insert across flats 13: 36-000220

Contact assignment:



Part no:	Description:
43-05130	SAL - 12 - TS4 - TK4
43-05131	SAL - 12 - TS5 - TK5

DO NOT ALTER CAD DRAWING BY HAND Directive 2002/95/EC RoHS compliant	Index: a 28.03.11 VF Ä3767 Coupling nut/ screw modified, spanner flats added, data sheet modified		title: Adapter, male connector M12x1 - female connector M12x1 dwg no: 43K1A958 part no: see table						
	tolerance of cable:			<table border="1"> <tr> <td>date</td> <td>name</td> </tr> <tr> <td>drawn 06.10.09</td> <td>Fromm</td> </tr> <tr> <td>appd. 06.10.09</td> <td>Mankopf</td> </tr> </table>	date	name	drawn 06.10.09	Fromm	appd. 06.10.09
	date	name							
	drawn 06.10.09	Fromm							
appd. 06.10.09	Mankopf								
general tolerance:	<table border="0"> <tr> <td>0</td> <td>± 0,50mm</td> </tr> <tr> <td>0,0</td> <td>± 0,25mm</td> </tr> <tr> <td>0,00</td> <td>± 0,10mm</td> </tr> </table>	0	± 0,50mm	0,0	± 0,25mm	0,00	± 0,10mm		
0	± 0,50mm								
0,0	± 0,25mm								
0,00	± 0,10mm								
THIS DRAWING MAY NOT BE COPIED OR REPRODUCED IN ANY WAY, AND MAY NOT BE PASSED ON TO A THIRD PARTY WITHOUT WRITTEN PERMISSION. OWNERSHIP AND COPYRIGHT OF CONEC GmbH									