



Chipsmall Limited consists of a professional team with an average of over 10 year of expertise in the distribution of electronic components. Based in Hongkong, we have already established firm and mutual-benefit business relationships with customers from,Europe,America and south Asia,supplying obsolete and hard-to-find components to meet their specific needs.

With the principle of "Quality Parts,Customers Priority,Honest Operation,and Considerate Service",our business mainly focus on the distribution of electronic components. Line cards we deal with include Microchip,ALPS,ROHM,Xilinx,Pulse,ON,Everlight and Freescale. Main products comprise IC,Modules,Potentiometer,IC Socket,Relay,Connector.Our parts cover such applications as commercial,industrial, and automotives areas.

We are looking forward to setting up business relationship with you and hope to provide you with the best service and solution. Let us make a better world for our industry!



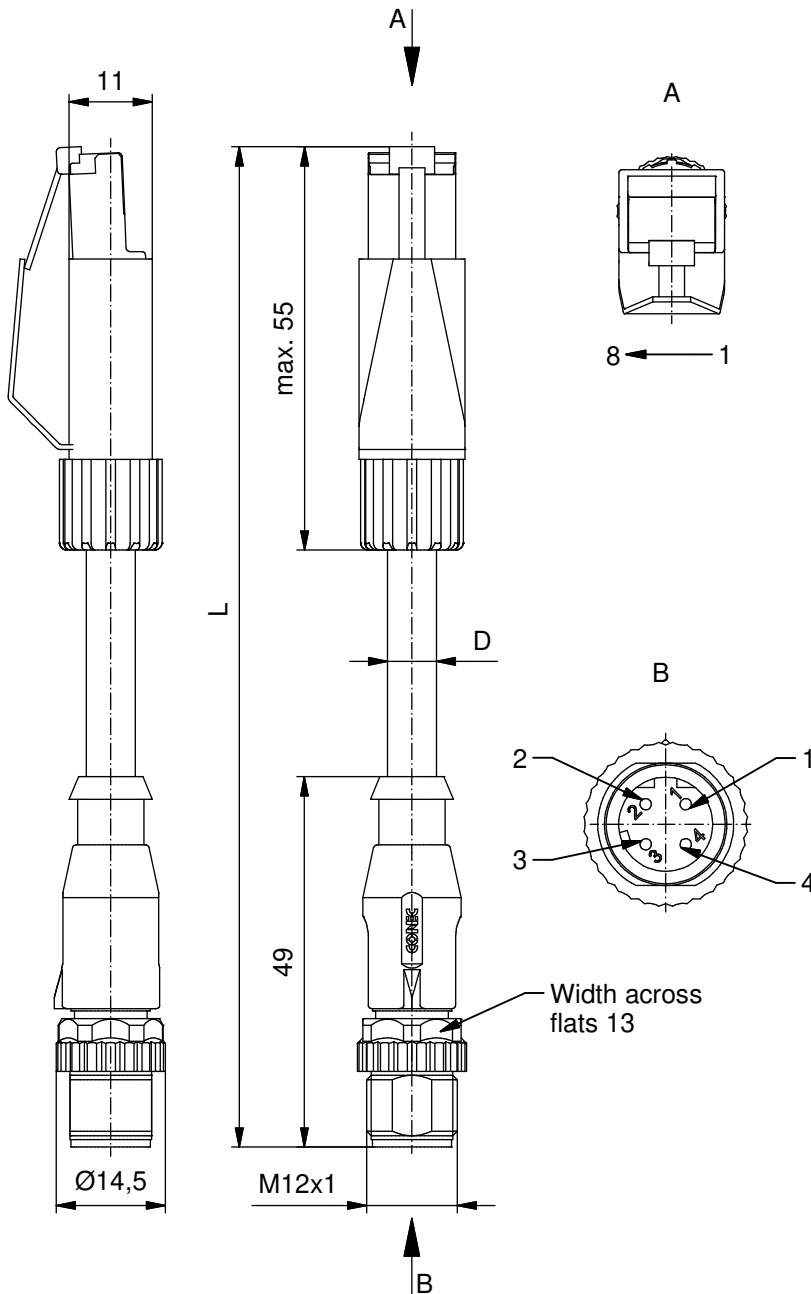
Contact us

Tel: +86-755-8981 8866 Fax: +86-755-8427 6832

Email & Skype: info@chipsmall.com Web: www.chipsmall.com

Address: A1208, Overseas Decoration Building, #122 Zhenhua RD., Futian, Shenzhen, China





Technical specification:

Rated voltage:	48 V
Current rating:	350mA at 40°C
Transmission characteristics: IEC 60512-2	Class D ISO IEC 11801
Pollution degree: IEC 60664-1	3/2
Degree of protection: IEC 60529 (M12x1)	IP 67, in mated condition
Degree of protection: IEC 60529 (RJ45)	IP 20, connected
Temperature range: IEC 60664-1	-30°C ... +70°C
Mating cycles: IEC 60512-9a	>=100

Materials male connector M12x1:

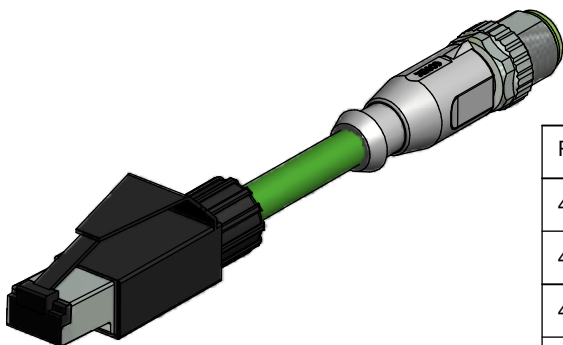
Contact:	CuZn
Contact plating:	Nickel, gold plated
Contact carrier:	PBT GF, UL 94
Coupling screw:	GD-Zn, nickel plated
Moulding body:	TPU, UL 94, grey

Installation specification:

Recommended torque:	0,6 Nm
Conec installation tool:	Torque wrench: 36-000200 Insert across flats 13: 36-000220

Contact assignment:

1	yellow	1
3	white	2
2	orange	3
6	blue	4
Shielding		
RJ45		M12x1



Part no:	Description:	Length L:	Cable:
43-12484	SAL - 45 - SS4 - 12D - RS4.2 - 0,3 / G6	0,3m	TPU, UL, green (RAL 6018), 4xAWG22 Cable: 781-G63400
43-12485	SAL - 45 - SS4 - 12D - RS4.2 - 0,6 / G6	0,6m	
43-10996	SAL - 45 - SS4 - 12D - RS4.2 - 1,5 / G6	1,5m	
43-10997	SAL - 45 - SS4 - 12D - RS4.2 - 3 / G6	3m	
43-xxxxx	SAL - 45 - SS4 - 12D - RS4.2 - ... / G6	x	

D see data sheet cable

DO NOT ALTER CAD DRAWING BY HAND Directive 2002/95/EC RoHS compliant	Index: a 29.09.11 VF Ä3767 Coupling screw modified, spanner flats added, data sheet modified	dim. in mm	title: Connecting cable, male connector RJ45 - male connector M12x1					
				<table border="1"> <tr> <td>date</td> <td>name</td> </tr> <tr> <td>30.10.08</td> <td>Mankopf</td> </tr> <tr> <td>30.10.08</td> <td>Fromm</td> </tr> </table>	date	name	30.10.08	Mankopf
	date	name						
	30.10.08	Mankopf						
	30.10.08	Fromm						
tolerance of cable: L ≤ 4m: L + 40mm L > 4m: L + 1%		dwg no: 43K1A797						
general tolerance: 0 ± 0,50mm 0,0 ± 0,25mm 0,00 ± 0,10mm		part no: see table						
<small>THIS DRAWING MAY NOT BE COPIED OR REPRODUCED IN ANY WAY, AND MAY NOT BE PASSED ON TO A THIRD PARTY WITHOUT WRITTEN PERMISSION. OWNERSHIP AND COPYRIGHT OF CONEC GmbH</small>								