



Chipsmall Limited consists of a professional team with an average of over 10 year of expertise in the distribution of electronic components. Based in Hongkong, we have already established firm and mutual-benefit business relationships with customers from,Europe,America and south Asia,supplying obsolete and hard-to-find components to meet their specific needs.

With the principle of “Quality Parts,Customers Priority,Honest Operation,and Considerate Service”,our business mainly focus on the distribution of electronic components. Line cards we deal with include Microchip,ALPS,ROHM,Xilinx,Pulse,ON,Everlight and Freescale. Main products comprise IC,Modules,Potentiometer,IC Socket,Relay,Connector.Our parts cover such applications as commercial,industrial, and automotives areas.

We are looking forward to setting up business relationship with you and hope to provide you with the best service and solution. Let us make a better world for our industry!



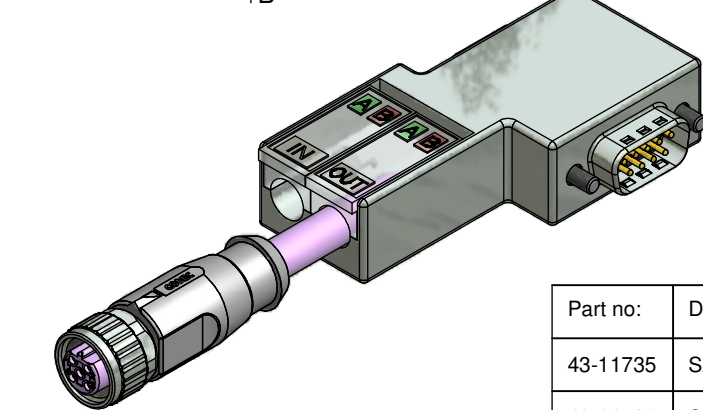
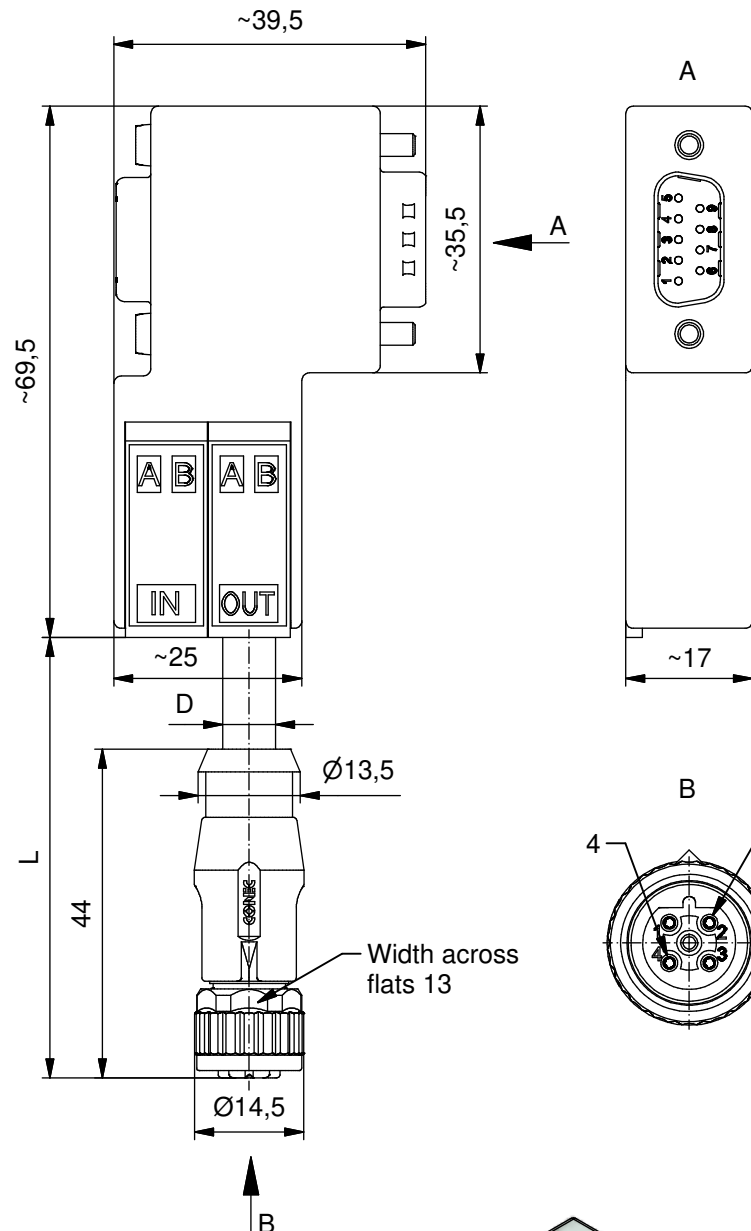
## Contact us

Tel: +86-755-8981 8866 Fax: +86-755-8427 6832

Email & Skype: info@chipsmall.com Web: www.chipsmall.com

Address: A1208, Overseas Decoration Building, #122 Zhenhua RD., Futian, Shenzhen, China





**Technical specification:**

Rated voltage: 4,75 - 5,25 V DC  
 Degree of protection: IP 67 with M12x1  
 IEC 60529 IP 40 with D-Sub  
 Temperatur range: -25°C ... +60°C  
 IEC 60664-1  
 Mating cycles: >=100  
 IEC 60512-9a  
 D-Sub male connector: with connectable terminal resistor

**Materials:**

**M12x1:**

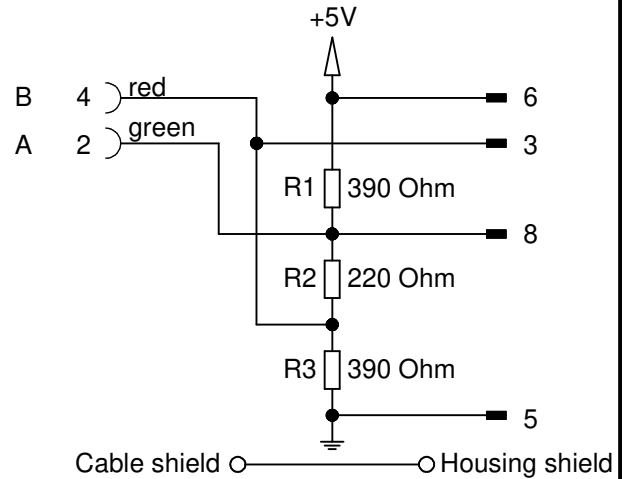
Contact: CuZn, CuBe  
 Contact plating: Nickel, gold plated  
 Contact carrier: PBT GF, UL 94  
 Sealing: FPM  
 Coupling nut: GD-Zn, nickel plated  
 Moulding body: TPU, UL 94, grey

**D-Sub:**

Housing: Thermoplastic, chromed  
 Contact: IDC-contact CuSn, CuZn

**Installation specification:**

Recommended torque: 0,6 Nm  
 Conec installation tool: Torque wrench: 36-000200  
 Insert across flats 13: 36-000220



Part no:	Description:	Length L:	Cable:
43-11735	SAL - DS - SKSW9 - 12B - RK4.1 - 2 / G4	2m	TPU, UL, violet, 2xAWG22 Cable: 781-G43200
43-11736	SAL - DS - SKSW9 - 12B - RK4.1 - 3 / G4	3m	
43-11737	SAL - DS - SKSW9 - 12B - RK4.1 - 5 / G4	5m	

D see data sheet cable

DO NOT ALTER CAD DRAWING BY HAND Directive 2002/95/EC RoHS compliant	Index: a 03.03.11 VF Ä3767 Coupling nut modified, spanner flats added, data sheet modified	dim. in mm	title: <b>Connecting cable, M12x1 - D-Sub 9pos angled with terminal resistor, PDP</b>		
	tolerance of cable: L ≤ 4m: L + 40mm L > 4m: L + 1%			date	name
	THIS DRAWING MAY NOT BE COPIED OR REPRODUCED IN ANY WAY, AND MAY NOT BE PASSED ON TO A THIRD PARTY WITHOUT WRITTEN PERMISSION. OWNERSHIP AND COPYRIGHT OF CONEC GmbH	drawn		06.03.08	Franz
		appd.		29.04.08	Schmidt
		dwg no: <b>43K1A640</b>			
		part no: see table			