



Chipsmall Limited consists of a professional team with an average of over 10 year of expertise in the distribution of electronic components. Based in Hongkong, we have already established firm and mutual-benefit business relationships with customers from,Europe,America and south Asia,supplying obsolete and hard-to-find components to meet their specific needs.

With the principle of “Quality Parts,Customers Priority,Honest Operation,and Considerate Service”,our business mainly focus on the distribution of electronic components. Line cards we deal with include Microchip,ALPS,ROHM,Xilinx,Pulse,ON,Everlight and Freescale. Main products comprise IC,Modules,Potentiometer,IC Socket,Relay,Connector.Our parts cover such applications as commercial,industrial, and automotives areas.

We are looking forward to setting up business relationship with you and hope to provide you with the best service and solution. Let us make a better world for our industry!



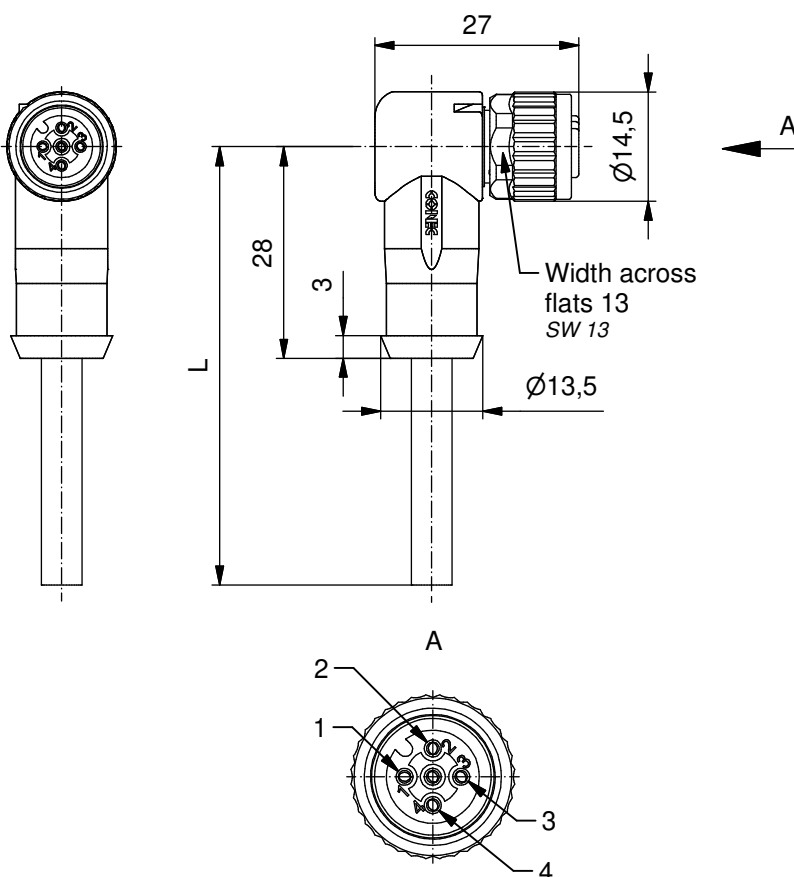
Contact us

Tel: +86-755-8981 8866 Fax: +86-755-8427 6832

Email & Skype: info@chipsmall.com Web: www.chipsmall.com

Address: A1208, Overseas Decoration Building, #122 Zhenhua RD., Futian, Shenzhen, China





Technical specification:

Technische Daten:

Rated Voltage/ Bemessungsspannung:	60 V
IEC 61076-2-101	
Current rating/ Strombelastbarkeit:	4 A / 40°C
IEC 61076-2-101	
Insulation resistance/ Isolationswiderstand:	>=100 MΩ
IEC 60512	
Pollution degree/ Verschmutzungsgrad:	3/2
IEC 60664-1	
Degree of protection/ Schutzart:	IP 67, in mated condition/ im verschraubten Zustand
IEC 60529	
Temperature range/ Umgebungstemperatur:	-30°C ... +80°C
EN 60512-11-10	-40°C
EN 60512-11-4	-40°C ... +85°C
Mating cycles/ Steckzyklen:	>=100
IEC 60512-9a	

Cable specification:

Kabeleigenschaften:

Temperatur range/ Umgebungstemperatur:	
static/fest verlegt	-40°C ... +80°C
flexible/bewegt	-20°C ... +80°C

Materials/

Werkstoffe:

Contact/ Kontakt:	CuZn, Ni b / Au 0,2 gal.
Contact carrier/ Kontaktträger:	PA, UL 94 V-0
Coupling nut/ Überwurfmutter:	GD-Zn, Ni
Sealing/ Dichtung:	FPM
Moulding body/ Griffkörper:	TPU, UL 94 HB, grey/grau

Kontaktbelegung/

Contact assignment:

1	brown/ braun
2	white/ weiß
3	blue/ blau
4	black/ schwarz
5	grey/ grau

Shielding coupling nut/
 Schirmauflage Überwurfmutter

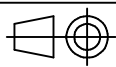
Installation specification/

Montagedaten:

Recommended torque/ empfohlenes Drehmoment:	0,6 Nm
Conec	Torque wrench/ Drehmomentschlüssel:
Installation tool/ Montagewerkzeug:	36-000200 Insert across flats13/ Steckeinsatz SW13: 36-000220

Part no./ Art.-Nr.:	Conec Description/ Conec Bezeichnung:	Length L/ Länge L:	Cable/ Kabel:
43-12423	SAL - 12S - RKW5.1 - 2 / G3	2m	PVC, UL 2464, grey/ grau, 5x0,25mm², Li9YFCVIY Cable/Kabel: 781-G32500
43-12424	SAL - 12S - RKW5.1 - 3 / G3	3m	
43-12425	SAL - 12S - RKW5.1 - 5 / G3	5m	
43-12426	SAL - 12S - RKW5.1 - 10 / G3	10m	
43-xxxxx	SAL - 12S - RKW5.1 - ... / G3	x	

tolerance of cable/
 Kabeltoleranz: L <= 4m: L + 40mm
 L > 4m: L + 1%



dim. in mm

general tolerance/
 Allgemeintoleranz:

0	± 0,50mm
0,0	± 0,25mm
0,00	± 0,10mm
*	± 5°

	Date/Datum	Name
drawn/ gez.	13.10.08	Mankopf
appd./ gepr.	13.10.08	Fromm

**Female M12x1 angled
 360°-shielding
 Kupplung M12x1 gewinkelt
 360°-Schirmung**

Index: b 07.04.2017 rch Ä6562

scale/Maßstab:

Status: Freigegeben



dwg no /
 Z.-nr.:

43K1A758

DIN-
A4

RoHS & REACH compliant/konform

Customer Specific Product

1 / 1

The reproduction, distribution and utilization of this document as well as the communication of its contents to others without express authorization is prohibited. Offenders will be held liable for the payment of damages. All rights reserved in the event of the grant of a patent, utility model or design. Weitergabe sowie Vervielfältigung dieses Dokuments, Verwertung und Mitteilung seines Inhalts sind verboten, soweit nicht ausdrücklich gestattet. Zuwiderhandlungen verpflichten zu Schadenersatz. Alle Rechte für den Fall der Patent-, Gebrauchsmuster- oder Geschmacksmarkeneintragung vorbehalten.