



Chipsmall Limited consists of a professional team with an average of over 10 year of expertise in the distribution of electronic components. Based in Hongkong, we have already established firm and mutual-benefit business relationships with customers from,Europe,America and south Asia,supplying obsolete and hard-to-find components to meet their specific needs.

With the principle of “Quality Parts,Customers Priority,Honest Operation,and Considerate Service”,our business mainly focus on the distribution of electronic components. Line cards we deal with include Microchip,ALPS,ROHM,Xilinx,Pulse,ON,Everlight and Freescale. Main products comprise IC,Modules,Potentiometer,IC Socket,Relay,Connector.Our parts cover such applications as commercial,industrial, and automotives areas.

We are looking forward to setting up business relationship with you and hope to provide you with the best service and solution. Let us make a better world for our industry!



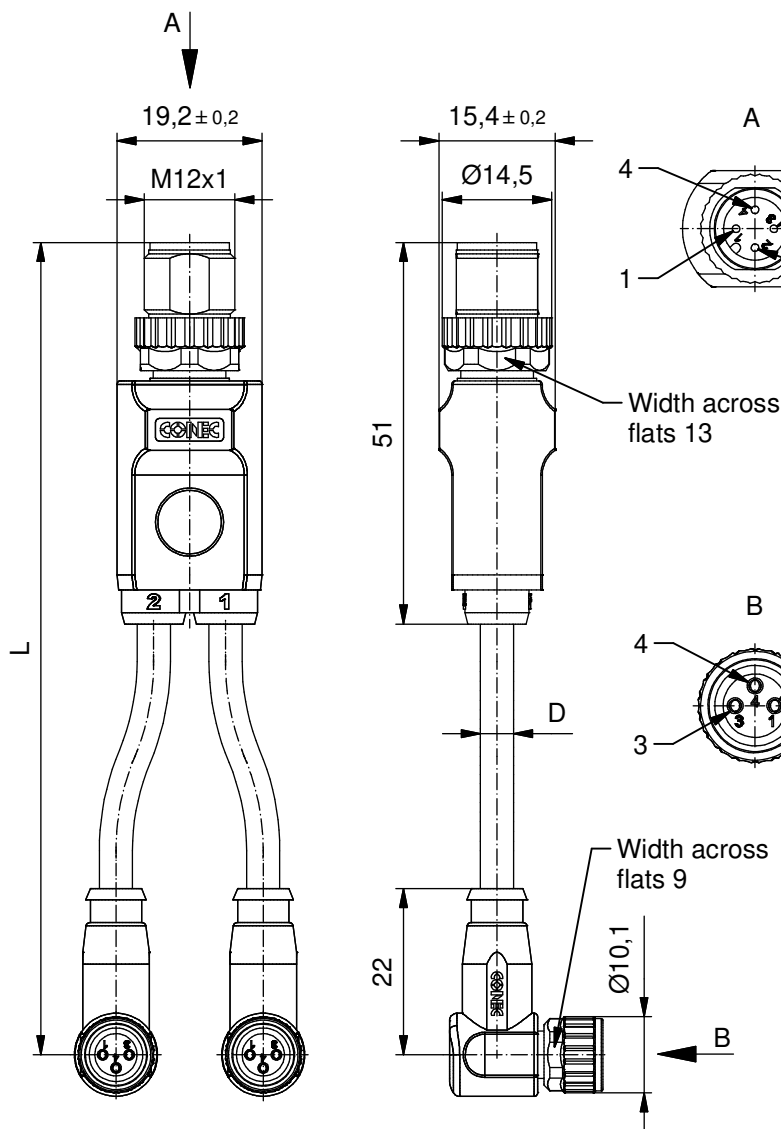
## Contact us

Tel: +86-755-8981 8866 Fax: +86-755-8427 6832

Email & Skype: info@chipsmall.com Web: www.chipsmall.com

Address: A1208, Overseas Decoration Building, #122 Zhenhua RD., Futian, Shenzhen, China





**Technical specification :**

Rated voltage: IEC 61076-2-104	4/3pos 60 V
Current rating: IEC 61076-2-104	3 A at 40°C
Insulation resistance: IEC 60512	>=100 MΩ
Pollution degree: IEC 60664-1	3/2
Degree of protection: IEC 60529	IP 67, in mated condition
Temperature range: IEC 60664-1	-30°C ... +80°C
Mating cycles: IEC 60512-9a	>=100

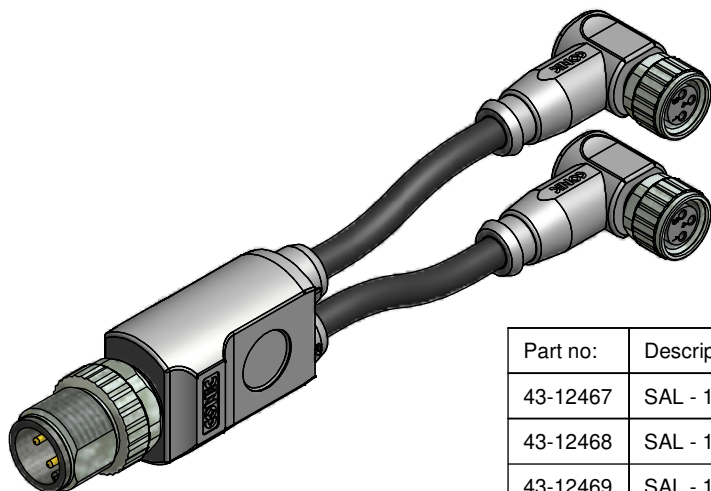
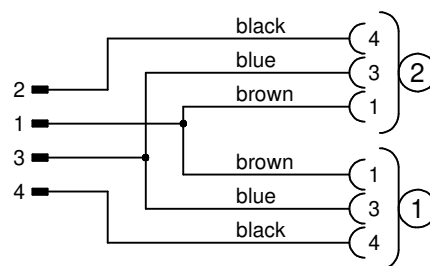
**Materials:**

Contact:	CuZn
Contact plating:	Nickel, gold plated
Contact carrier:	TPU GF, UL 94
Sealing:	FPM
Coupling nut/ screw:	GD-Zn, nickel plated
Moulding body:	TPU, UL 94, grey

**Installation specification:**

Recommended torque:	0,6 Nm at width across flats 13 0,4 Nm at width across flats 9
Conec installation tool:	Torque wrench: 36-000200 Insert across flats 13: 36-000220 Insert across flats 9: 36-000210

**Contact assignment 4/3pos:**



Part no:	Description:	Length L:	Cable:
43-12467	SAL - 12 - DS4 - 8 - 2RKW3 - 0,3 / 0,3 / K1	0,3m	TPE, UL 20549, black, 3x0,25mm <sup>2</sup> Cable: 781-K12300
43-12468	SAL - 12 - DS4 - 8 - 2RKW3 - 0,6 / 0,6 / K1	0,6m	
43-12469	SAL - 12 - DS4 - 8 - 2RKW3 - 1,5 / 1,5 / K1	1,5m	
43-12470	SAL - 12 - DS4 - 8 - 2RKW3 - 3 / 3 / K1	3,0m	
43-xxxxx	SAL - 12 - DS4 - 8 - 2RKW3 - ... / ... / K1	x	

D see data sheet cable

DO NOT ALTER CAD DRAWING BY HAND Directive 2002/95/EC RoHS compliant	Index: c 17.08.11 VF Ä3767 Coupling nut/ screw modified, spanner flats added, data sheet modified	dim. in mm	title: <b>Duo-distributor, male connector M12x1 axial - 2x female connector M8x1 angled</b>	
				date name drawn 22.10.08 Mankopf appd. 22.10.08 Fromm
	tolerance of cable: L ≤ 4m: L + 40mm L > 4m: L + 1%			dwg no: <b>43K1A789</b>
	general tolerance: 0 ± 0,50mm 0,0 ± 0,25mm 0,00 ± 0,10mm			part no: see table
	<small>THIS DRAWING MAY NOT BE COPIED OR REPRODUCED IN ANY WAY, AND MAY NOT BE PASSED ON TO A THIRD PARTY WITHOUT WRITTEN PERMISSION. OWNERSHIP AND COPYRIGHT OF CONEC GmbH</small>			