



Chipsmall Limited consists of a professional team with an average of over 10 year of expertise in the distribution of electronic components. Based in Hongkong, we have already established firm and mutual-benefit business relationships with customers from,Europe,America and south Asia,supplying obsolete and hard-to-find components to meet their specific needs.

With the principle of “Quality Parts,Customers Priority,Honest Operation,and Considerate Service”,our business mainly focus on the distribution of electronic components. Line cards we deal with include Microchip,ALPS,ROHM,Xilinx,Pulse,ON,Everlight and Freescale. Main products comprise IC,Modules,Potentiometer,IC Socket,Relay,Connector.Our parts cover such applications as commercial,industrial, and automotives areas.

We are looking forward to setting up business relationship with you and hope to provide you with the best service and solution. Let us make a better world for our industry!



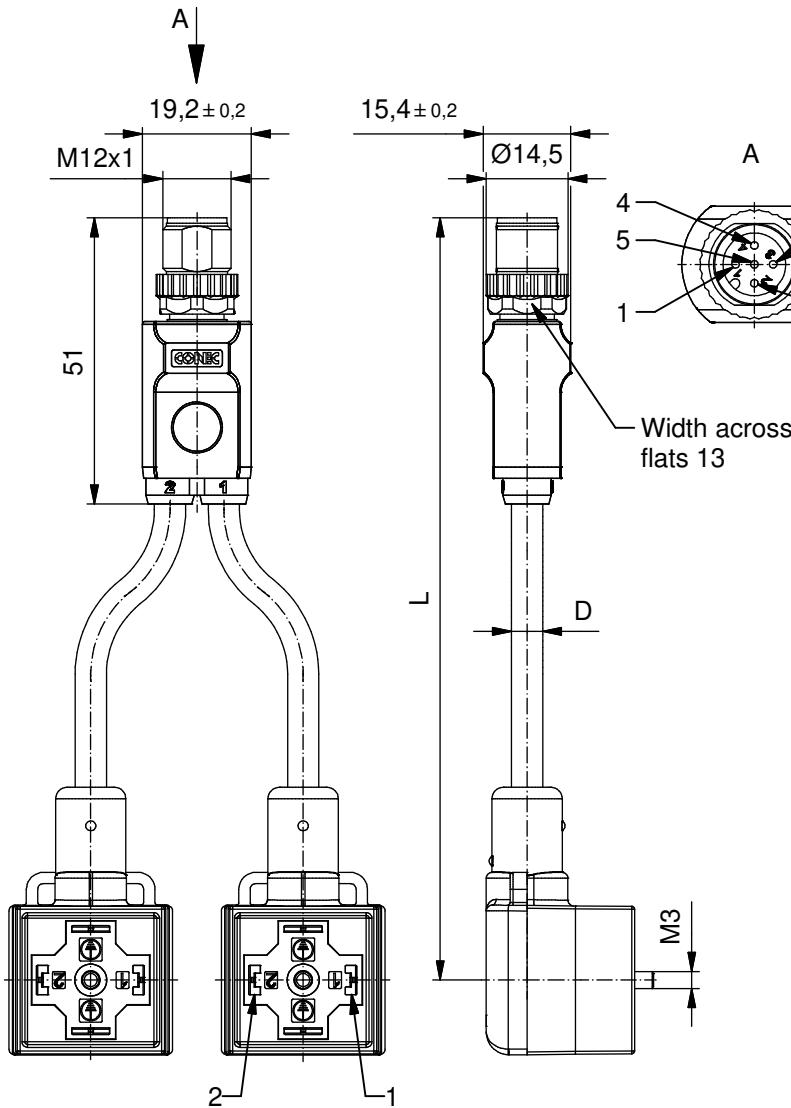
Contact us

Tel: +86-755-8981 8866 Fax: +86-755-8427 6832

Email & Skype: info@chipsmall.com Web: www.chipsmall.com

Address: A1208, Overseas Decoration Building, #122 Zhenhua RD., Futian, Shenzhen, China





Technical specification :

Rated voltage:	60 V
Current rating:	4 A at 40°C
IEC 60512-5-2 5b	
Insulation resistance:	≥100 MΩ
IEC 60512	
Pollution degree:	3/2
IEC 60664-1	
Degree of protection:	IP 67, in mated condition
IEC 60529	
Temperature range:	-25°C ... +80°C
IEC 60664-1	
Mating cycles:	≥100
IEC 60512-9a	

Materials male connector M12x1:

Contact:	CuZn
Contact plating:	Nickel, gold plated
Contact carrier:	TPU GF, UL 94
Coupling screw:	GD-Zn, nickel plated
Moulding body:	TPU, UL 94, grey

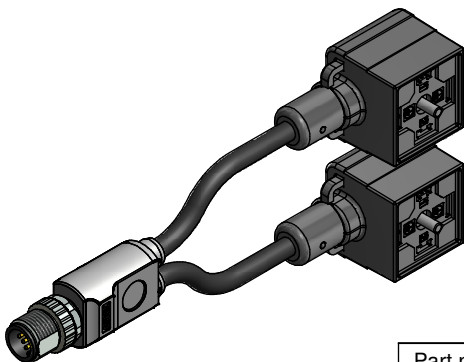
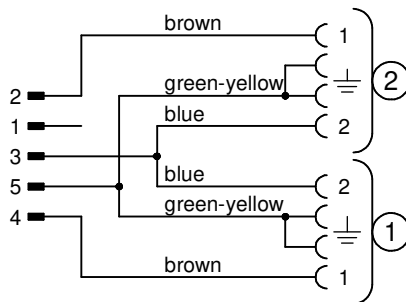
Materials valve plug:

Contact:	CuZn
Contact plating:	Nickel, stannous plated
Contact carrier:	PA GF, UL 94
Moulding body:	TPU, UL 94, transparent

Installation specification:

Recommended torque:	0,6 Nm
Conec installation tool:	Torque wrench: 36-000200 Insert across flats 13: 36-000220

Contact assignment:



Part no:	Description:	Length L:	Cable:
43-12542	SAL - 12 - DS5.55 - A - V2PEG-0-124 - 0,3 / 0,3 / K1 / 075	0,3m	TPE, UL 20549, black, 3x0,75mm ² Cable: 781-K17300
43-12543	SAL - 12 - DS5.55 - A - V2PEG-0-124 - 0,6 / 0,6 / K1 / 075	0,6m	
43-12544	SAL - 12 - DS5.55 - A - V2PEG-0-124 - 1,5 / 1,5 / K1 / 075	1,5m	
43-12545	SAL - 12 - DS5.55 - A - V2PEG-0-124 - 3 / 3 / K1 / 075	3,0m	
43-xxxxx	SAL - 12 - DS5.55 - A - V2PEG-0-124 - ... / ... / K1 / 075	x	

D see data sheet cable

DO NOT ALTER CAD DRAWING BY HAND Directive 2002/95/EC RoHS compliant	Index: b 17.08.11 VF Ä3767 Coupling screw modified, spanner flats added, data sheet modified	dim. in mm	title: Duo-distributor, male connector M12x1 axial - 2x valve plug type A, ground jumpered, protective circuit						
	tolerance of cable: L ≤ 4m: L + 40mm L > 4m: L + 1%			<table border="1"> <tr> <td>date</td> <td>name</td> </tr> <tr> <td>drawn 23.10.08</td> <td>Mankopf</td> </tr> <tr> <td>appd. 23.10.08</td> <td>Fromm</td> </tr> </table>	date	name	drawn 23.10.08	Mankopf	appd. 23.10.08
	date	name							
	drawn 23.10.08	Mankopf							
appd. 23.10.08	Fromm								
general tolerance: 0 ± 0,50mm 0,0 ± 0,25mm 0,00 ± 0,10mm		43K1A792							
THIS DRAWING MAY NOT BE COPIED OR REPRODUCED IN ANY WAY, AND MAY NOT BE PASSED ON TO A THIRD PARTY WITHOUT WRITTEN PERMISSION. OWNERSHIP AND COPYRIGHT OF CONEC GmbH		part no: see table							