



Chipsmall Limited consists of a professional team with an average of over 10 year of expertise in the distribution of electronic components. Based in Hongkong, we have already established firm and mutual-benefit business relationships with customers from,Europe,America and south Asia,supplying obsolete and hard-to-find components to meet their specific needs.

With the principle of “Quality Parts,Customers Priority,Honest Operation,and Considerate Service”,our business mainly focus on the distribution of electronic components. Line cards we deal with include Microchip,ALPS,ROHM,Xilinx,Pulse,ON,Everlight and Freescale. Main products comprise IC,Modules,Potentiometer,IC Socket,Relay,Connector.Our parts cover such applications as commercial,industrial, and automotives areas.

We are looking forward to setting up business relationship with you and hope to provide you with the best service and solution. Let us make a better world for our industry!



Contact us

Tel: +86-755-8981 8866 Fax: +86-755-8427 6832

Email & Skype: info@chipsmall.com Web: www.chipsmall.com

Address: A1208, Overseas Decoration Building, #122 Zhenhua RD., Futian, Shenzhen, China





Technical specification :

Rated voltage: IEC 61076-2-101	60 V
Current rating: IEC 61076-2-101	4 A at 40°C
Insulation resistance: IEC 60512	>=100 MΩ
Pollution degree: IEC 60664-1	3/2
Degree of protection: IEC 60529	IP 67, in mated condition
Temperature range: IEC 60664-1	-30°C ... +80°C
Mating cycles: IEC 60512-9a	>=100

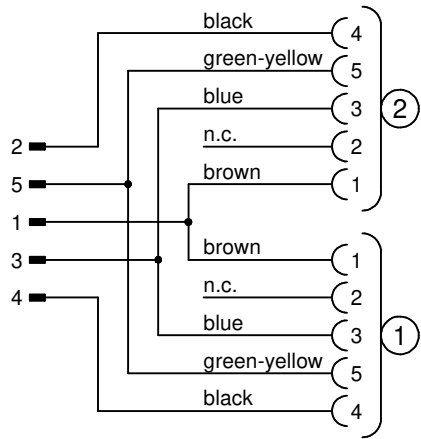
Materials:

Contact:	CuZn
Contact plating:	Nickel, gold plated
Contact carrier:	TPU GF, UL 94
Sealing:	FPM
Coupling nut / screw:	GD-Zn, nickel plated
Moulding body:	TPU, UL 94, grey

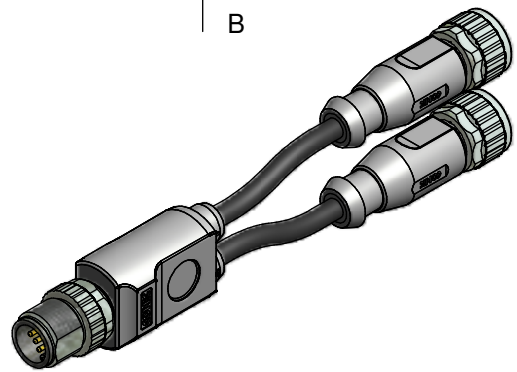
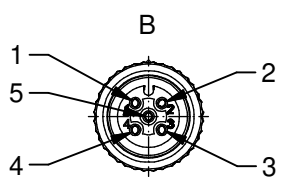
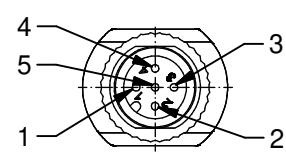
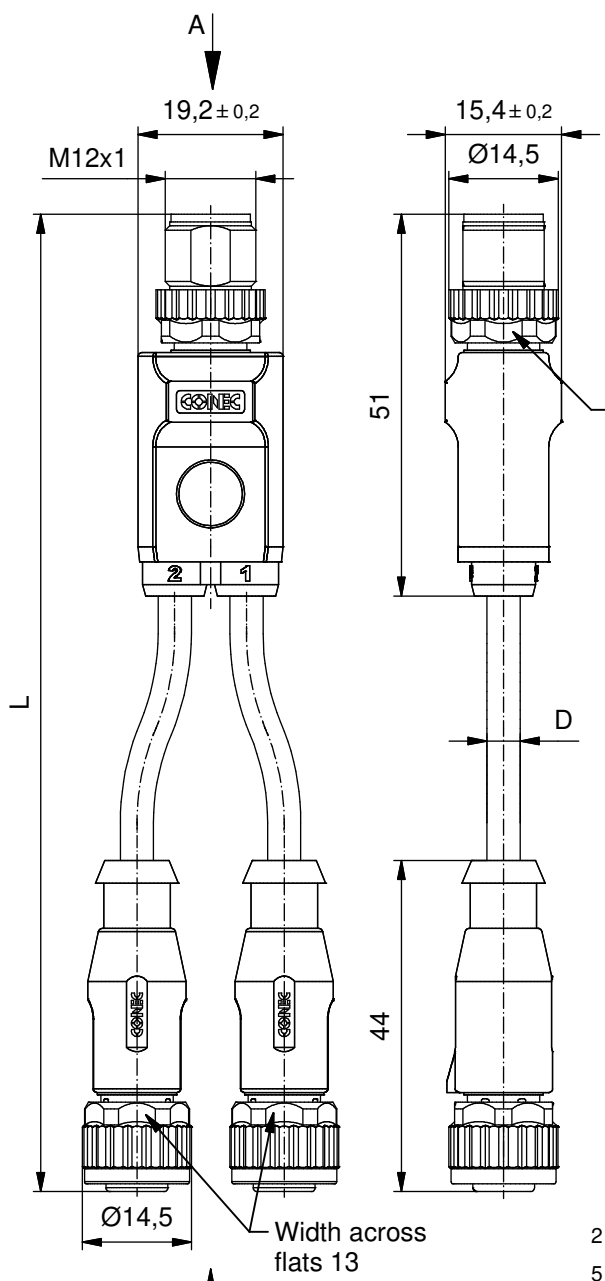
Installation specification:

Recommended torque:	0,6 Nm
Conec installation tool:	Torque wrench: 36-000200 Insert across flats 13: 36-000220

Contact assignment:



Part no:	Description:	Length L:	Cable:
43-12603	SAL - 12 - DS5 - 2RK5.2 - 0,3 / 0,3 / K1	0,3m	TPE, UL 20549, black, 4x0,34mm ² Cable: 781-K13500
43-12604	SAL - 12 - DS5 - 2RK5.2 - 0,6 / 0,6 / K1	0,6m	
43-12605	SAL - 12 - DS5 - 2RK5.2 - 1,5 / 1,5 / K1	1,5m	
43-12606	SAL - 12 - DS5 - 2RK5.2 - 3 / 3 / K1	3,0m	
43-xxxxx	SAL - 12 - DS5 - 2RK5.2 - ... / ... / K1	x	



D see data sheet cable

DO NOT ALTER CAD DRAWING BY HAND Directive 2002/95/EC RoHS compliant	Index: c 17.08.11 VF Ä3767 Coupling nut/ screw modified, spanner flats added, data sheet modified	dim. in mm	title: Duo-distributor, male connector M12x1 axial - 2x female connector M12x1 axial dwg no: 43K1A790 part no: see table		
				date	name
	tolerance of cable: L ≤ 4m: L + 40mm L > 4m: L + 1%	drawn		22.10.08	Mankopf
	general tolerance: 0 ± 0,50mm 0,0 ± 0,25mm 0,00 ± 0,10mm	appd.		22.10.08	Fromm
	THIS DRAWING MAY NOT BE COPIED OR REPRODUCED IN ANY WAY, AND MAY NOT BE PASSED ON TO A THIRD PARTY WITHOUT WRITTEN PERMISSION. OWNERSHIP AND COPYRIGHT OF CONEC GmbH	CONEC ®			

