



Chipsmall Limited consists of a professional team with an average of over 10 year of expertise in the distribution of electronic components. Based in Hongkong, we have already established firm and mutual-benefit business relationships with customers from,Europe,America and south Asia,supplying obsolete and hard-to-find components to meet their specific needs.

With the principle of “Quality Parts,Customers Priority,Honest Operation,and Considerate Service”,our business mainly focus on the distribution of electronic components. Line cards we deal with include Microchip,ALPS,ROHM,Xilinx,Pulse,ON,Everlight and Freescale. Main products comprise IC,Modules,Potentiometer,IC Socket,Relay,Connector.Our parts cover such applications as commercial,industrial, and automotives areas.

We are looking forward to setting up business relationship with you and hope to provide you with the best service and solution. Let us make a better world for our industry!



Contact us

Tel: +86-755-8981 8866 Fax: +86-755-8427 6832

Email & Skype: info@chipsmall.com Web: www.chipsmall.com

Address: A1208, Overseas Decoration Building, #122 Zhenhua RD., Futian, Shenzhen, China





Technical specification :

Rated voltage: 60 V
IEC 61076-2-101

Current rating: 4 A at 40°C
IEC 61076-2-101

Insulation resistance: >=100 MΩ
IEC 60512

Pollution degree: 3/2
IEC 60664-1

Degree of protection: IP 67, in mated condition
IEC 60529

Temperature range: -30°C ... +80°C
IEC 60664-1

Mating cycles: >=100
IEC 60512-9a

Materials:

Contact: CuZn

Contact plating: Nickel, gold plated

Contact carrier: TPU GF, UL 94

Sealing: FPM

Coupling nut / screw: GD-Zn, nickel plated

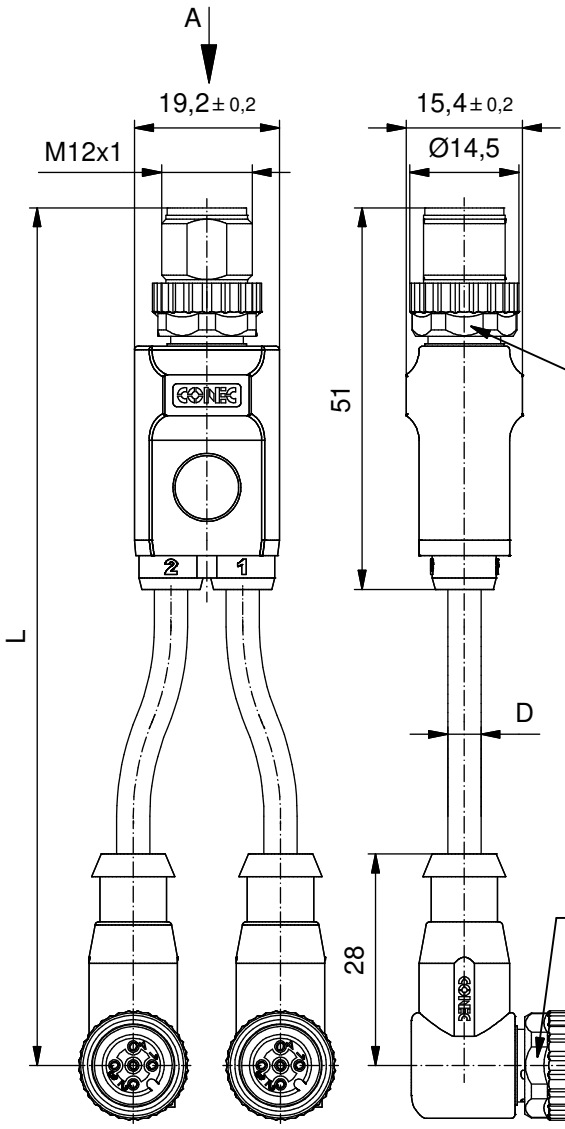
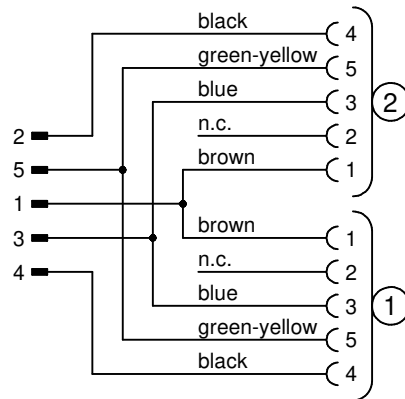
Moulding body: TPU, UL 94, grey

Installation specification:

Recommended torque: 0,6 Nm

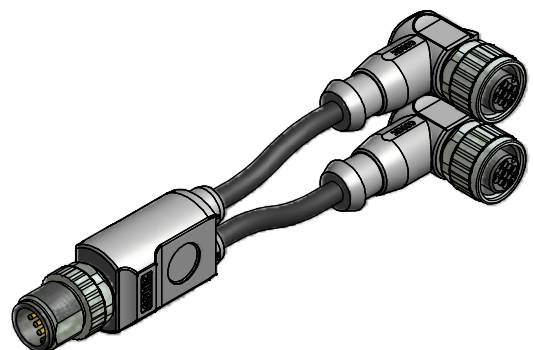
Conec installation tool: Torque wrench: 36-000200
Insert across flats 13: 36-000220

Contact assignment:



Width across flats 13

Width across flats 13



D see data sheet cable

Part no:	Description:	Length L:	Cable:
43-12607	SAL - 12 - DS5 - 2RKW5.2 - 0,3 / 0,3 / K1	0,3m	TPE, UL 20549, black, 4x0,34mm ² Cable: 781-K13500
43-12608	SAL - 12 - DS5 - 2RKW5.2 - 0,6 / 0,6 / K1	0,6m	
43-12609	SAL - 12 - DS5 - 2RKW5.2 - 1,5 / 1,5 / K1	1,5m	
43-12610	SAL - 12 - DS5 - 2RKW5.2 - 3 / 3 / K1	3,0m	
43-xxxxx	SAL - 12 - DS5 - 2RKW5.2 - ... / ... / K1	x	

DO NOT ALTER CAD DRAWING BY HAND Directive 2002/95/EC RoHS compliant	Index: c 17.08.11 VF Ä3767 Coupling nut/ screw modified, spanner flats added, data sheet modified	dim. in mm	title: Duo-distributor, male connector M12x1 axial - 2x female connector M12x1 angled
	tolerance of cable: L ≤ 4m: L + 40mm L > 4m: L + 1%	date name drawn 22.10.08 Mankopf	
	general tolerance: 0 ± 0,50mm 0,0 ± 0,25mm 0,00 ± 0,10mm	appd. 22.10.08 Fromm	dwg no: 43K1A791
	THIS DRAWING MAY NOT BE COPIED OR REPRODUCED IN ANY WAY, AND MAY NOT BE PASSED ON TO A THIRD PARTY WITHOUT WRITTEN PERMISSION. OWNERSHIP AND COPYRIGHT OF CONEC GmbH		

