



Chipsmall Limited consists of a professional team with an average of over 10 year of expertise in the distribution of electronic components. Based in Hongkong, we have already established firm and mutual-benefit business relationships with customers from,Europe,America and south Asia,supplying obsolete and hard-to-find components to meet their specific needs.

With the principle of “Quality Parts,Customers Priority,Honest Operation,and Considerate Service”,our business mainly focus on the distribution of electronic components. Line cards we deal with include Microchip,ALPS,ROHM,Xilinx,Pulse,ON,Everlight and Freescale. Main products comprise IC,Modules,Potentiometer,IC Socket,Relay,Connector.Our parts cover such applications as commercial,industrial, and automotives areas.

We are looking forward to setting up business relationship with you and hope to provide you with the best service and solution. Let us make a better world for our industry!



Contact us

Tel: +86-755-8981 8866 Fax: +86-755-8427 6832

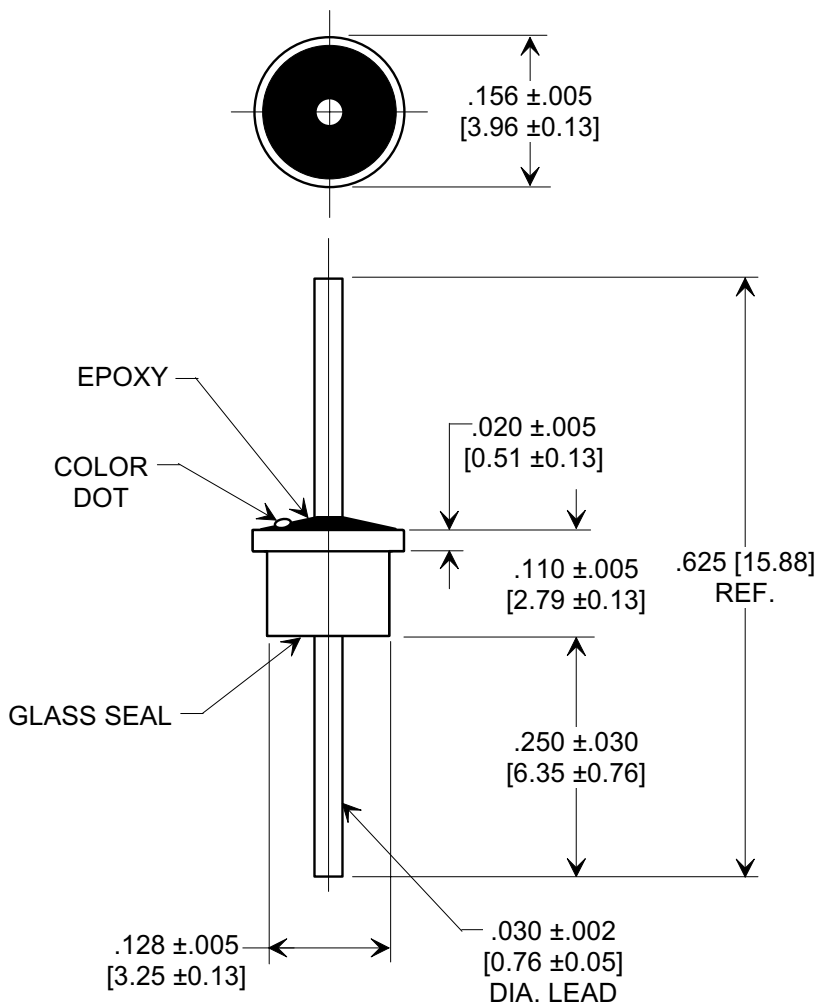
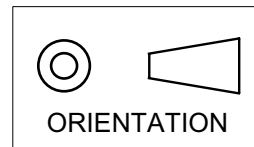
Email & Skype: info@chipsmall.com Web: www.chipsmall.com

Address: A1208, Overseas Decoration Building, #122 Zhenhua RD., Futian, Shenzhen, China



MARKETING SALES DRAWING
 DIMENSIONS IN INCHES - DO NOT SCALE THIS DRAWING
 DIMENSIONS IN METRIC - []

Electrical Testing
 per Tusonix standard
 test plans and Mil-Std-202
 Test Methods.



NOTES:

- Operating temperature range: -55°C to $+125^{\circ}\text{C}$.
- Gold plated case and lead.
- Epoxy sealed on opposite end from glass seal.
- Max. recommended soldering temperature: 260°C .
See installation recommendations.
- Recommended mounting hole: $.135$ dia.
- Solder preform available for mounting.
- Tusonix Standard part number: 4300-005.
Tusonix RoHS compliant part number: 4300-005 LF.
Customer must specify Standard or RoHS part number when ordering.
- RoHS compliant part marked with additional dark green dot for identification.

Cx (pF)	TOL.	DC WORKING VOLTAGE		I.R. MIN. @ 100 (VDC.)	DWV (VDC)	DC CURRENT (AMPS)	MIN. NO LOAD INSERTION LOSS (dB) @ 25° C PER MIL-STD-220					COLOR CODE
		85°C	125°C				1 MHz	10 MHz	100 MHz	1 GHz	10 GHz	
10,000	GMV	70	50	10 G	150	5	4	20	35	50	60	BLACK

X-2015 Rev-0

REVISION RECORD	Original Release	0										
	REDRAWN & REVISED ADDED	10										
	008, 009 & 010. E.C. 05-30-90	11										
	5261	12										
REVISION RECORD	REVISION	11										
008, 009 & 010. E.C. 05-30-90	REVISION	12										
5261	REVISION	13										
REVISION RECORD	REVISION	14										
008, 009 & 010. E.C. 05-30-90	REVISION	15										
5261	REVISION	16										
REVISION RECORD	REVISION	17										
008, 009 & 010. E.C. 05-30-90	REVISION	18										
5261	REVISION	19										
REVISION RECORD	REVISION	20										
008, 009 & 010. E.C. 05-30-90	REVISION	21										
5261	REVISION	22										
REVISION RECORD	REVISION	23										
008, 009 & 010. E.C. 05-30-90	REVISION	24										
5261	REVISION	25										
REVISION RECORD	REVISION	26										
008, 009 & 010. E.C. 05-30-90	REVISION	27										
5261	REVISION	28										
REVISION RECORD	REVISION	29										
008, 009 & 010. E.C. 05-30-90	REVISION	30										
5261	REVISION	31										
REVISION RECORD	REVISION	32										
008, 009 & 010. E.C. 05-30-90	REVISION	33										
5261	REVISION	34										
REVISION RECORD	REVISION	35										
008, 009 & 010. E.C. 05-30-90	REVISION	36										
5261	REVISION	37										
REVISION RECORD	REVISION	38										
008, 009 & 010. E.C. 05-30-90	REVISION	39										
5261	REVISION	40										
REVISION RECORD	REVISION	41										
008, 009 & 010. E.C. 05-30-90	REVISION	42										
5261	REVISION	43										
REVISION RECORD	REVISION	44										
008, 009 & 010. E.C. 05-30-90	REVISION	45										
5261	REVISION	46										
REVISION RECORD	REVISION	47										
008, 009 & 010. E.C. 05-30-90	REVISION	48										
5261	REVISION	49										
REVISION RECORD	REVISION	50										
008, 009 & 010. E.C. 05-30-90	REVISION	51										
5261	REVISION	52										
REVISION RECORD	REVISION	53										
008, 009 & 010. E.C. 05-30-90	REVISION	54										
5261	REVISION	55										
REVISION RECORD	REVISION	56										
008, 009 & 010. E.C. 05-30-90	REVISION	57										
5261	REVISION	58										
REVISION RECORD	REVISION	59										
008, 009 & 010. E.C. 05-30-90	REVISION	60										
5261	REVISION	61										
REVISION RECORD	REVISION	62										
008, 009 & 010. E.C. 05-30-90	REVISION	63										
5261	REVISION	64										
REVISION RECORD	REVISION	65										
008, 009 & 010. E.C. 05-30-90	REVISION	66										
5261	REVISION	67										
REVISION RECORD	REVISION	68										
008, 009 & 010. E.C. 05-30-90	REVISION	69										
5261	REVISION	70										
REVISION RECORD	REVISION	71										
008, 009 & 010. E.C. 05-30-90	REVISION	72										
5261	REVISION	73										
REVISION RECORD	REVISION	74										
008, 009 & 010. E.C. 05-30-90	REVISION	75										
5261	REVISION	76										
REVISION RECORD	REVISION	77										
008, 009 & 010. E.C. 05-30-90	REVISION	78										
5261	REVISION	79										
REVISION RECORD	REVISION	80										
008, 009 & 010. E.C. 05-30-90	REVISION	81										
5261	REVISION	82										
REVISION RECORD	REVISION	83										
008, 009 & 010. E.C. 05-30-90	REVISION	84										
5261	REVISION	85										
REVISION RECORD	REVISION	86										
008, 009 & 010. E.C. 05-30-90	REVISION	87										
5261	REVISION	88										
REVISION RECORD	REVISION	89										
008, 009 & 010. E.C. 05-30-90	REVISION	90										
5261	REVISION	91										
REVISION RECORD	REVISION	92										
008, 009 & 010. E.C. 05-30-90	REVISION	93										
5261	REVISION	94										
REVISION RECORD	REVISION	95										
008, 009 & 010. E.C. 05-30-90	REVISION	96										
5261	REVISION	97										
REVISION RECORD	REVISION	98										
008, 009 & 010. E.C. 05-30-90	REVISION	99										
5261	REVISION	100										

--TOLERANCES-- Unless Otherwise Specified		Title SOLDER MOUNT EMI FILTER	
DECIMAL ± NOTED		Drawn S.M. 10-02-02 Scale 5 X	
ANGLES ±		Approved T.C. 10-02-02	
 TUCSON, ARIZONA		A	4300-005