



Chipsmall Limited consists of a professional team with an average of over 10 year of expertise in the distribution of electronic components. Based in Hongkong, we have already established firm and mutual-benefit business relationships with customers from,Europe,America and south Asia,supplying obsolete and hard-to-find components to meet their specific needs.

With the principle of "Quality Parts,Customers Priority,Honest Operation,and Considerate Service",our business mainly focus on the distribution of electronic components. Line cards we deal with include Microchip,ALPS,ROHM,Xilinx,Pulse,ON,Everlight and Freescale. Main products comprise IC,Modules,Potentiometer,IC Socket,Relay,Connector.Our parts cover such applications as commercial,industrial, and automotives areas.

We are looking forward to setting up business relationship with you and hope to provide you with the best service and solution. Let us make a better world for our industry!



Contact us

Tel: +86-755-8981 8866 Fax: +86-755-8427 6832

Email & Skype: info@chipsmall.com Web: www.chipsmall.com

Address: A1208, Overseas Decoration Building, #122 Zhenhua RD., Futian, Shenzhen, China



IEC Appliance Inlet C8, Snap-in Mounting, Front Side, PCB terminals



Snap-in version



Description

- Panel Mount :
Snap-in version , from front side
- 1 Function
- Appliance Inlet , Pin temperature 70 °C , Protection class II
- PCB

Approvals

- UL File Number: E96454
- CSA File Number: 73165
- CCC File Number: 2011010204483971

Characteristics

- Contact pins rolled

Weblinks

[pdf datasheet](#), [html-datasheet](#), [General Product Information](#), [RoHS](#), [CHINA-RoHS](#), [REACH](#), [Distributor-Stock-Check](#), [Accessories](#), [Detailed request for product](#)

Technical Data

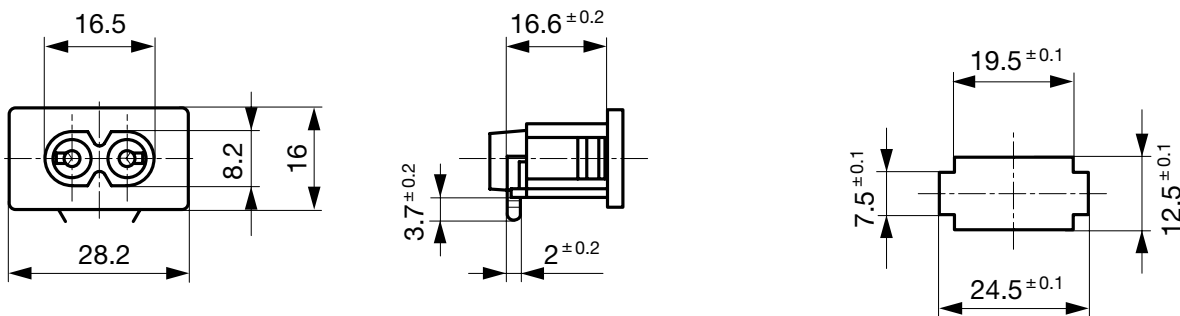
| | |
|---------------------------------|--------------------------------------------------------------------|
| Ratings IEC | 2.5 A / 250 VAC; 50 Hz |
| Ratings UL/CSA | 2.5 A / 250 VAC; 60 Hz |
| Dielectric Strength | > 2 kVAC between L-N (1 min/50 Hz) |
| Allowable Operation Temperature | -25 °C to 70 °C |
| IP-Protection | from front side IP 40 acc. to IEC 60529 |
| Insulation cover | Suitable for appliances with protection class II acc. to IEC 61140 |
| Terminal | PCB terminals |
| Panel Thickness s | Snap-in from 0.8 - 1.2 mm |
| Material: Housing | Thermoplastic, black, UL 94V-0 |

| | |
|-------------------------|--------------------------------------------------------------------------------------------------------------------------------|
| appliance inlet/-outlet | C8 acc. to IEC 60320-1, UL 498, CSA C22.2 no. 42 (for cold conditions) pin-temperature 70 °C, 2.5 A, Protection Class II |
|-------------------------|--------------------------------------------------------------------------------------------------------------------------------|

Detailed information on product approvals, code requirements, usage instructions and detailed test conditions can be looked up in [General Product Information](#)

Dimensions

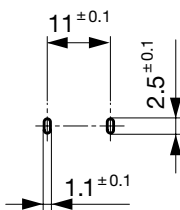
0721-PP



Solder terminals for PCB

Drilling diagrams

PCB Layout



All Variants

| Type | Panel mounting | Panel Thickness s [mm] | Terminal | Order Number |
|---------|----------------|------------------------|---------------|--------------|
| 0721-PP | Snap-in | 0.8 - 1.2 | PCB terminals | 4300.0099 |

Most Popular.

Availability for all products can be searched real-time: <http://www.schurter.com/en/Stock-Check/Stock-Check-SCHURTER>

Packaging unit 100 Pcs

Mating Outlets/Connectors

Category / Description

Power Cord Overview complete



| | |
|---------------------------------------------------------------------------------------------------------------------------------------|-----------|
| Cord Sets 2.5 A, IEC Connector, Black, 2.0 m, H03VH2-F 2x0,75mm ² , Connector IEC C7, 001500 mm, H03VH2-F2G0.75, black | 6013.0474 |
| Cord Sets 2.5 A, IEC Connector, Black, 4.0 m, H03VH2-F 2x0,75mm ² , Connector IEC C7, 001500 mm, H05VH2-F2G0.75, black | 6013.0478 |
| Kabelverbindung/2.5, IEC Connector, Black, 2.0 m, H03VH2-F 2x0,75mm ² , Connector IEC C7, 001500 mm, H03VH2-F2G0.75, black | 6051.0015 |

[Power Cord further types to 0721-PP](#)

Power Supply Cord Overview complete



| | |
|--------------------------------------------------------------------------------------------------------|-----------|
| Cord Sets 2.5 A, North America, Black, 2.0 m, SVT 2x18AWG, Connector IEC C7, 002500 mm, NISPT-2, black | 6010.5274 |
| Cord Sets 2.5 A, North America, Black, 4.0 m, SVT 2x18AWG, Connector IEC C7, 002500 mm, NISPT-2, black | 6010.5278 |
| Kabelverbindung/2.5, North America, Black, 2.5 SVT 2x18AWG, IEC C7, 002500 mm, SVT 2x18 AWG, black | 6051.0018 |

[Power Supply Cord further types to 0721-PP](#)