



Chipsmall Limited consists of a professional team with an average of over 10 year of expertise in the distribution of electronic components. Based in Hongkong, we have already established firm and mutual-benefit business relationships with customers from,Europe,America and south Asia,supplying obsolete and hard-to-find components to meet their specific needs.

With the principle of "Quality Parts,Customers Priority,Honest Operation,and Considerate Service",our business mainly focus on the distribution of electronic components. Line cards we deal with include Microchip,ALPS,ROHM,Xilinx,Pulse,ON,Everlight and Freescale. Main products comprise IC,Modules,Potentiometer,IC Socket,Relay,Connector.Our parts cover such applications as commercial,industrial, and automotives areas.

We are looking forward to setting up business relationship with you and hope to provide you with the best service and solution. Let us make a better world for our industry!



Contact us

Tel: +86-755-8981 8866 Fax: +86-755-8427 6832

Email & Skype: info@chipsmall.com Web: www.chipsmall.com

Address: A1208, Overseas Decoration Building, #122 Zhenhua RD., Futian, Shenzhen, China



NEMA line Outlet 5-15R, Snap-in Mounting, Front Side, V-Slot Terminal



Description

- Panel Mount :
Snap-in , Front Side
- 1 Function :
Line Outlet , Protection class I
- V-Slot- Connector

Approvals

- UL File Number: E103791
- CSA File Number: 73165

Characteristics

- Designed for standard applications

Weblinks

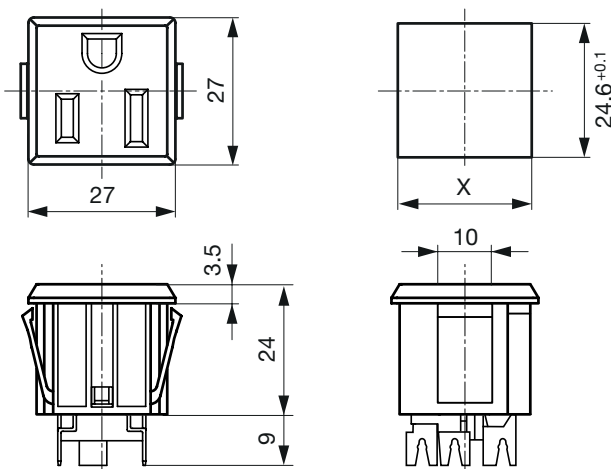
[pdf datasheet](#), [html-datasheet](#), [General Product Information](#), [RoHS](#), [CHINA-RoHS](#), [REACH](#), [Distributor-Stock-Check](#), [Accessories](#), [Detailed request for product](#)

Technical Data

| | |
|---------------------------------|---|
| Ratings UL/CSA | 15 A / 125VAC; 60Hz |
| Allowable Operation Temperature | -25 °C to +60 °C |
| IP-Protection | from front side IP 20 acc. to IEC 60529 |
| Insulation cover | Suitable for appliances with protection class I acc. to IEC 61140 |
| Terminal | V-Slot- Connector |
| Panel Thickness s | Snap-in 0.8mm to 1.6mm |
| Material: Housing | Thermoplastic, black |

Detailed information on product approvals, code requirements, usage instructions and detailed test conditions can be looked up in [General Product Information](#)

Dimensions



Panel thickness X
0.8 - 1.2 mm: 24.6 mm
1.3 - 1.6 mm: 24.8 mm

Assembly Instructions



Installation Diagram: V-slotted terminals for connecting multiple receptacles (only for solid bare wires from type 14 AWG)

All Variants

| Type | Protection Class | Panel mounting | Panel Thickness s [mm] | Terminal | Order Number |
|--------|------------------|----------------|------------------------|-------------------|--------------|
| 0709-1 | I | Snap-in | 0.8 -1.6 | V-Slot- Connector | 4300.0702 |

Availability for all products can be searched real-time: <http://www.schurter.com/en/Stock-Check/Stock-Check-SCHURTER>

Packaging unit 120 Pcs

Mating Inlets/Plugs

Category / Description

[Power Supply Cord Overview complete](#)



| | |
|--|-----------|
| Cord Sets 16 A, Europlug, 2.5 m, Connector IEC C19, H05VV-F3G1.5, black | 6004.0395 |
| Cord Sets 16 A, Interconnection, 1.0 m, Connector IEC C19, H05VV-F3G1.5, black | 6020.0392 |
| Cord Sets 16 A, Interconnection, 2.0 m, Connector IEC C19, H05VV-F3G1.5, black | 6020.0394 |
| Cord Sets 16 A, North America, 2.5 m, Connector IEC C19, SJT 3x14 AWG, black | 6009.5195 |
| Cord Sets 10 A, North America, 2.5 m, Connector IEC C13, SJT 3x18 AWG, black | 6009.1315 |
| Power Supply Cord further types to 0709-1 | ... |