



Chipsmall Limited consists of a professional team with an average of over 10 year of expertise in the distribution of electronic components. Based in Hongkong, we have already established firm and mutual-benefit business relationships with customers from,Europe,America and south Asia,supplying obsolete and hard-to-find components to meet their specific needs.

With the principle of "Quality Parts,Customers Priority,Honest Operation,and Considerate Service",our business mainly focus on the distribution of electronic components. Line cards we deal with include Microchip,ALPS,ROHM,Xilinx,Pulse,ON,Everlight and Freescale. Main products comprise IC,Modules,Potentiometer,IC Socket,Relay,Connector.Our parts cover such applications as commercial,industrial, and automotives areas.

We are looking forward to setting up business relationship with you and hope to provide you with the best service and solution. Let us make a better world for our industry!



Contact us

Tel: +86-755-8981 8866 Fax: +86-755-8427 6832

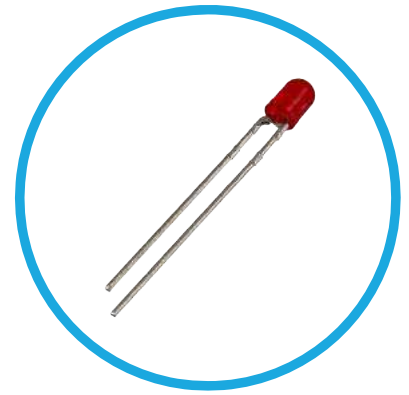
Email & Skype: info@chipsmall.com Web: www.chipsmall.com

Address: A1208, Overseas Decoration Building, #122 Zhenhua RD., Futian, Shenzhen, China





4303F Series Solid State LED T1 (3mm)



Applications

- advertising
- appliances
- automotive
- aviation
- boating and recreation
- display cases
- electrical control panels
- general illumination
- “high-tech” applications
- home and landscape
- signs, signals and displays
- traffic signals

Key Features

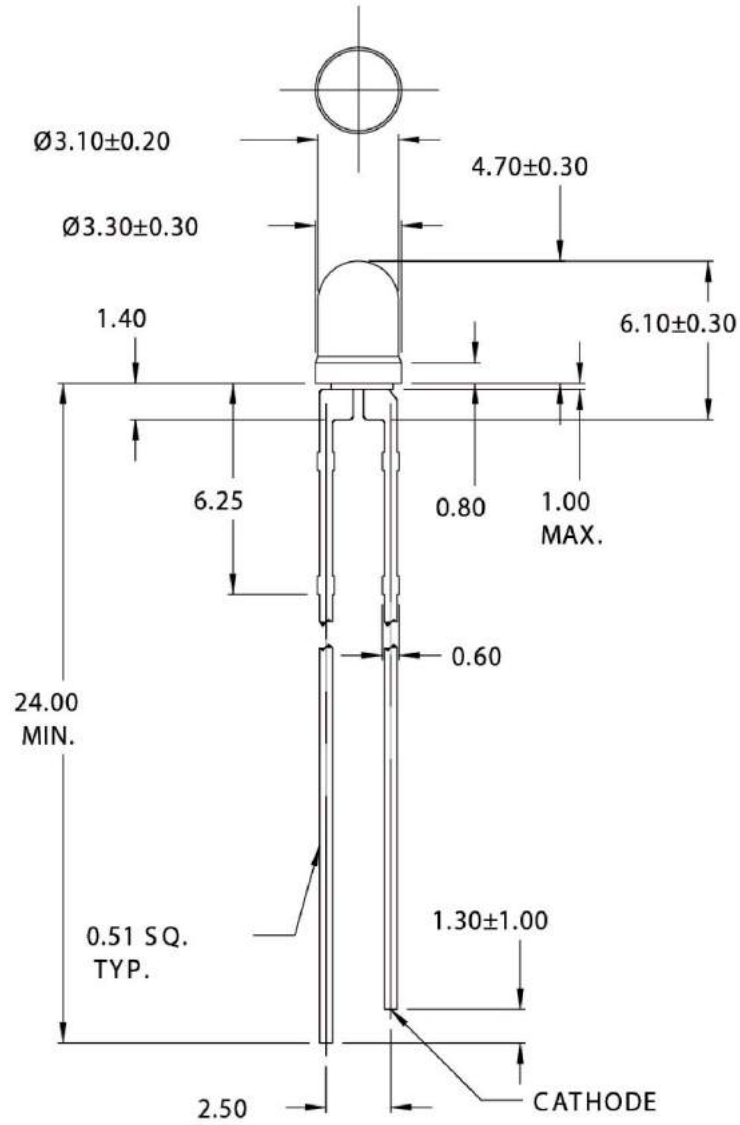
- diffused lens
- high intensity light output
- low power dissipation
- solid state LED lamp

Product Specifications and Ordering Data

Part Number	4303F1	4303F3	4303F5	4303F7
Output Color	Red	Amber	Green	Yellow
Diffusion	Diffused	Diffused	Diffused	Diffused
Package Color	Red	Amber	Green	Yellow
Test Current (mA)	10	10	10	10
Forward Voltage Typ. (V)	2.0	1.9	2.1	2.1
Forward Voltage Max. (V)	3.0	2.4	3.0	3.0
Luminous Intensity Min. (mcd)	5.6	2.1	9.0	3.6
Luminous Intensity Typ. (mcd)	16.0	-	25.0	10.0
Peak Wavelength (nm)	650	600	563	585
Viewing Angle θ 1/2 (degrees)	55	60	55	55
Power Dissipation (mW)	60	-	75	60
Peak Forward Current Max @1ms - 20% Duty Cycle (mA)	60	90	60	60
Reverse Voltage @ $I_R=100\mu A$	3	5	3	3
Operating Temperature (°C)	-25 to +85	-40 to +100	-25 to +85	-25 to +85
Storage Temperature (°C)	-30 to +100	-40 to +100	-30 to +100	-30 to +100

Product Dimensions

All dimensions are in mm



Compliances and Approvals

