



Chipsmall Limited consists of a professional team with an average of over 10 year of expertise in the distribution of electronic components. Based in Hongkong, we have already established firm and mutual-benefit business relationships with customers from,Europe,America and south Asia,supplying obsolete and hard-to-find components to meet their specific needs.

With the principle of “Quality Parts,Customers Priority,Honest Operation,and Considerate Service”,our business mainly focus on the distribution of electronic components. Line cards we deal with include Microchip,ALPS,ROHM,Xilinx,Pulse,ON,Everlight and Freescale. Main products comprise IC,Modules,Potentiometer,IC Socket,Relay,Connector.Our parts cover such applications as commercial,industrial, and automotives areas.

We are looking forward to setting up business relationship with you and hope to provide you with the best service and solution. Let us make a better world for our industry!



Contact us

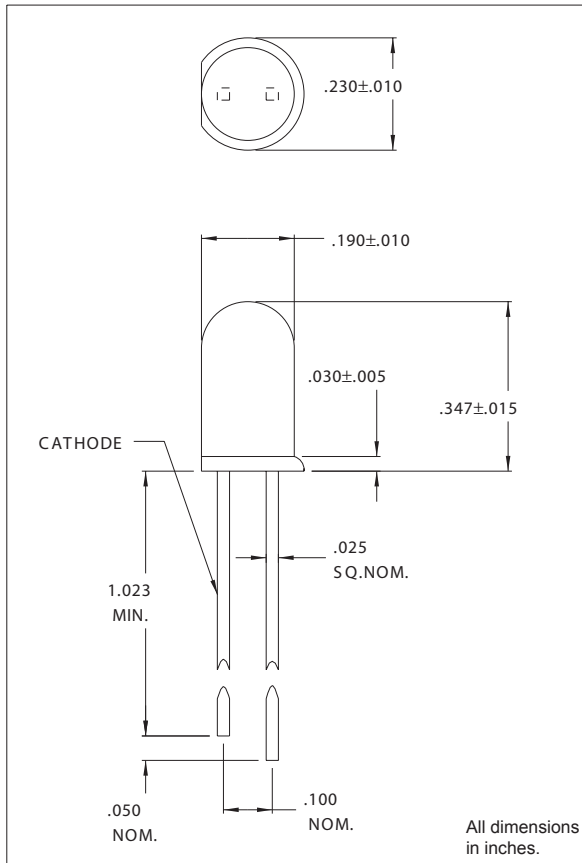
Tel: +86-755-8981 8866 Fax: +86-755-8427 6832

Email & Skype: info@chipsmall.com Web: www.chipsmall.com

Address: A1208, Overseas Decoration Building, #122 Zhenhua RD., Futian, Shenzhen, China



4308H Series Solid State LED Lamps-Ultra Brite T-1 3/4 (5mm) Description and Features



- High intensity light output.
- Clear non-diffused lens.
- Ideal for high ambient light conditions.
- RoHS Compliant

Electro-Optical Characteristics and Ratings

PART NUMBER	4308H5	4308H7
Output Color	Green	Yellow
Diffusion	Non-Diffused	Non-Diffused
Package Color	Clear	Clear
Test Current (mA)	20	20
Forward Voltage Typ. (V)	2.3	2.2
Forward Voltage Max. (V)	3.0	3.0
Luminous Intensity Min. (mcd)	110	95
Luminous Intensity Typ. (mcd)	140	140
Capacitance @ V=0	18	18
Peak Wavelength (nm)	565	583
Viewing Angle 2θ 1/2 (degrees)	24	24
Power Dissipation (mW)	135	85
Continuous Forward Current Max. (mA)	25	20