



Chipsmall Limited consists of a professional team with an average of over 10 year of expertise in the distribution of electronic components. Based in Hongkong, we have already established firm and mutual-benefit business relationships with customers from,Europe,America and south Asia,supplying obsolete and hard-to-find components to meet their specific needs.

With the principle of “Quality Parts,Customers Priority,Honest Operation,and Considerate Service”,our business mainly focus on the distribution of electronic components. Line cards we deal with include Microchip,ALPS,ROHM,Xilinx,Pulse,ON,Everlight and Freescale. Main products comprise IC,Modules,Potentiometer,IC Socket,Relay,Connector.Our parts cover such applications as commercial,industrial, and automotives areas.

We are looking forward to setting up business relationship with you and hope to provide you with the best service and solution. Let us make a better world for our industry!



Contact us

Tel: +86-755-8981 8866 Fax: +86-755-8427 6832

Email & Skype: info@chipsmall.com Web: www.chipsmall.com

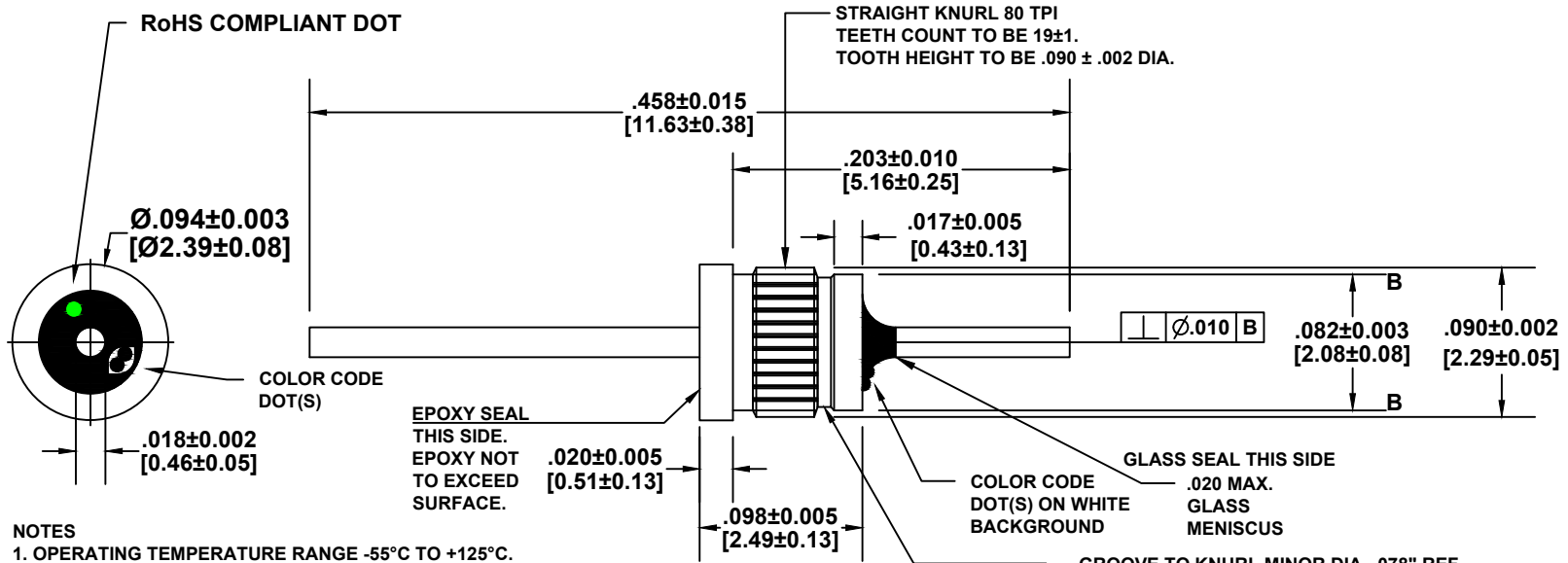
Address: A1208, Overseas Decoration Building, #122 Zhenhua RD., Futian, Shenzhen, China



DATA SHEET DRAWING

This drawing is the property of Tusonix, Inc., and may not be used, reproduced, published or disclosed to others without expressed authorization by Tusonix Inc.

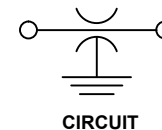
Electrical testing per Tusonix standard test plans and MIL-Std-202 test methods.



NOTES

1. OPERATING TEMPERATURE RANGE -55°C TO +125°C.
2. GOLD PLATED CASE AND LEAD.
3. EPOXY SEALED ON THE OPPOSITE END FROM THE GLASS SEAL.
4. PROPER INSTALLATION REQUIRES FIRM STEADY PRESSURE UNTIL FLANGE IS FULLY SEATED.
5. RECOMMENDED MOUNTING HOLE: .085±.001 [2.18±0.01]
6. END OF LEAD INDICATED TO BE FREE OF BURRS.
7. TUSONIX NON-RoHS COMPLIANT PART NUMBER: 4310-013.
TUSONIX RoHS COMPLIANT PART NUMBER: 4310-013LF.
CUSTOMER MUST SPECIFY NON-RoHS OR RoHS PART NUMBER WHEN ORDERING.
8. COLOR CODE: BLACK/BLACK ON WHITE BACKGROUND. RoHS COMPLIANT PART MARKED WITH ADDITIONAL GREEN DOT FOR IDENTIFICATION.

GROOVE TO KNURL MINOR DIA. .078" REF. UNSPECIFIED ANGLE ON GROOVE SIDES AND KNURL ENDS.



Cx (pF)	DC WORKING VOLTAGE		I _{DC}	I.R. MIN @ 100 VDC	DWV
1 TYP. 3 MAX.	85°C 150	125°C 100	1A	10 G Ω	250 VDC
TYPICAL NO LOAD INSERTION LOSS (dB) @ 25°C PER MIL-STD-220					
10 MHz	100 MHz	1 GHz	10 GHz		
-----	-----	-----	-----		

DIMENSIONS:
ENGLISH UNITS - INCHES
METRIC UNITS - [mm]

ORIENTATION

TUSONIX
A Subsidiary of **CTS** Electronic Components
TUCSON, ARIZONA

--TOLERANCES--
Unless Otherwise Specified

Title **MINIATURE PRESS-IN EMI FILTER**

Dwn R.C. 12-01-15 Ckd R.C. 12-01-15

Material **SEE NOTES** Scale: NOT TO SCALE

Sheet 1 of 1

REVISION RECORD											
REV	DATE	CHG BY	CHANGE	REV	DATE	CHG BY	CHANGE	REV	DATE	CHG BY	CHANGE
A	12-01-15	R.C.	ORIGINAL RELEASE								
B	09-20-18	R.C.	MODIFY DOT LOCATION, NOTE 5 HOLE DIM., ADDED EPOXY FILL NOTE.								

2 Place Decimal ± .01

3 Place Decimal ± .005

Angles ± 5°

A 4310-013