



Chipsmall Limited consists of a professional team with an average of over 10 year of expertise in the distribution of electronic components. Based in Hongkong, we have already established firm and mutual-benefit business relationships with customers from,Europe,America and south Asia,supplying obsolete and hard-to-find components to meet their specific needs.

With the principle of “Quality Parts,Customers Priority,Honest Operation,and Considerate Service”,our business mainly focus on the distribution of electronic components. Line cards we deal with include Microchip,ALPS,ROHM,Xilinx,Pulse,ON,Everlight and Freescale. Main products comprise IC,Modules,Potentiometer,IC Socket,Relay,Connector.Our parts cover such applications as commercial,industrial, and automotives areas.

We are looking forward to setting up business relationship with you and hope to provide you with the best service and solution. Let us make a better world for our industry!



Contact us

Tel: +86-755-8981 8866 Fax: +86-755-8427 6832

Email & Skype: info@chipsmall.com Web: www.chipsmall.com

Address: A1208, Overseas Decoration Building, #122 Zhenhua RD., Futian, Shenzhen, China

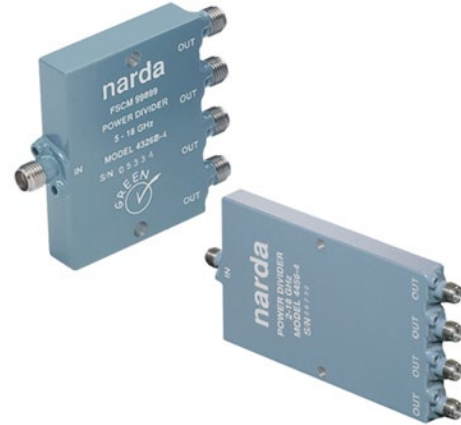


Power Dividers

0.5-33 GHz

Multi-Octave 2- and 4-Way Power Dividers

- Broadband Frequency Coverage from 0.5 to 33 GHz
- Excellent Phase and Amplitude Tracking
- Low Input VSWR
- High Isolation Between Output Ports
- Precision SMA or 2.92 mm Connectors



Specifications

SMA (F) and 2.92 mm (F), 2-Way, 0.5 to 33 GHz, 30 W

FREQUENCY RANGE (GHz)	MODEL	CONNECTOR	BAND SEGMENTS (GHz)	VSWR (max.)		INSERTION LOSS (dB max.)	ISOLATION (dB min.)	AMPLITUDE BALANCE (dB)	PHASE BALANCE	AVERAGE POWER* (W)			WEIGHT	
				INPUT	OUTPUT					A	B	C	oz.	gr.
0.5-2.0	4321B-2	SMA (F)	0.5-2.0	1.25	1.15	0.6	22	0.2	2°	30	20	3	1.1	30
0.5-2.5	4322-2	SMA (F)	0.5-2.5	1.35	1.15	0.3	18	0.2	2°	30	20	3	2.0	55
0.8-2.2	4325-2	SMA (F)	0.8-2.2	1.25	1.15	0.6	23	0.2	2°	30	10	1	1.1	30
2-8	4324-2	SMA (F)	2-4	1.35	1.25	0.2	20	0.2	2°	30	10	1	1.2	35
			4-8	1.35	1.25	0.5	20	0.3	4°					
5-18	4326B-2	SMA (F)	5-12.4	1.35	1.30	0.4	19	0.2	3°	30	10	1	0.7	20
			12.4-18	1.40	1.35	0.6	19	0.3	6°					
2-18	4456-2	SMA (F)	2-8	1.30	1.25	0.5	20	0.2	3°	30	10	1	1.4	38
			8-18	1.40	1.40	1.2	19	0.3	6°					
1.7-26.5	4327C-2	2.92 mm (F)	1.7-2	1.50	1.50	1.1	19	0.3	6°	2	—	—	1.8	50
			2-18	1.40	1.35	1.4	21	0.3	6°					
			18-26.5	1.70	1.50	2.4	16	0.5	10°					
10-33	4328B-2**	2.92 mm (F)	10-18	1.50	1.50	1.5	15	0.5	6°	30	10	1	0.8	22
			18-33	2.00	2.00	1.5	15	0.5	12°					

SMA (F) and 2.92 mm (F), 4-Way, 0.5 to 18 GHz, 30 W

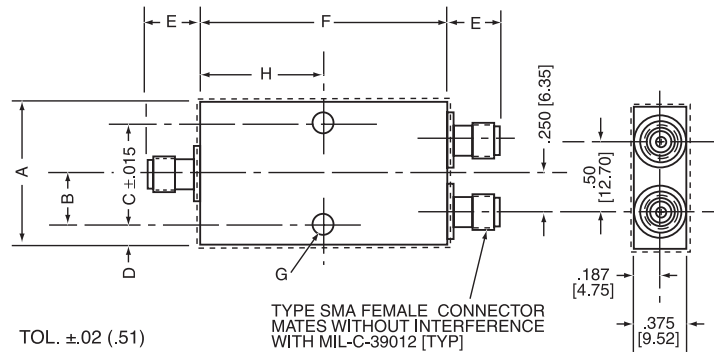
FREQUENCY RANGE (GHz)	MODEL	CONNECTOR	BAND SEGMENTS (GHz)	VSWR (max.)		INSERTION LOSS (dB max.)	ISOLATION (dB min.)	AMPLITUDE BALANCE (dB)	PHASE BALANCE	AVERAGE POWER* (W)			WEIGHT	
				INPUT	OUTPUT					A	B	C	oz.	gr.
0.5-2	4321C-4	SMA (F)	0.5-2	1.45	1.30	1.3	20	0.3	4°	30	10	3	2.9	80
0.5-2.5	4322-4	SMA (F)	0.5-2.5	1.45	1.25	0.7	20	0.3	4°	30	10	1	5.8	165
0.8-2.2	4325-4**	SMA (F)	0.8-2.2	1.25	1.20	0.9	22	0.3	3°	30	20	3	2.9	80
2-8	4324-4	SMA (F)	2-8	1.45	1.35	0.9	18	0.4	4°	30	10	1	4.3	120
5-18	4326B-4	SMA (F)	5-6	1.60	1.40	0.5	18	0.3	3°	30	10	1	2.2	60
			6-18	1.50	1.40	0.9	19	0.5	6°					
2-18	4456-4	SMA (F)	2-8	1.40	1.40	1.0	20	0.4	6°	30	10	1	4.4	125
			8-18	1.50	1.40	1.8	18	0.8	10°					

* Average Power Rating into a load VSWR of (A) 1.2 to 1, (B) 2 to 1 and (C) ∞VSWR

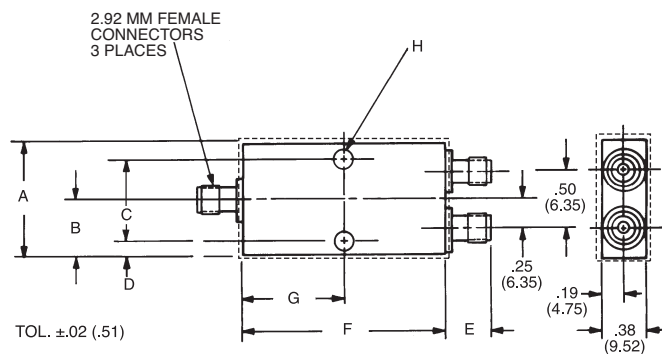
** Custom-order basis: minimum quantity may apply

Power Dividers

Outline Drawings, 2-Way



MODEL	A	B	C ±.015	D	E	F	G (Thru 2 Holes)	H
4321B-2	1.338 (33.98)	.669 (16.99)	1.146 (29.11)	.096 (2.44)	.375 (9.52)	1.204 (30.58)	.104 +.004/-0.002	.602 (15.29)
4322-2	1.70 (43.18)	.85 (21.59)	1.512 (32.40)	.09 (2.38)	.375 (9.52)	1.56 (39.69)	.104 +.004/-0.002	.78 (19.84)
4324-2	1.000 (25.40)	.500 (12.70)	.812 (20.62)	.094 (2.39)	.375 (9.52)	1.688 (42.87)	.104 +.004/-0.002	.844 (21.44)
4326B-2	1.000 (25.40)	.500 (12.70)	.812 (20.62)	.094 (2.39)	.375 (9.52)	.750 (19.05)	.104 +.004/-0.002	.375 (9.52)
4325-2	1.338 (33.98)	.669 (16.99)	1.146 (29.11)	.096 (2.44)	.375 (9.52)	1.204 (30.58)	.104 +.004/-0.002	.602 (15.29)
4456-2	1.000 (25.40)	.500 (12.70)	.700 (17.78)	.150 (3.81)	.375 (9.52)	1.750 (44.45)	.146 ±.003	.875 (22.22)

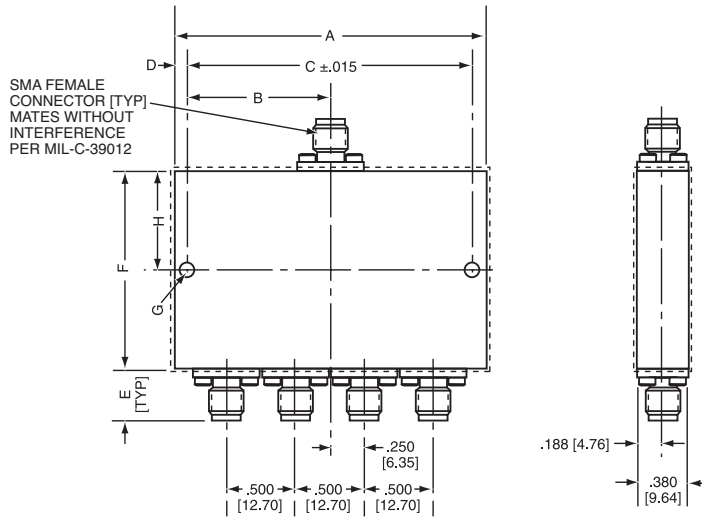


MODEL	A	B	C ±.015	D	E	F	G	H (2 Holes)
4327C-2	1.00 (25.4)	.50 (12.7)	.700 (17.78)	.15 (3.81)	.38 (9.52)	1.40 (35.56)	.70 (17.78)	.146 ±.005
4328B-2	1.00 (25.4)	.50 (12.7)	.812 (20.62)	.09 (2.39)	.38 (9.52)	.75 (19.05)	.38 (9.65)	.104 +.004/-0.002

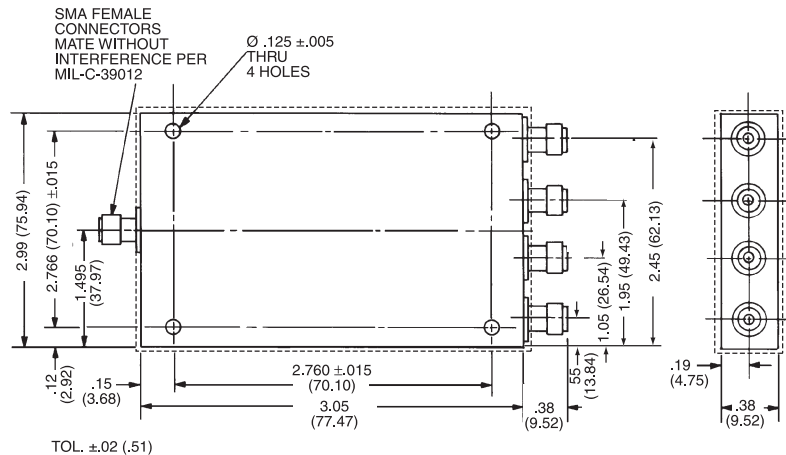
Allow .020 for sealant build-up per surface.
Dimensions in inches (mm in parentheses), unless otherwise specified.

Power Dividers

Outline Drawings, 4-Way



MODEL	A	B	C ±.015	D	E	F	G (Thru 2 Holes)	H
4321C-4	2.343 (59.51)	1.171 (29.74)	2.153 (54.68)	.095 (2.41)	.375 (9.52)	2.11 (53.62)	.104 +.004/-0.002	1.055 (26.79)
4324-4	1.940 (49.27)	.970 (24.63)	1.688 (42.87)	.126 (3.20)	.375 (9.52)	3.448 (87.57)	.146	1.740 (44.20)
4325-4	2.343 (59.51)	1.171 (29.74)	2.153 (54.68)	.095 (2.41)	.380 (9.65)	2.110 (53.62)	.104 +.004/-0.002	1.055 (26.79)
4326B-4	1.940 (49.27)	.970 (24.63)	1.688 (42.87)	.126 (3.20)	.375 (9.52)	1.418 (36.01)	.146	.709 (18.00)
4456-4	1.940 (49.27)	.970 (24.63)	1.688 (42.87)	.126 (3.20)	.375 (9.52)	3.448 (87.57)	.146	1.724 (43.78)



MODEL 4322-4

Allow .020 for sealant build-up per surface.
 Dimensions in inches (mm in parentheses), unless otherwise specified.