



Chipsmall Limited consists of a professional team with an average of over 10 year of expertise in the distribution of electronic components. Based in Hongkong, we have already established firm and mutual-benefit business relationships with customers from,Europe,America and south Asia,supplying obsolete and hard-to-find components to meet their specific needs.

With the principle of "Quality Parts,Customers Priority,Honest Operation,and Considerate Service",our business mainly focus on the distribution of electronic components. Line cards we deal with include Microchip,ALPS,ROHM,Xilinx,Pulse,ON,Everlight and Freescale. Main products comprise IC,Modules,Potentiometer,IC Socket,Relay,Connector.Our parts cover such applications as commercial,industrial, and automotives areas.

We are looking forward to setting up business relationship with you and hope to provide you with the best service and solution. Let us make a better world for our industry!



Contact us

Tel: +86-755-8981 8866 Fax: +86-755-8427 6832

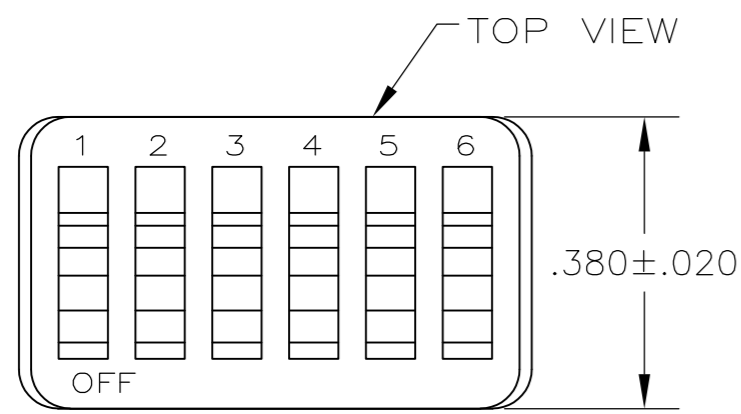
Email & Skype: info@chipsmall.com Web: www.chipsmall.com

Address: A1208, Overseas Decoration Building, #122 Zhenhua RD., Futian, Shenzhen, China

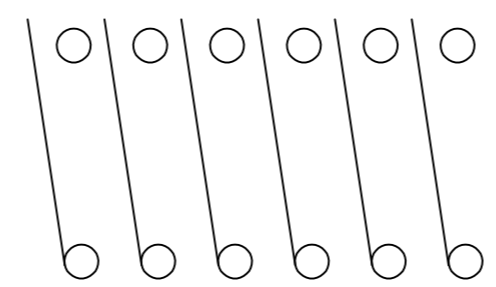
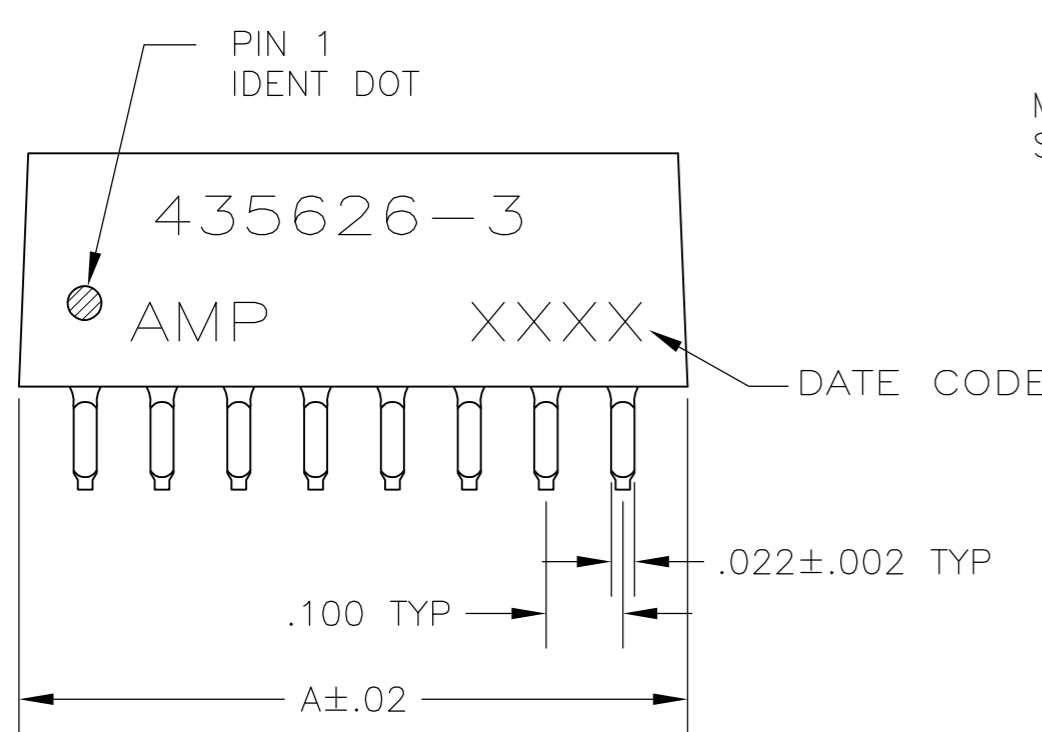
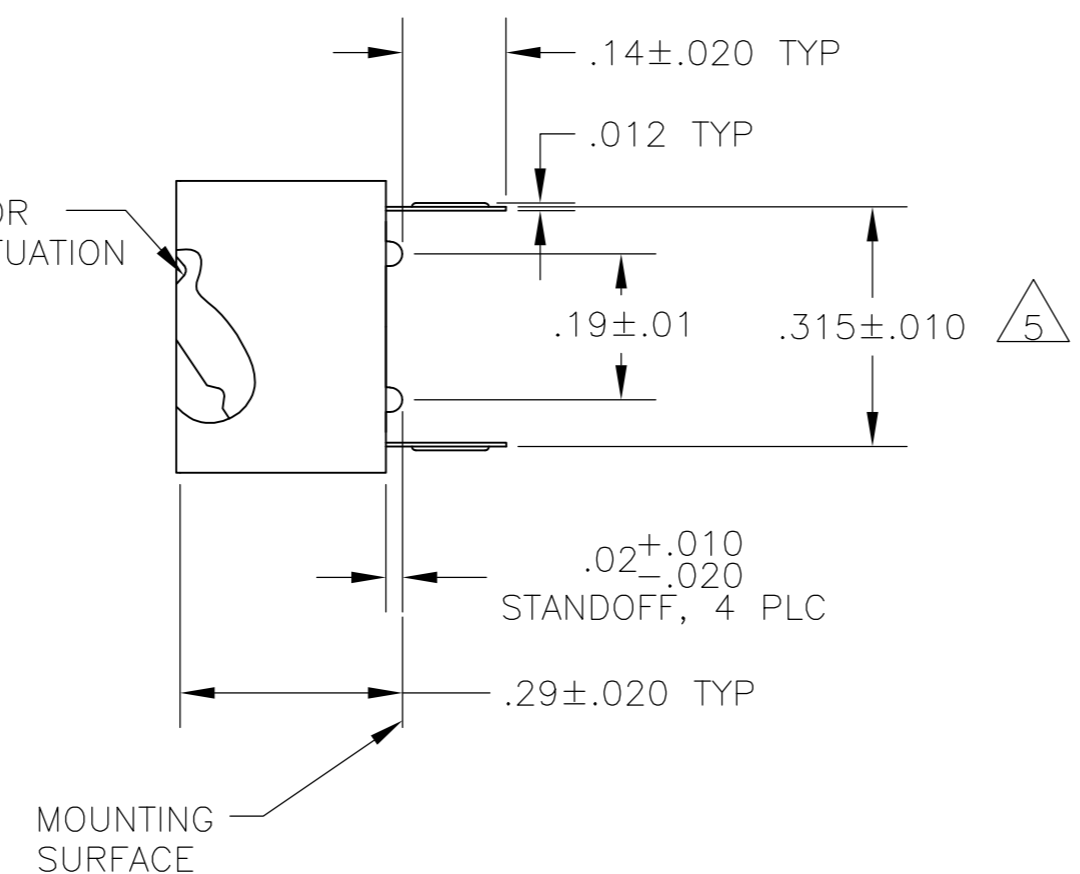


THIS DRAWING IS UNPUBLISHED. RELEASED FOR PUBLICATION
 © COPYRIGHT BY TYCO ELECTRONICS CORPORATION. ALL RIGHTS RESERVED.

LOC	DIST	REVISIONS					
AD	00	P	LTR	DESCRIPTION	DATE	DWN	APVD
		BF1		REVISED PER ECO-09-021510	08SEP09	KK	AEG



NOTCHES FOR
ROCKER ACTUATION



CONTACT ARRANGEMENT

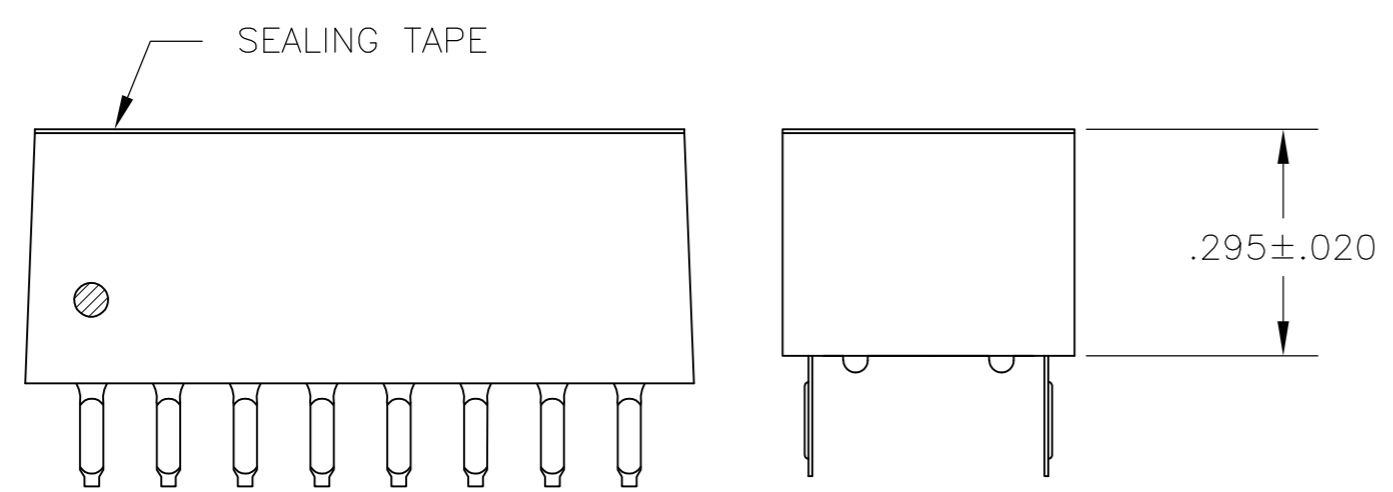


FIG 1

- FOR ADDITIONAL SPECIFICATIONS SEE AMP PRODUCT SPEC 108-7519.
 - SWITCH SHOWN IN OPEN POSITION.
 - ALL CHARACTERS AND ROCKERS ARE WHITE, HOUSING IS BLACK.
 - STAMPING WILL VARY ON 2 & 3 POSITION SIDES DUE TO SPACE RESTRICTIONS.
- △5 .315 DIMENSION APPLIES AT TERMINAL TIPS. TERMINALS ARE .300 ± .010 AT MOUNTING SURFACE.
- △6 ALL MATERIALS AND FINISHES SHALL COMPLY WITH EU DIRECTIVE 2002/95/EC OF 27JAN2003 (ROHS).
- △7 OBSOLETE PARTS: OBSOLETE CIS STREAMLINING PER D.RENAUD/D.SINISI

△7	OBSOLETE	△6	1.08	10	9-435626-4
		△6	.88	8	9-435626-2
△7	OBSOLETE	△6	.78	7	9-435626-1
		△6	.68	6	9-435626-0
		△6	.48	4	8-435626-8
		△6	.38	3	8-435626-7
		△6	.28	2	8-435626-6
		△6	.88	8	5-435626-5
		△6	.58	5	5-435626-2
		△6	.48	4	5-435626-1
					4-435626-9
			1.28	12	4-435626-6
			1.08	10	4-435626-4
			.98	9	4-435626-3
			.88	8	4-435626-2
			.78	7	4-435626-1
			.68	6	4-435626-0
			.58	5	3-435626-9
			.48	4	3-435626-8
			.38	3	3-435626-7
			.28	2	3-435626-6
			.28	2	1-435626-9
			1.08	10	435626-7
			.88	8	435626-5
			.78	7	435626-4
			.68	6	435626-3
			.58	5	435626-2
			.48	4	435626-1

THIS DRAWING IS A CONTROLLED DOCUMENT.		DWN	1-2-90	Tyco Electronics Corporation	
DIMENSIONS: INCHES		CHK	1-3-90	Harrisburg, Pa 17105-3608	
TOLERANCES UNLESS OTHERWISE SPECIFIED:		APVD	1-3-90	NAME	
0 PLC	± -	PRODUCT SPEC		SWITCH ASSY, DIP, TYPE C, 7000 SERIES, SPST, LOW PROFILE	
1 PLC	± -	APPLICATION SPEC		SIZE	CAGE CODE
2 PLC	± -			A2	00779
3 PLC	± .005			DRAWING NO	C=435626
4 PLC	± -			RESTRICTED TO	
ANGLES	± -	WEIGHT	-	SCALE	4:1
FINISH: CONTACTS: PLATED .000030 MIN GOLD IN CONTACT AREA OVER .00050 MIN NICKEL		CUSTOMER DRAWING		SHEET	1 OF 1
MATERIAL: HOUSING & ROCKERS: POLYESTER CONTACTS: BERYLLIUM COPPER				REV	BF1