



Chipsmall Limited consists of a professional team with an average of over 10 year of expertise in the distribution of electronic components. Based in Hongkong, we have already established firm and mutual-benefit business relationships with customers from,Europe,America and south Asia,supplying obsolete and hard-to-find components to meet their specific needs.

With the principle of “Quality Parts,Customers Priority,Honest Operation,and Considerate Service”,our business mainly focus on the distribution of electronic components. Line cards we deal with include Microchip,ALPS,ROHM,Xilinx,Pulse,ON,Everlight and Freescale. Main products comprise IC,Modules,Potentiometer,IC Socket,Relay,Connector.Our parts cover such applications as commercial,industrial, and automotives areas.

We are looking forward to setting up business relationship with you and hope to provide you with the best service and solution. Let us make a better world for our industry!



## Contact us

Tel: +86-755-8981 8866 Fax: +86-755-8427 6832

Email & Skype: info@chipsmall.com Web: www.chipsmall.com

Address: A1208, Overseas Decoration Building, #122 Zhenhua RD., Futian, Shenzhen, China



THIS DRAWING IS UNPUBLISHED. RELEASED FOR PUBLICATION  
 © COPYRIGHT - By - ALL RIGHTS RESERVED.

LOC		DIST		REVISIONS			
P	LTR	DESCRIPTION	DATE	DWN	APVD		
AD	00	AM3	REVISED PER ECO-11-004587	11MAR11	RK	HMR	

- FOR ADDITIONAL SPECIFICATIONS SEE AMP PRODUCT SPEC 108-7532.
- SWITCH SHOWN IN OPEN POSITION.
- ALL CHARACTERS AND ROCKERS ARE WHITE, HOUSING IS BLUE.
- STAMPING WILL VARY ON 2 AND 3 POSITION SIDES DUE TO SPACE RESTRICTIONS.

△5 .315 DIMENSION APPLIES AT TERMINAL TIPS.  
 TERMINALS ARE .300<sup>+.010</sup>-.000 AT MOUNTING SURFACE.  
 △6 STRIPPABLE TRANSPARENT SEAL, SEE FIG 1.

△7	OBSOLETE	FIG 6				
			1.08	10	6-435640-1	
			.58	5	6-435640-0	
			.48	4	5-435640-9	
			.88	8	5-435640-8	
			.98	9	5-435640-7	
			.68	6	5-435640-6	
			.58	5	5-435640-5	
			.48	4	5-435640-4	
			.88	8	5-435640-3	
			.88	8	5-435640-2	
			1.08	10	5-435640-1	
			.88	8	5-435640-0	
			.88	8	4-435640-9	
			.58	5	4-435640-8	
			1.08	10	4-435640-7	
			1.28	12	4-435640-3	
			1.08	10	4-435640-1	
			.98	9	4-435640-0	
			.88	8	3-435640-9	
			.78	7	3-435640-8	
			.68	6	3-435640-7	
			.58	5	3-435640-6	
			.48	4	3-435640-5	
			.38	3	3-435640-4	
			.28	2	3-435640-3	
			1.28	12	3-435640-2	
			.38	3	3-435640-0	
			.28	2	2-435640-9	
			.78	7	2-435640-2	
			1.08	10	435640-7	
			.98	9	435640-6	
			.88	8	435640-5	
			.68	6	435640-4	
			.58	5	435640-3	
			.48	4	435640-2	
			.78	7	435640-1	

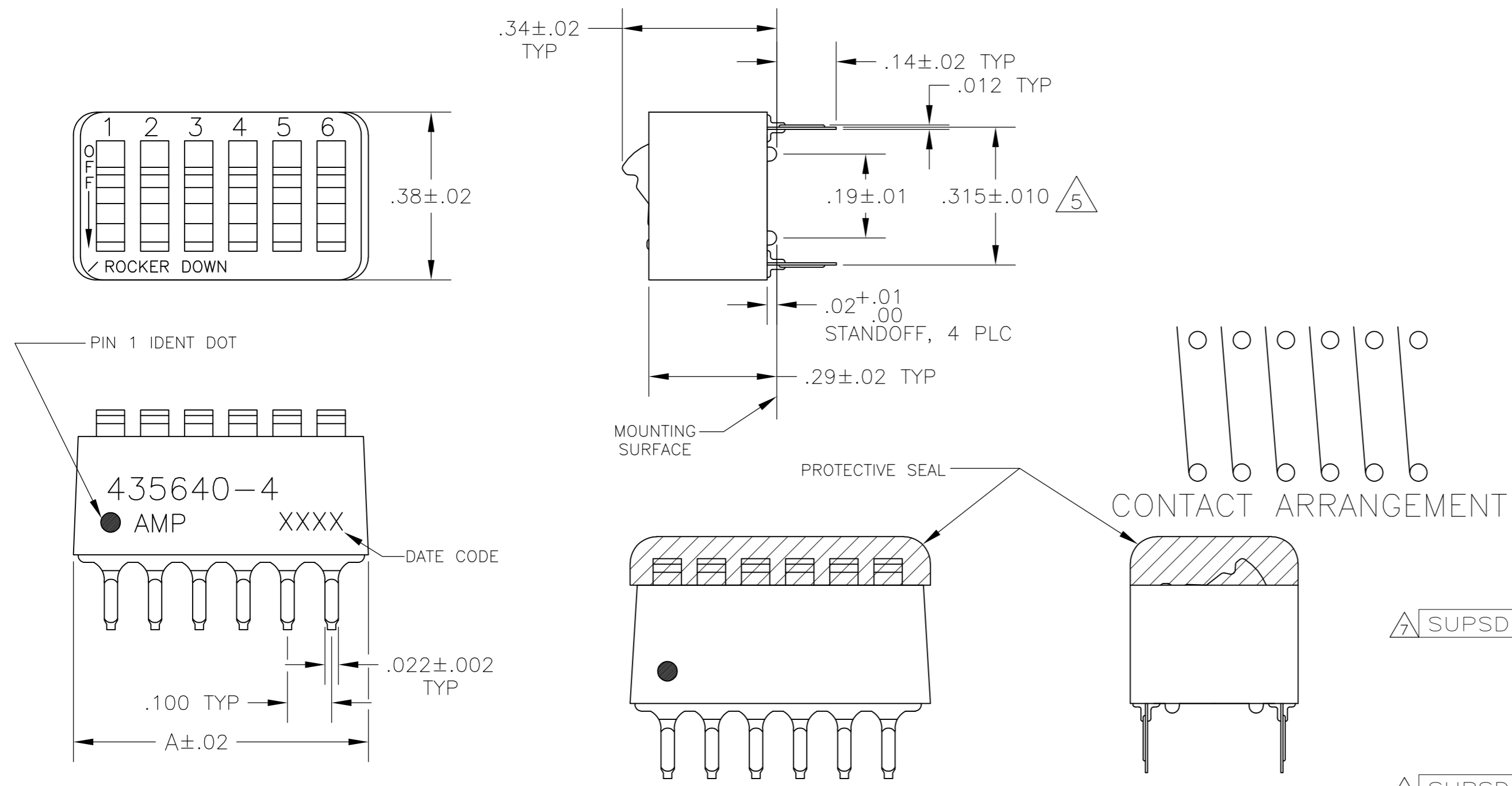


FIG 2

FIG 3

FIG 4

FIG 5

FIG 6

FIG 7

△7 OBSOLETE PARTS: OBSOLETE CIS STREAMLINING PER D.RENAUD/D.SINISI

THIS DRAWING IS A CONTROLLED DOCUMENT.		DWN R.TALLEY 15NOV89		
DIMENSIONS: INCHES		CHK R.L.MILLER 06MARGO		
TOLERANCES UNLESS OTHERWISE SPECIFIED:		APVD H.LEITER 06MARGO	NAME	
0 PLC ± -		PRODUCT SPEC	SWITCH ASSY, DIP, TYPE C, 7100 SERIES, SPST, STANDARD	
1 PLC ± -		APPLICATION SPEC	SIZE A2 CAGE CODE 00779 C=435640	
2 PLC ± -		WEIGHT -	DRAWING NO 00779 C=435640	
3 PLC ± .005		CUSTOMER DRAWING	RESTRICTED TO -	
4 PLC ± -			SCALE 4:1 SHEET 1 of 1 REV AM3	
ANGLES ± -				
FINISH				
CONTACTS: PLATED .000030 MIN GOLD IN CONTACT AREA OVER .000050 MIN NICKEL				
HOUSING & ROCKERS; POLYESTER CONTACTS; COPPER ALLOY				