



Chipsmall Limited consists of a professional team with an average of over 10 year of expertise in the distribution of electronic components. Based in Hongkong, we have already established firm and mutual-benefit business relationships with customers from,Europe,America and south Asia,supplying obsolete and hard-to-find components to meet their specific needs.

With the principle of “Quality Parts,Customers Priority,Honest Operation,and Considerate Service”,our business mainly focus on the distribution of electronic components. Line cards we deal with include Microchip,ALPS,ROHM,Xilinx,Pulse,ON,Everlight and Freescale. Main products comprise IC,Modules,Potentiometer,IC Socket,Relay,Connector.Our parts cover such applications as commercial,industrial, and automotives areas.

We are looking forward to setting up business relationship with you and hope to provide you with the best service and solution. Let us make a better world for our industry!



## Contact us

Tel: +86-755-8981 8866 Fax: +86-755-8427 6832

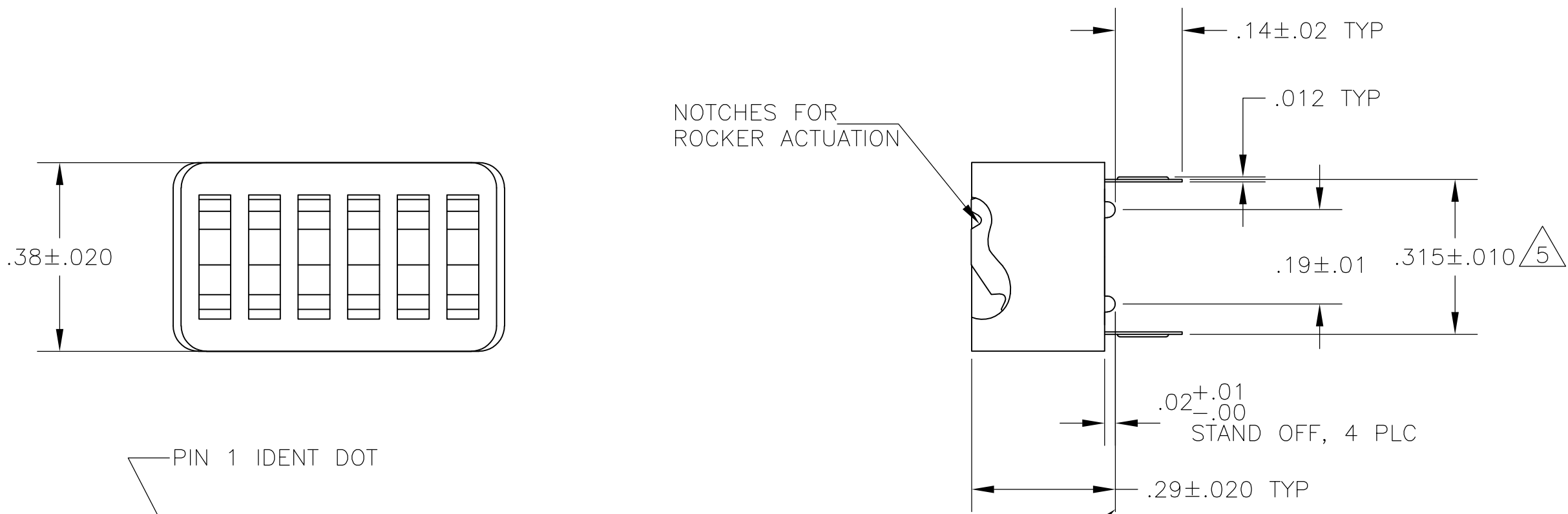
Email & Skype: info@chipsmall.com Web: www.chipsmall.com

Address: A1208, Overseas Decoration Building, #122 Zhenhua RD., Futian, Shenzhen, China

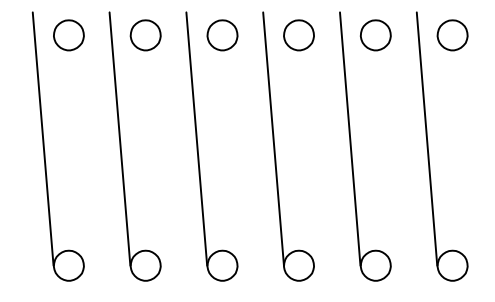
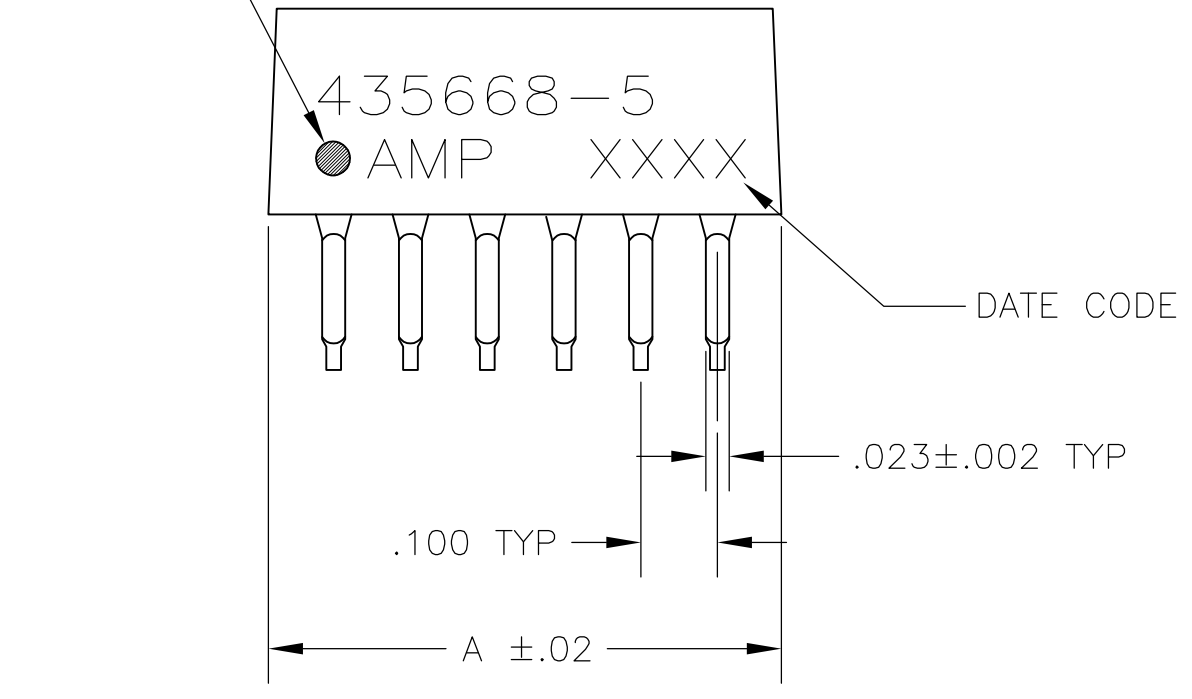


THIS DRAWING IS UNPUBLISHED. RELEASED FOR PUBLICATION  
 © COPYRIGHT - By - ALL RIGHTS RESERVED.

| LOC |     | DIST        |                          | REVISIONS |      |     |  |
|-----|-----|-------------|--------------------------|-----------|------|-----|--|
| P   | LTR | DESCRIPTION | DATE                     | DWN       | APVD |     |  |
| AD  | 00  | AM2         | REVISD PER ECO-11-004587 | 11MAR11   | RK   | HMR |  |



- FOR ADDITIONAL SPECIFICATIONS SEE AMP PRODUCT SPEC 108-7532.
  - SWITCH SHOWN IN OPEN POSITION.
  - ALL CHARACTERS AND ROCKERS ARE WHITE, HOUSING IS BLUE.
  - STAMPING WILL VARY ON 2 AND 3 POSITION SIDES DUE TO SPACE RESTRICTIONS.
- 5 .315 DIMENSION APPLIES AT TERMINAL TIPS. TERMINALS ARE .300<sup>+.010</sup>/<sub>-.000</sub> AT MOUNTING SURFACE.
- 6 OBSOLETE PARTS: OBSOLETE CIS STREAMLINING PER D.RENAUD/D.SINISI



CONTACT ARRANGEMENT

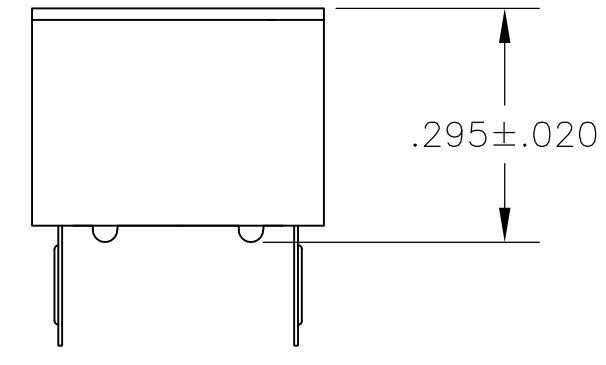
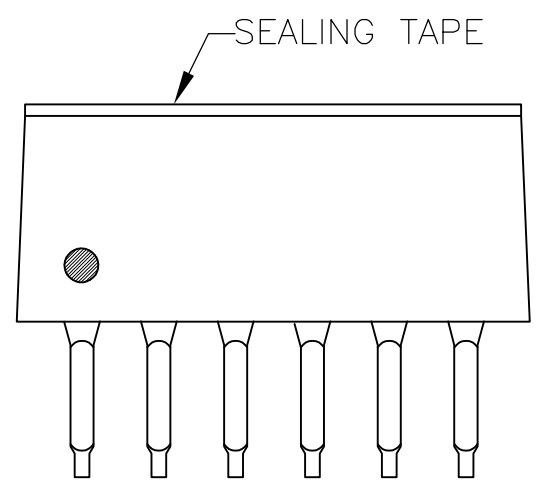


FIG1

435668-5 SHOWN

| FIG                                | DESCRIPTION | DATE  | DWN | APVD |
|------------------------------------|-------------|-------|-----|------|
| 6                                  | OBSOLETE    | FIG 7 |     |      |
|                                    | OBSOLETE    | FIG 6 |     |      |
|                                    | OBSOLETE    | FIG 5 |     |      |
| SUPERSEDED BY 2-435668-5 FIG 3 & 4 |             |       |     |      |
|                                    | OBSOLETE    |       |     |      |
| 6                                  | OBSOLETE    |       |     |      |
| SUPERSEDED BY 3-435668-2           |             |       |     |      |
| OBSOLETE                           |             |       |     |      |
| SUPERSEDED BY 2-435668-7           |             |       |     |      |
| SUPERSEDED BY 3-435668-3           |             |       |     |      |
| 6                                  | OBSOLETE    |       |     |      |

|   |  |                  |         |          |  |
|---|--|------------------|---------|----------|--|
| THIS DRAWING IS A CONTROLLED DOCUMENT.                                    |  | DWN              | 02JAN90 | R.TALLEY |  |
| DIMENSIONS: INCHES  |  | CHK              | 03JAN90 | R.MILLER |  |
| TOLERANCES UNLESS OTHERWISE SPECIFIED:                                    |  | APVD             | 03JAN90 | H.LEITER |  |
| 0 PLC ± -   |  | PRODUCT SPEC     |         |          |  |
| 1 PLC ± -   |  | APPLICATION SPEC |         |          |  |
| 2 PLC ± -   |  | -                |         |          |  |
| 3 PLC ± .005  |  | -                |         |          |  |
| 4 PLC ± -   |  | -                |         |          |  |
| ANGLES ± -  |  | -                |         |          |  |
| FINISH  |  | WEIGHT           |         |          |  |
| HOUSING & ROCKERS: POLYESTER  |  | -                |         |          |  |
| CONTACTS: COPPER ALLOY  |  | -                |         |          |  |
| CONTACTS: PLATED .000030 MIN GOLD IN CONTACT AREA OVER .000050 MIN NICKEL |  | -                |         |          |  |
| MATERIAL  |  | SCALE            |         | SHEET    |  |
| -   |  | A2 00779         |         | C=435668 |  |
| CUSTOMER DRAWING  |  | SCALE            |         | SHEET    |  |
| -   |  | 4:1              |         | 1 of 2   |  |
| -   |  | REV              |         | AM2      |  |

THIS DRAWING IS UNPUBLISHED. RELEASED FOR PUBLICATION  
 © COPYRIGHT - By - ALL RIGHTS RESERVED.

| LOC | DIST | REVISIONS |     |             |      |     |      |
|-----|------|-----------|-----|-------------|------|-----|------|
| AD  | 00   | P         | LTR | DESCRIPTION | DATE | DWN | APVD |
|     |      | -         | -   | SEE SHEET 1 | -    | -   | -    |

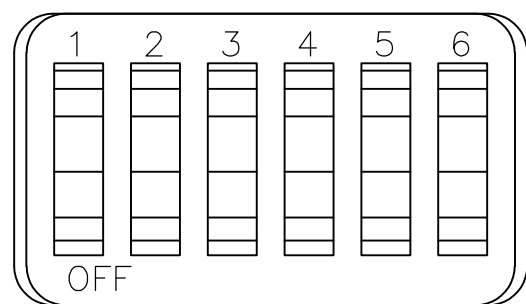


FIG 2

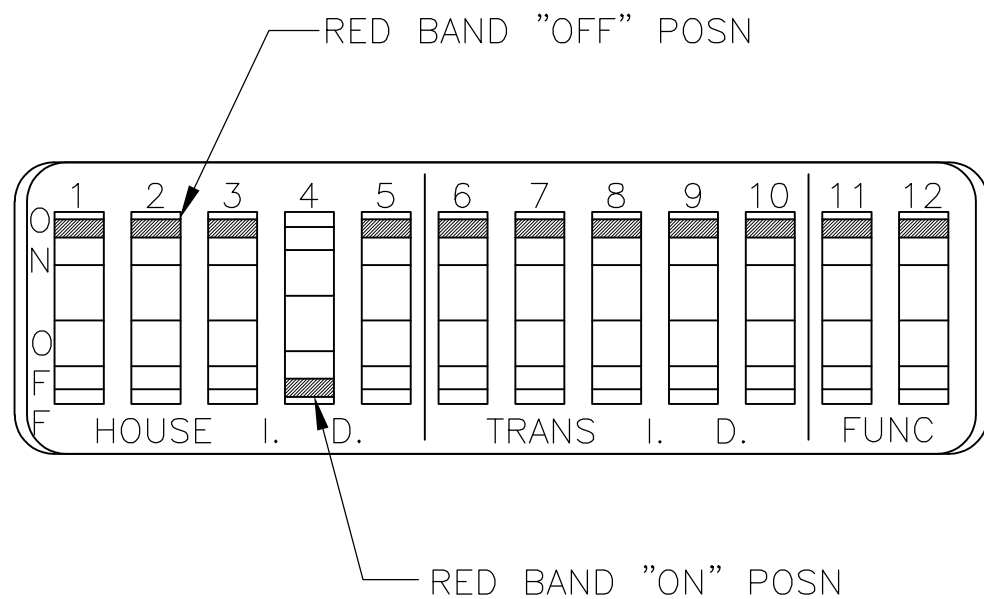


FIG 5

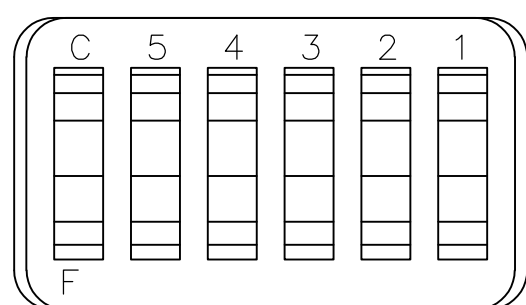


FIG 3

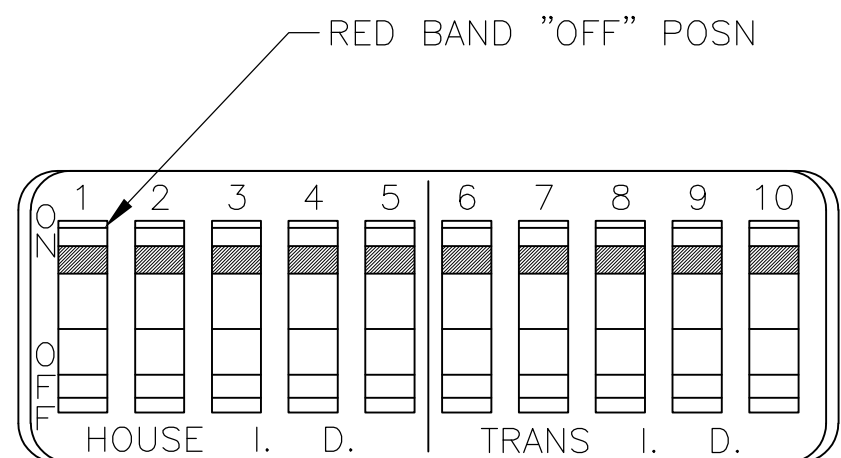


FIG 6

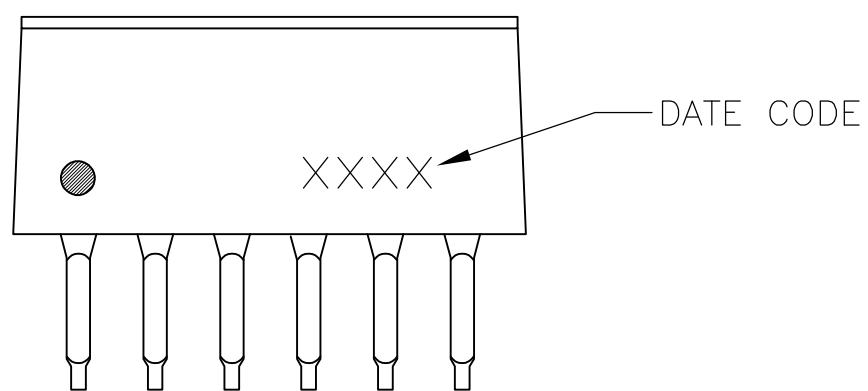


FIG 4

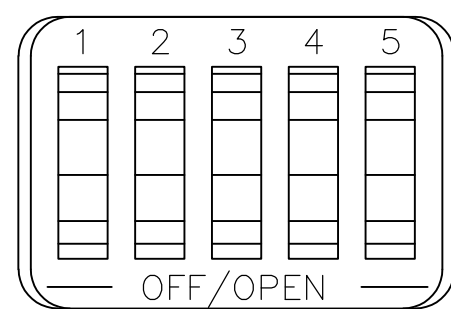


FIG 7

|  |  |                             |   |                    |                        |                    |
|--|--|-----------------------------|---|--------------------|------------------------|--------------------|
| THIS DRAWING IS A CONTROLLED DOCUMENT. |  | DWN<br>R.TALLEY<br>02JAN90  |   |                    |                        |                    |
| DIMENSIONS:<br>INCHES                  |  | CHK<br>R.MILLER<br>03JAN90  |   |                    |                        |                    |
| TOLERANCES UNLESS OTHERWISE SPECIFIED: |  | APVD<br>H.LEITER<br>03JAN90 | NAME<br>SWITCH ASSY, DIP, TYPE C,<br>7100 SERIES, SPST, LOW PROFILE |                    |                        |                    |
|  |  | PRODUCT SPEC<br>-           | SIZE<br>A2  | CAGE CODE<br>00779 | DRAWING NO<br>C=435668 | RESTRICTED TO<br>- |
| MATERIAL                               |  | FINISH                      | WEIGHT<br>-   | SCALE<br>4:1       | SHEET<br>2 of 2        | REV<br>AM2         |
| CUSTOMER DRAWING                       |  |                             |   |                    |                        |                    |