



Chipsmall Limited consists of a professional team with an average of over 10 year of expertise in the distribution of electronic components. Based in Hongkong, we have already established firm and mutual-benefit business relationships with customers from,Europe,America and south Asia,supplying obsolete and hard-to-find components to meet their specific needs.

With the principle of “Quality Parts,Customers Priority,Honest Operation,and Considerate Service”,our business mainly focus on the distribution of electronic components. Line cards we deal with include Microchip,ALPS,ROHM,Xilinx,Pulse,ON,Everlight and Freescale. Main products comprise IC,Modules,Potentiometer,IC Socket,Relay,Connector.Our parts cover such applications as commercial,industrial, and automotives areas.

We are looking forward to setting up business relationship with you and hope to provide you with the best service and solution. Let us make a better world for our industry!



Contact us

Tel: +86-755-8981 8866 Fax: +86-755-8427 6832

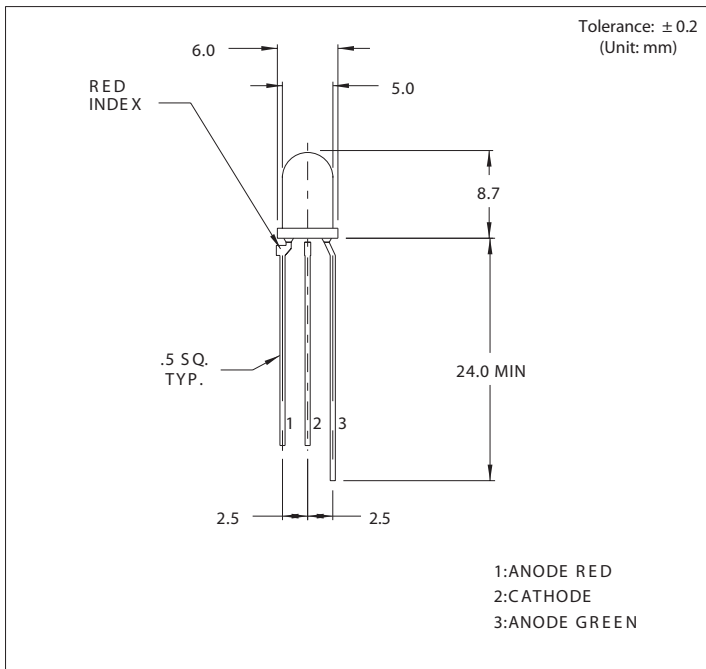
Email & Skype: info@chipsmall.com Web: www.chipsmall.com

Address: A1208, Overseas Decoration Building, #122 Zhenhua RD., Futian, Shenzhen, China



4361H1/5 High Brite Tri-Color T-1 3/4 LED Lamp

Description and Features



Features

T-1 3/4 Tri-color LED

- Provides red, green and amber in same three lead package.
- Chips are brightness matched.
- Lights amber when both chips are illuminated.

Electro-Optical Characteristics and Ratings

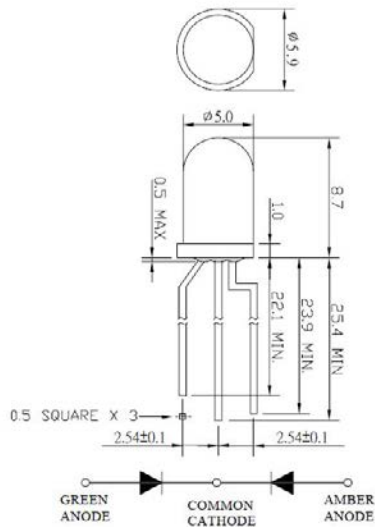
PART NUMBER	4361H1/5	
Output Color	Red	Green
Diffusion	Diffused	Diffused
Package Color	White	White
Test Current (mA)	10	10
Foward Voltage Typ. (V)	2.0	2.1
Foward Voltage Max. (V)	3.0	3.0
Luminous Intensity Min. (mcd)	2.2	3.6
Luminous Intensity Typ. (mcd)	6.3	10
Luminous Intensity Max. (mcd)	-	-
Peak Wavelength (nm)	650	563
Viewing Angle 20 1/2 (degrees)	40	40
Power Dissipation (mW)	60	75
Operating Temperature (°C)	-25 to +85	-25 to +85
Storage Temperature (°C)	-30 to +100	-30 to +100
Peak Forward Current Max. (1μs @ 10% duty cycle) (mA)	60	60
Reverse Voltage (IR = 100μA) (V)	3	3
Lead Solder Time @ 260°C	5	5

4361H3/5 High Brite Bi-Color T-1 3/4 LED Lamp

Description and Features

Features

- T-1 3/4 Bi-color LED
- Chips are brightness matched.



Notes:

- All dimensions are in mm.
- Tolerance is ± 0.25mm unless otherwise noted.

Electro-Optical Characteristics and Ratings

PART NUMBER	4361H3/5	
Output Color	Amber	Green
Diffusion	Diffused	Diffused
Package Color	White	White
Test Current (mA)	20	20
Foward Voltage Typ. (V)	2.1	2.1
Foward Voltage Max. (V)	2.6	2.6
Luminous Intensity Min. (mcd)	9.8	9.8
Luminous Intensity Typ. (mcd)	20.0	20.0
Luminous Intensity Max. (mcd)	-	-
Peak Wavelength (nm)	610	567
Viewing Angle 20 1/2 (degrees)	70	70
Power Dissipation (mW)	78	78
Operating Temperature (°C)	-40 to +95	-40 to +95
Storage Temperature (°C)	-40 to +100	-40 to +100
Peak Forward Current Max. (1µs @ 10% duty cycle) (mA)	100	100
Reverse Voltage (IR = 100µA) (V)	5	5
Lead Solder Time @ 260°C	5	5