



Chipsmall Limited consists of a professional team with an average of over 10 year of expertise in the distribution of electronic components. Based in Hongkong, we have already established firm and mutual-benefit business relationships with customers from,Europe,America and south Asia,supplying obsolete and hard-to-find components to meet their specific needs.

With the principle of “Quality Parts,Customers Priority,Honest Operation,and Considerate Service”,our business mainly focus on the distribution of electronic components. Line cards we deal with include Microchip,ALPS,ROHM,Xilinx,Pulse,ON,Everlight and Freescale. Main products comprise IC,Modules,Potentiometer,IC Socket,Relay,Connector.Our parts cover such applications as commercial,industrial, and automotives areas.

We are looking forward to setting up business relationship with you and hope to provide you with the best service and solution. Let us make a better world for our industry!



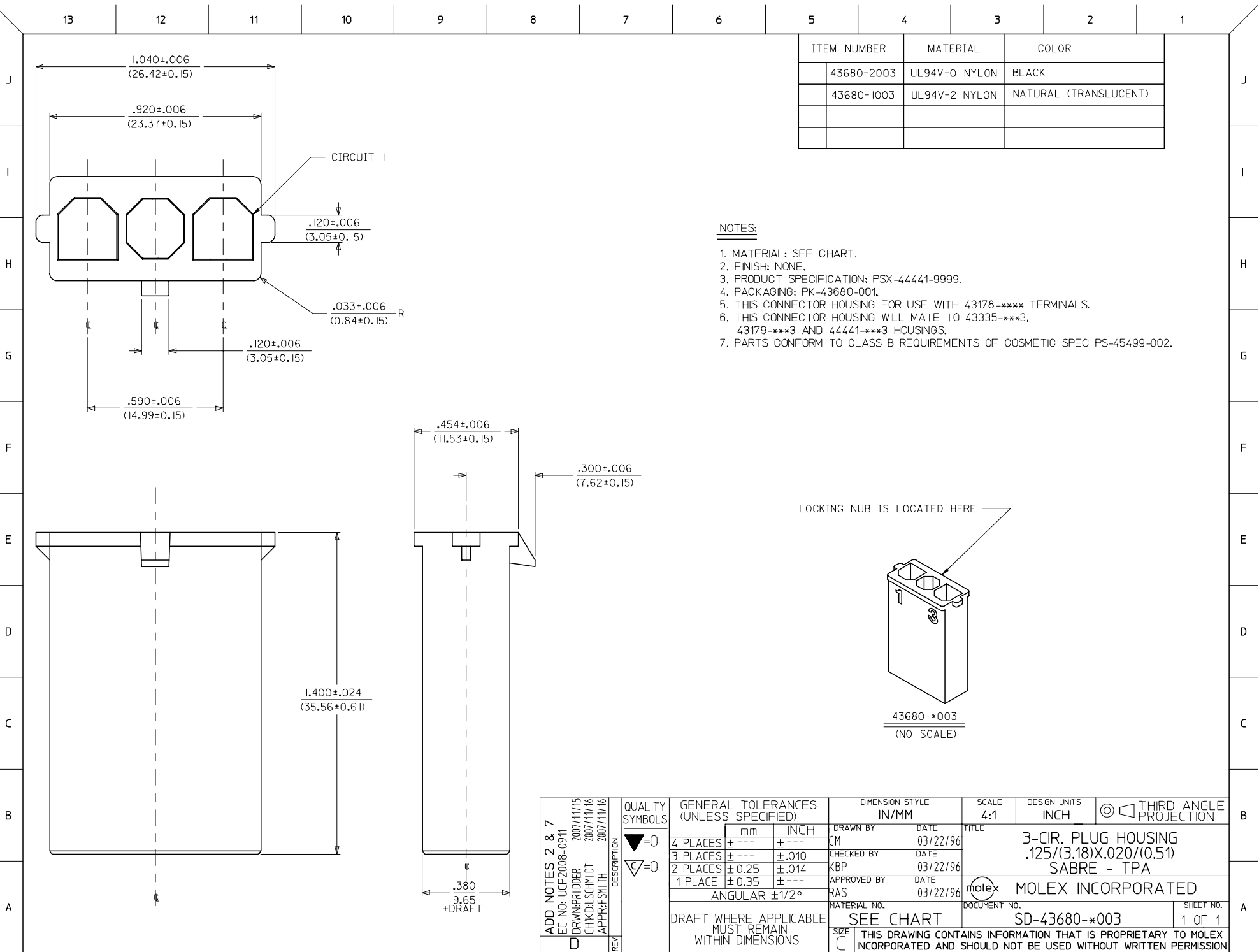
Contact us

Tel: +86-755-8981 8866 Fax: +86-755-8427 6832

Email & Skype: info@chipsmall.com Web: www.chipsmall.com

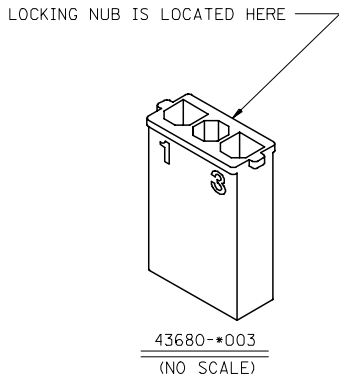
Address: A1208, Overseas Decoration Building, #122 Zhenhua RD., Futian, Shenzhen, China





ITEM NUMBER	MATERIAL	COLOR
43680-2003	UL94V-0 NYLON	BLACK
43680-1003	UL94V-2 NYLON	NATURAL (TRANSLUCENT)

- NOTES:**
1. MATERIAL: SEE CHART.
 2. FINISH: NONE.
 3. PRODUCT SPECIFICATION: PSX-44441-9999.
 4. PACKAGING: PK-43680-001.
 5. THIS CONNECTOR HOUSING FOR USE WITH 43178-**** TERMINALS.
 6. THIS CONNECTOR HOUSING WILL MATE TO 43335-***3, 43179-***3 AND 44441-***3 HOUSINGS.
 7. PARTS CONFORM TO CLASS B REQUIREMENTS OF COSMETIC SPEC PS-45499-002.



ADD NOTES 2 & 7 EC NO: UCP2008-0911 DRAWN/PRD/DR 2007/11/15 CHKD:LSH/MT 2007/11/16 APPR:FSM/TH 2007/11/16 REV	QUALITY SYMBOLS	GENERAL TOLERANCES (UNLESS SPECIFIED)	DIMENSION STYLE	SCALE	DESIGN UNITS	THIRD ANGLE PROJECTION															
	$\nabla=0$ $\nabla=0$	<table border="1"> <thead> <tr> <th></th> <th>mm</th> <th>INCH</th> </tr> </thead> <tbody> <tr> <td>4 PLACES</td> <td>± .010</td> <td>± .0004</td> </tr> <tr> <td>3 PLACES</td> <td>± .014</td> <td>± .0005</td> </tr> <tr> <td>2 PLACES</td> <td>± .025</td> <td>± .0010</td> </tr> <tr> <td>1 PLACE</td> <td>± 0.35</td> <td>± .0138</td> </tr> </tbody> </table>		mm	INCH	4 PLACES	± .010	± .0004	3 PLACES	± .014	± .0005	2 PLACES	± .025	± .0010	1 PLACE	± 0.35	± .0138	IN/MM	4:1	INCH	
		mm	INCH																		
	4 PLACES	± .010	± .0004																		
3 PLACES	± .014	± .0005																			
2 PLACES	± .025	± .0010																			
1 PLACE	± 0.35	± .0138																			
		DRAWN BY	DATE	TITLE																	
		CHECKED BY	DATE																		
		APPROVED BY	DATE																		
		RAS	03/22/96																		
		MATERIAL NO.		DOCUMENT NO.	SHEET NO.																
		SEE CHART		SD-43680-*003	1 OF 1																
		DRAFT WHERE APPLICABLE MUST REMAIN WITHIN DIMENSIONS	THIS DRAWING CONTAINS INFORMATION THAT IS PROPRIETARY TO MOLEX INCORPORATED AND SHOULD NOT BE USED WITHOUT WRITTEN PERMISSION																		