



Chipsmall Limited consists of a professional team with an average of over 10 year of expertise in the distribution of electronic components. Based in Hongkong, we have already established firm and mutual-benefit business relationships with customers from,Europe,America and south Asia,supplying obsolete and hard-to-find components to meet their specific needs.

With the principle of “Quality Parts,Customers Priority,Honest Operation,and Considerate Service”,our business mainly focus on the distribution of electronic components. Line cards we deal with include Microchip,ALPS,ROHM,Xilinx,Pulse,ON,Everlight and Freescale. Main products comprise IC,Modules,Potentiometer,IC Socket,Relay,Connector.Our parts cover such applications as commercial,industrial, and automotives areas.

We are looking forward to setting up business relationship with you and hope to provide you with the best service and solution. Let us make a better world for our industry!



Contact us

Tel: +86-755-8981 8866 Fax: +86-755-8427 6832

Email & Skype: info@chipsmall.com Web: www.chipsmall.com

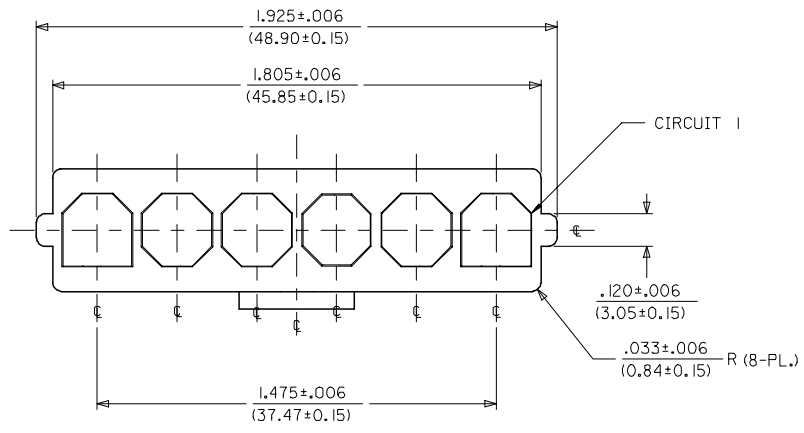
Address: A1208, Overseas Decoration Building, #122 Zhenhua RD., Futian, Shenzhen, China



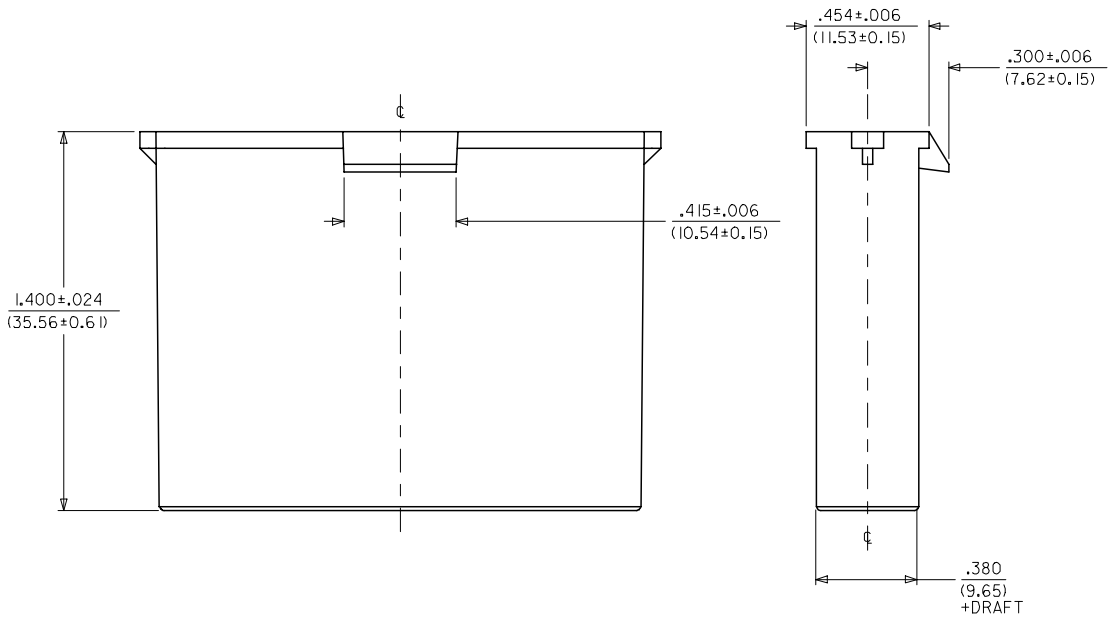
13 12 11 10 9 8 7 6 5 4 3 2 1

J
I
H
G
F
E
D
C
B
A

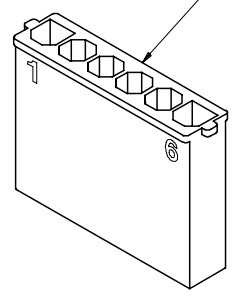
ITEM NUMBER	MATERIAL	COLOR
43680-2006	UL94V-0 NYLON	BLACK
43680-1006	UL94V-2 NYLON	NATURAL (TRANSLUCENT)



- NOTE:
1. MATERIAL: SEE CHART.
 2. FINISH: NONE.
 3. PRODUCT SPECIFICATION: PSX-44441-9999.
 4. PACKAGING: PK-43680-001.
 5. THIS CONNECTOR HOUSING FOR USE WITH 43178-**** TERMINALS.
 6. THIS CONNECTOR HOUSING WILL MATE TO 43335-***6, 43179-***6 AND 44441-***6 HOUSINGS.
 7. PARTS CONFORM TO CLASS B REQUIREMENTS OF COSMETIC SPEC PS-45499-002.



LOCKING NUB IS LOCATED HERE



43680-*006
(NO SCALE)

ADD NOTES 2 & 7 EC NO: UCP2008-0911 DRAWN/PRD/DR 2007/11/15 CHKD:LS/HMT 2007/11/16 APPR:FSM/TH 2007/11/16 REV DESCRIPTION	QUALITY SYMBOLS	GENERAL TOLERANCES (UNLESS SPECIFIED)	DIMENSION STYLE	SCALE	DESIGN UNITS	THIRD ANGLE PROJECTION
	▽=0 ▽=0	mm INCH 4 PLACES ± --- ± --- 3 PLACES ± --- ±.010 2 PLACES ± 0.25 ±.014 1 PLACE ± 0.35 ± --- ANGULAR ±1/2°	IN/MM	4:1	INCH	☉ □ THIRD ANGLE PROJECTION
		DRAFT WHERE APPLICABLE MUST REMAIN WITHIN DIMENSIONS	SEE CHART			6-CIR. PLUG HOUSING .125/(3.18)X.020/(0.51) SABRE - TPA
						MOLEX INCORPORATED SD-43680-*006
						SHEET NO. 1 OF 1

12 11 10 9 8 7 6 5 4 3 2 1