



Chipsmall Limited consists of a professional team with an average of over 10 year of expertise in the distribution of electronic components. Based in Hongkong, we have already established firm and mutual-benefit business relationships with customers from,Europe,America and south Asia,supplying obsolete and hard-to-find components to meet their specific needs.

With the principle of “Quality Parts,Customers Priority,Honest Operation,and Considerate Service”,our business mainly focus on the distribution of electronic components. Line cards we deal with include Microchip,ALPS,ROHM,Xilinx,Pulse,ON,Everlight and Freescale. Main products comprise IC,Modules,Potentiometer,IC Socket,Relay,Connector.Our parts cover such applications as commercial,industrial, and automotives areas.

We are looking forward to setting up business relationship with you and hope to provide you with the best service and solution. Let us make a better world for our industry!



Contact us

Tel: +86-755-8981 8866 Fax: +86-755-8427 6832

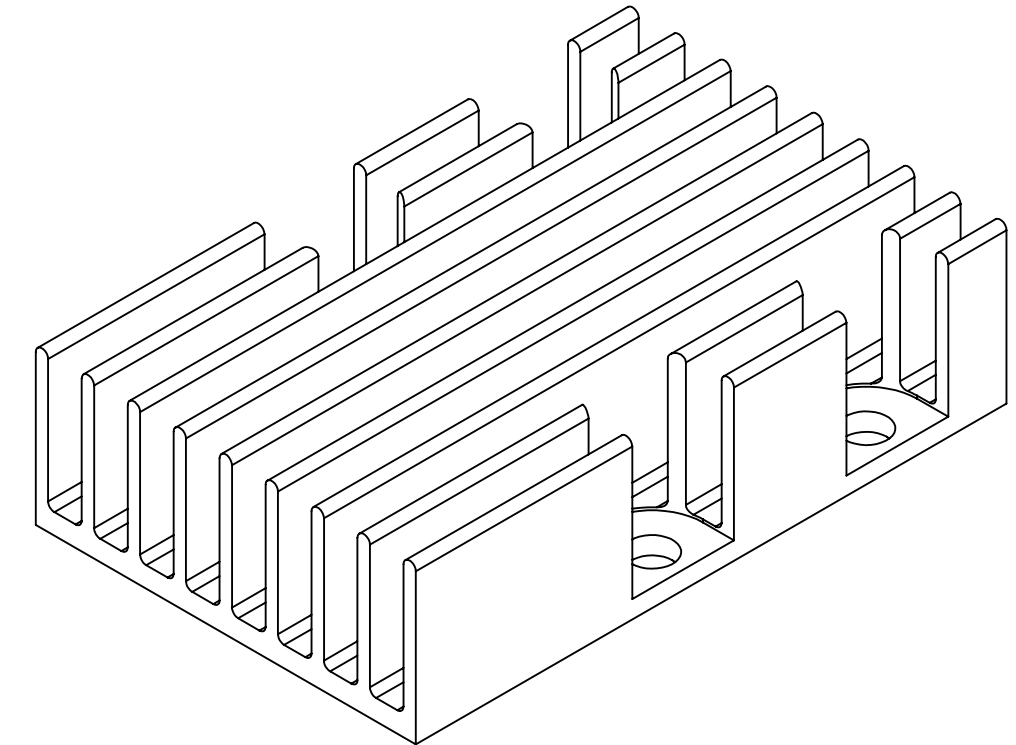
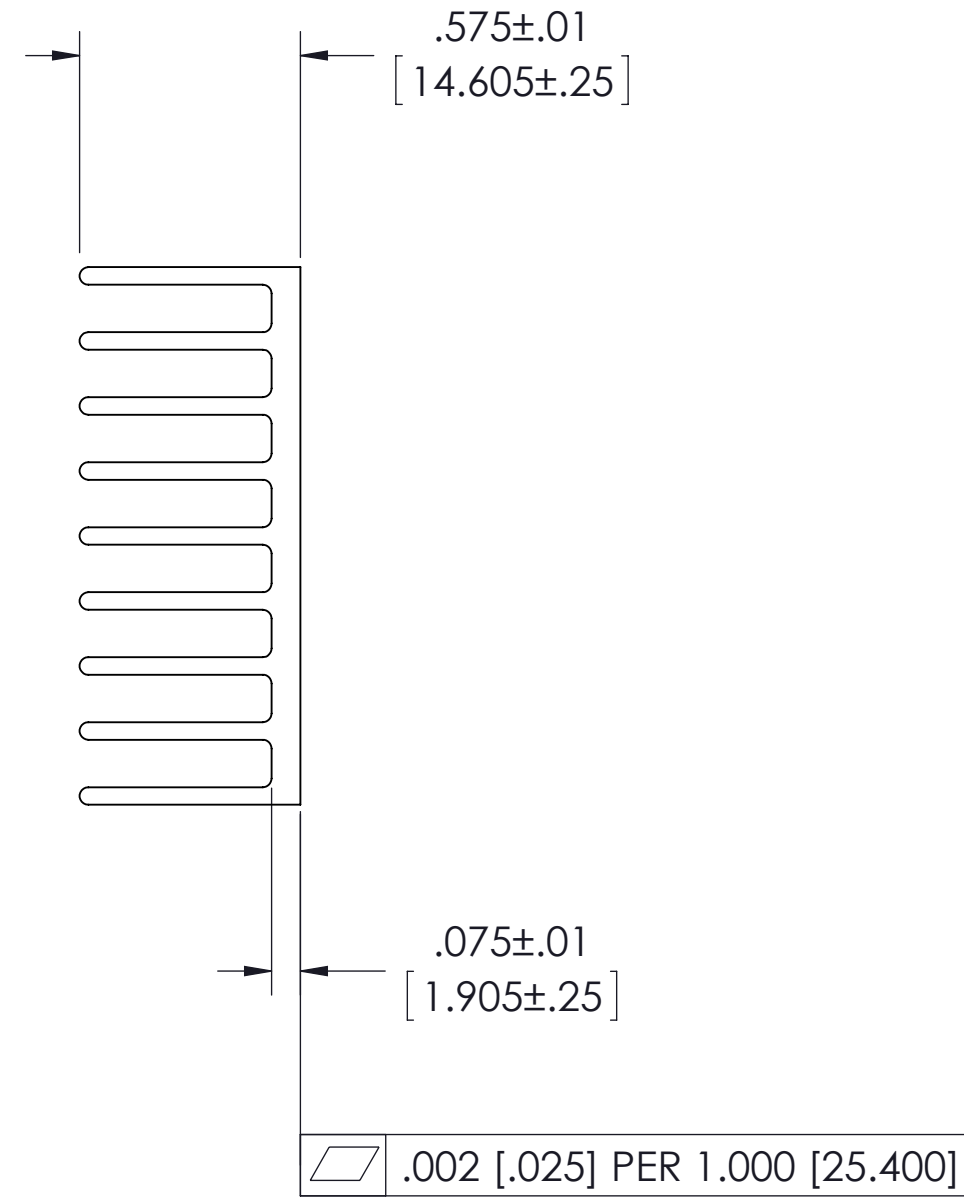
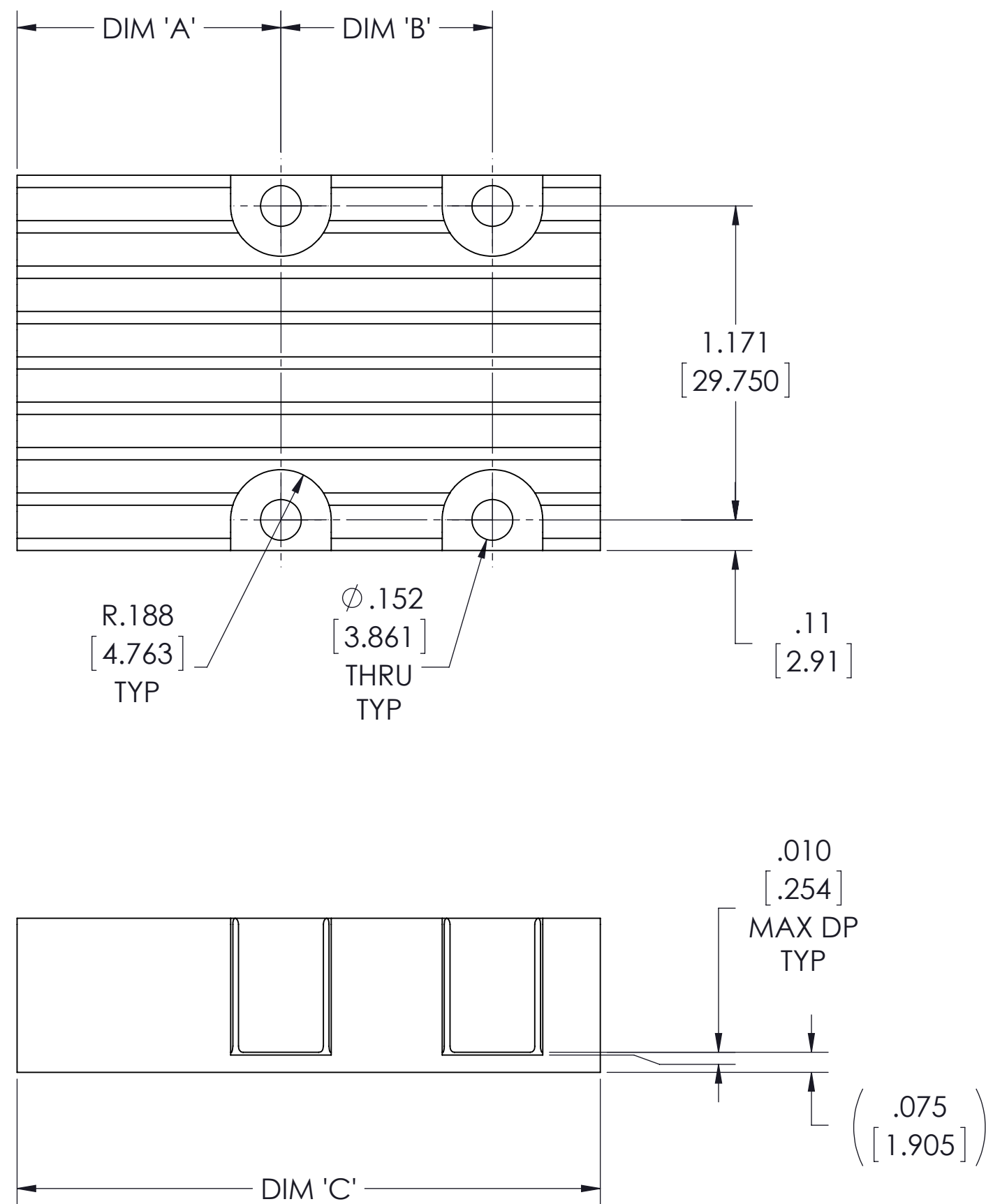
Email & Skype: info@chipsmall.com Web: www.chipsmall.com

Address: A1208, Overseas Decoration Building, #122 Zhenhua RD., Futian, Shenzhen, China



VICOR CONFIDENTIAL
 THIS DOCUMENT AND THE DATA DISCLOSED HEREIN OR
 HEREWITH IS NOT TO BE REPRODUCED, USED OR
 DISCLOSED IN WHOLE OR IN PART TO ANYONE WITHOUT
 THE PERMISSION OF VICOR CORP.

| REV. | DESCRIPTION | INTL | DATE | APVD |
|------|----------------------|------|----------|------|
| 1 | RELEASE PER E161031b | GCK | 11/22/16 | RH |



| BOM NUMBER | PRODUCT | DIM 'A' | DIM 'B' | DIM 'C' |
|------------|-------------------------|--------------|----------------|---------------|
| 43806-01 | 2214 (0 STAGE) 2223 | 0.57 [14.55] | N/A | 1.23 [31.16] |
| 43806-02 | 2814 (1 STAGE) 2223 | 0.95 [24.22] | N/A | 1.60 [40.69] |
| 43806-03 | 2814 (0 STAGE) 3623 | 0.57 [14.55] | 0.789 [20.033] | 1.77 [45.04] |
| 43806-04 | 3414 (1 STAGE) 3623 | 0.98 [25.00] | 0.789 [20.033] | 2.18 [55.25] |
| 43806-05 | 3714 (1 STAGE) 4623 | 0.98 [25.00] | 1.150 [29.200] | 2.55 [64.65] |
| 43806-06 | 3814 (0 STAGE) 2361 | 0.39 [10.03] | 1.277 [32.430] | 2.56 [65.11] |
| 43806-07 | 3814 (0 STAGE) 2361 NBM | 0.39 [10.03] | 1.277 [32.430] | 2.56 [65.11] |
| 43806-08 | 4414 (1 STAGE) 2361 | 0.98 [25.00] | 1.277 [32.430] | 3.15 [80.07] |
| 43806-09 | 4414 (1 STAGE) 6123 | 0.98 [25.00] | 1.757 [44.625] | 3.15 [80.07] |
| 43806-10 | 4914 (2 STAGE) 6123 | 1.38 [34.95] | 1.757 [44.625] | 3.54 [89.88] |
| 43806-11 | 5314 (0 STAGE) 2392 | 0.54 [13.84] | 2.490 [63.250] | 3.93 [99.77] |
| 43806-12 | 5314 (0 STAGE) 9223 | 0.54 [13.84] | 2.970 [75.445] | 3.93 [99.77] |
| 43806-13 | 5614 (1 STAGE) 2392 | 0.98 [25.00] | 2.490 [63.250] | 4.24 [107.57] |
| 43806-14 | 5614 (1 STAGE) 9223 | 0.98 [25.00] | 2.970 [75.445] | 4.24 [107.57] |
| 43806-15 | 6114 (2 STAGE) 9223 | 1.38 [34.97] | 2.970 [75.445] | 4.85 [123.30] |

NOTES:

- CLEAR FINISH, RoHS COMPLIANT PER CST-0001, LATEST REVISION PER
 A.) CHROMIUM FREE, OR
 B.) TRIVALENT CHROMIUM IN ACCORDANCE WITH
 MIL-DTL-5541, TYPE II, CLASS 1A OR 3.
 SEE CST-0003 FOR TYPES OF AVAILABLE FINISHES.
- SEE CHART FOR BOM NUMBERS
 SEE BOMS FOR PARTS LIST.
- MATERIAL: MAKE FROM AAVID EXTRUSION P/N 66450 OR EQUIVALENT
 (VICOR P/N 42585)
- REMOVE ALL BURRS AND SHARP EDGES.

| | | | | |
|---|-------------------|--|---------------------------|------------------------|
| DRAWN BY Matthew Biron | DATE 2/24/2016 | SWD | | |
| UNLESS OTHERWISE SPECIFIED DIMENSIONS ARE : INCH / (MM) | | DWG HEAT SINK LF .575 TALL ADAPTERS | | |
| TOLERANCES ARE: DECIMALS ±.01 [0.25] ±.005 [0.127] X.XX [X.XX] ±.01 [0.25] ±.005 [0.127] X.XXX [X.XXX] ±.01 [0.25] ±.005 [0.127] | | SIZE C | CAGE CODE 67131 | DWG NO 43754 |
| THIRD ANGLE PROJECTION DO NOT SCALE DRAWING | | REV 1 | SHEET 1 OF 1 | |