



Chipsmall Limited consists of a professional team with an average of over 10 year of expertise in the distribution of electronic components. Based in Hongkong, we have already established firm and mutual-benefit business relationships with customers from,Europe,America and south Asia,supplying obsolete and hard-to-find components to meet their specific needs.

With the principle of "Quality Parts,Customers Priority,Honest Operation,and Considerate Service",our business mainly focus on the distribution of electronic components. Line cards we deal with include Microchip,ALPS,ROHM,Xilinx,Pulse,ON,Everlight and Freescale. Main products comprise IC,Modules,Potentiometer,IC Socket,Relay,Connector.Our parts cover such applications as commercial,industrial, and automotives areas.

We are looking forward to setting up business relationship with you and hope to provide you with the best service and solution. Let us make a better world for our industry!



Contact us

Tel: +86-755-8981 8866 Fax: +86-755-8427 6832

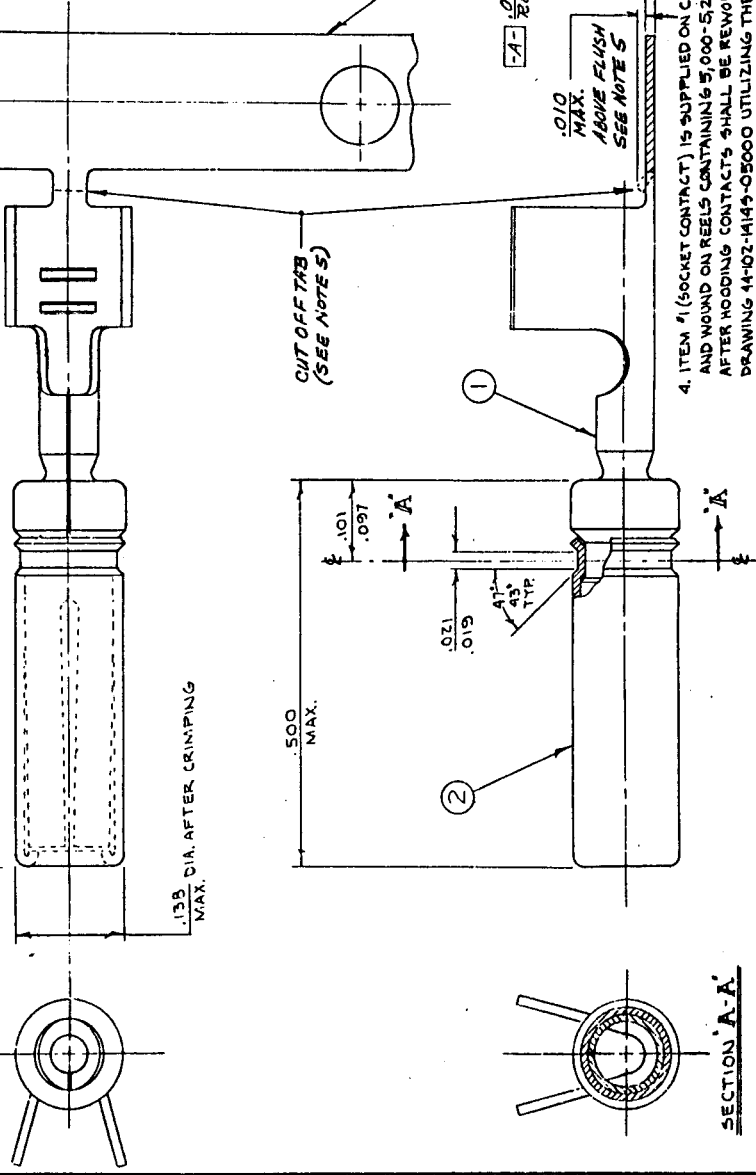
Email & Skype: info@chipsmall.com Web: www.chipsmall.com

Address: A1208, Overseas Decoration Building, #122 Zhenhua RD., Futian, Shenzhen, China



DOCUMENT CONTROL
 14 JUL 88
 RECEIVED

REV. NO.	DESCRIPTION	DATE	APPROVED
A	RELEASED TO PRODUCTION		
B	NOTE 3 ADDED ON 4/12/78	3-22-78	JM
C	NOTE 4 ADDED ON 4/12/78	3-22-78	JM
D	ADDED NOTE 5 CUT OFF DIM. ON 4/12/78	3-22-78	JM
E	ADDED NOTE 1, 2, 3, 4, 5, 6, 7, 8, 9, 10, 11, 12, 13, 14, 15, 16, 17, 18, 19, 20, 21, 22, 23, 24, 25, 26, 27, 28, 29, 30, 31, 32, 33, 34, 35, 36, 37, 38, 39, 40, 41, 42, 43, 44, 45, 46, 47, 48, 49, 50, 51, 52, 53, 54, 55, 56, 57, 58, 59, 60, 61, 62, 63, 64, 65, 66, 67, 68, 69, 70, 71, 72, 73, 74, 75, 76, 77, 78, 79, 80, 81, 82, 83, 84, 85, 86, 87, 88, 89, 90, 91, 92, 93, 94, 95, 96, 97, 98, 99, 100	3-22-78	JM
F	REV'D NOTE 1, 3, 4, 5, 6, 7, 8, 9, 10, 11, 12, 13, 14, 15, 16, 17, 18, 19, 20, 21, 22, 23, 24, 25, 26, 27, 28, 29, 30, 31, 32, 33, 34, 35, 36, 37, 38, 39, 40, 41, 42, 43, 44, 45, 46, 47, 48, 49, 50, 51, 52, 53, 54, 55, 56, 57, 58, 59, 60, 61, 62, 63, 64, 65, 66, 67, 68, 69, 70, 71, 72, 73, 74, 75, 76, 77, 78, 79, 80, 81, 82, 83, 84, 85, 86, 87, 88, 89, 90, 91, 92, 93, 94, 95, 96, 97, 98, 99, 100	3-22-78	JM



- NOTES:**
- AFTER CRIMPING HOOD (ITEM #2) IN PLACE, CONTACT SHALL BE CAPABLE OF MEETING THE FOLLOWING WITHDRAWAL FORCE REQUIREMENTS WHEN A STEEL TEST PIN IS INSERTED TO A DEPTH OF .250: THE TEST PIN MUST HAVE A SPHERICAL R. & SURFACE FINISH OF 7 TOV. 25 OZ. MAX. WITH .071 ± .0001 DIA. PIN. 5 OZ. MIN. WITH .075 ± .0001 DIA. PIN.
 - AFTER ASSEMBLY HOOD MAY ROTATE BUT NOT HAVE ANY LATERAL MOVEMENT: HOOD SHALL NOT SEPARATE FROM SOCKET CONTACT BODY WHEN SUBJECT TO A 15 LB. PULL.
 - ITEMS MANUFACTURED UNDER THIS PART NUMBER SHALL MEET THE QUANTITY ASSURANCE REQUIREMENTS OF QAP 156.

4. ITEM #1 (SOCKET CONTACT) IS SUPPLIED ON CARRIER AND WOUND ON REELS CONTAINING 5,000-5,250 PCS. AFTER HOODING CONTACTS SHALL BE REMOVED PER DRAWING 44-102-14149-05000 UTILIZING THE ORIGINAL PACKAGING MATERIALS. AFTER HOODING EACH REEL SHALL CONTAIN A MINIMUM OF 5,000 PCS.

5. DEFECTIVE CONTACTS DUE TO IMPAIRED ASSEMBLY OF HOOD SHALL BE REMOVED FROM THE CARRIER STRIP, EACH REEL ASSEMBLY (SEE DRAWING 44-102-14145-05000) SHALL HAVE NO LESS THAN 500 CONTACTS. THERE SHALL NOT BE MORE THAN 50 CONTACTS MISSING IN A ROL. CUT OFF TAB REMAINING ON THE CARRIER STRIP AFTER REMOVAL OF CONTACTS SHALL BE FLUSH WITH THE CARRIER STRIP TO .010 MAX. ABOVE OR BELOW FLUSH.

SEE DRAWING 123-1591 FOR CARRIER DETAIL.

ITEM NO.	DESCRIPTION	QUANTITY	UNIT
1	44-100-14145	1	SOCKET CONTACT
2	44-101-1400-02	1	CONTACT HOOD

LIST OF MATERIALS OR PARTS LIST
AMPHENOL CONNECTOR DIVISION BUNKER RAMO CORPORATION BROADVIEW, ILLINOIS 60153
TITLE SOCKET CONTACT ASSEMBLY
WIRE SIZE #14 & #16 A.W.G.
INSULATION RANGE .080/.125
SCALE 10/1
DATE 3-22-78
DESIGNER J.M.
CHECKED J.M.
APPROVED J.M.
ENGINEERING RELEASE NO. 10258
INDUSTRIAL ENGINEERING DESIGN ACTIVITY APPR. 9-1-78
EXPERIMENTAL NO. 100-044-8110-01
FINISH