



Chipsmall Limited consists of a professional team with an average of over 10 year of expertise in the distribution of electronic components. Based in Hongkong, we have already established firm and mutual-benefit business relationships with customers from,Europe,America and south Asia,supplying obsolete and hard-to-find components to meet their specific needs.

With the principle of “Quality Parts,Customers Priority,Honest Operation,and Considerate Service”,our business mainly focus on the distribution of electronic components. Line cards we deal with include Microchip,ALPS,ROHM,Xilinx,Pulse,ON,Everlight and Freescale. Main products comprise IC,Modules,Potentiometer,IC Socket,Relay,Connector.Our parts cover such applications as commercial,industrial, and automotives areas.

We are looking forward to setting up business relationship with you and hope to provide you with the best service and solution. Let us make a better world for our industry!



Contact us

Tel: +86-755-8981 8866 Fax: +86-755-8427 6832

Email & Skype: info@chipsmall.com Web: www.chipsmall.com

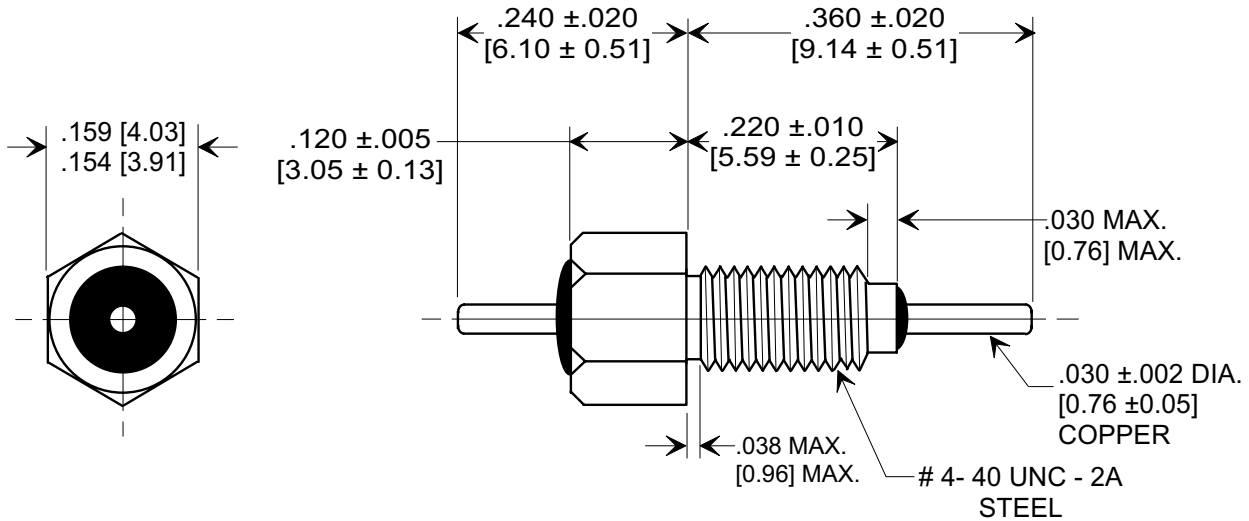
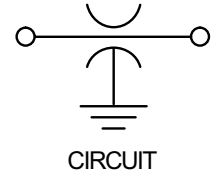
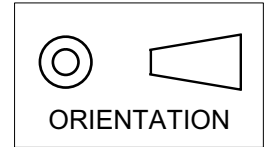
Address: A1208, Overseas Decoration Building, #122 Zhenhua RD., Futian, Shenzhen, China



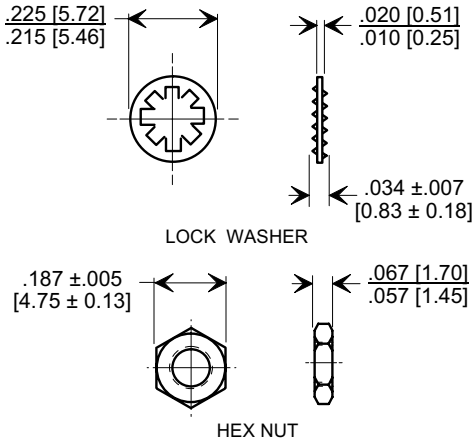
MARKETING SALES DRAWING

Electrical Testing
per Tusonix standard
test plans and Mil-Std-202
Test Methods.

DIMENSIONS IN INCHES - DO NOT SCALE THIS DRAWING
DIMENSIONS IN METRIC - []



MOUNTING HARDWARE



NOTES:

- TUSONIX STANDARD PART NUMBER: 4400-032.
TUSONIX RoHS COMPLIANT PART NUMBER: 4400-032 LF.
CUSTOMER MUST SPECIFY STANDARD OR RoHS PART NUMBER WHEN ORDERING.
- LEAD, BUSHING, AND MOUNTING HARDWARE: SILVER PLATED.
- PART MARKING: TRADEMARK AND VARIATION NUMBER ON HEX FLATS. STANDARD PART: BLACK INK. RoHS PART: GREEN INK.
- OPERATING TEMPERATURE RANGE : -55°C TO +125°C.
- MAX. RECOMMENDED SOLDERING TEMPERATURE: 260°C.
- SUPPLIED WITH HEX NUT AND INTERNAL TOOTH LOCK WASHER.
- MAX. RECOMMENDED MOUNTING TORQUE - 2.0 lb.-in. [.226 Nm].

| CAP.(pf) | TOLERANCE | DC WORKING VOLTAGE | | I.R. MIN. @ 100 (VDC.) | DWV (VDC) | DC CURRENT (AMPS) | MIN. NO LOAD INSERTION LOSS (dB) @ 25°C PER MIL-STD-220 | | | | |
|----------|-----------|--------------------|-------|------------------------|-----------|-------------------|---|--------|---------|-------|--------|
| | | 85°C | 125°C | | | | 1 MHz | 10 MHz | 100 MHz | 1 GHz | 10 GHz |
| 1200 | GMV | 300 | 200 | 10 G Ω | 500 | 10 | ---- | 5 | 20 | 35 | 45 |

X-2015 Rev-0

| REVISION RECORD | | | | | --TOLERANCES-- Unless Otherwise Specified | | Title | | | |
|---|---|---|--|--|--|-------|---------------------------------|----------------|-----------------|-----|
| Original Release | 0 | | | | DECIMAL ± | NOTED | BUSHING STYLE EMI FILTER | | | |
| C.O. 20011102-1-02 | | | | | ANGLES ± | | | | | |
| VARS 035,036,037 & 1MHZ COLUMN ADDED. L.E. 11-07-90 | | | | | | | Drawn | S.M. 11-08-01 | Scale | 5 X |
| 5591 | 1 | RDN TO COMP FMT & ADDED METRIC. S.M. 11-08-01 | | | | | Approved | B.Mc. 11-08-01 | | |
| 20011102-1-02 | 2 | REVISED DWG. DRAWING MADE FOR EACH VAR. S.M. 11-19-02 | | | | | | | | |
| 20021113-1-03 | 3 | CORRECTED ELECT. BLOCK S.M. 02-27-03 | | | | | | | | |
| 20030226-1-01 | 4 | ADDED AND REVISED NOTES. S.M. 12-14-05 | | | | | | | | |
| 20051122-2-16 | 5 | | | | | | | | | |
| | | | | | TUSONIX TUCSON, ARIZONA | | A | | 4400-032 | |