



Chipsmall Limited consists of a professional team with an average of over 10 year of expertise in the distribution of electronic components. Based in Hongkong, we have already established firm and mutual-benefit business relationships with customers from,Europe,America and south Asia,supplying obsolete and hard-to-find components to meet their specific needs.

With the principle of “Quality Parts,Customers Priority,Honest Operation,and Considerate Service”,our business mainly focus on the distribution of electronic components. Line cards we deal with include Microchip,ALPS,ROHM,Xilinx,Pulse,ON,Everlight and Freescale. Main products comprise IC,Modules,Potentiometer,IC Socket,Relay,Connector.Our parts cover such applications as commercial,industrial, and automotives areas.

We are looking forward to setting up business relationship with you and hope to provide you with the best service and solution. Let us make a better world for our industry!



Contact us

Tel: +86-755-8981 8866 Fax: +86-755-8427 6832

Email & Skype: info@chipsmall.com Web: www.chipsmall.com

Address: A1208, Overseas Decoration Building, #122 Zhenhua RD., Futian, Shenzhen, China



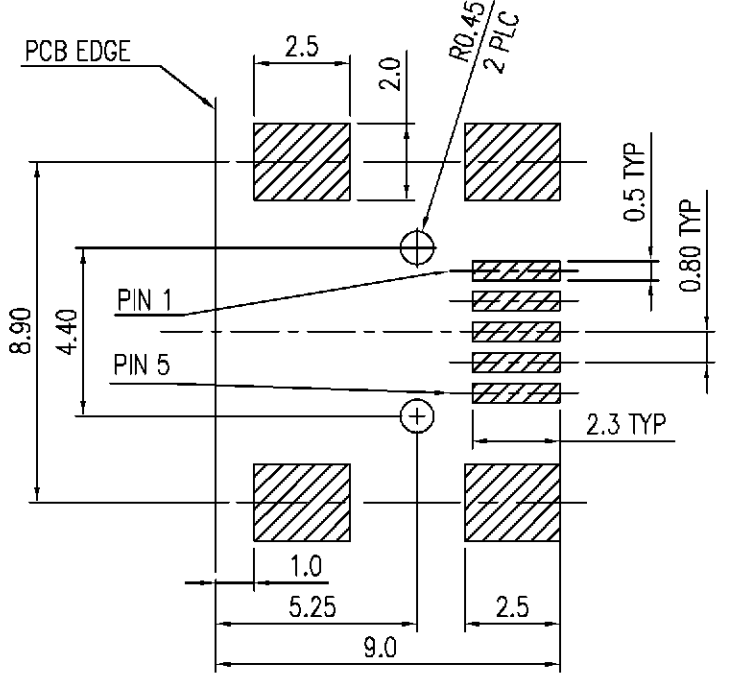
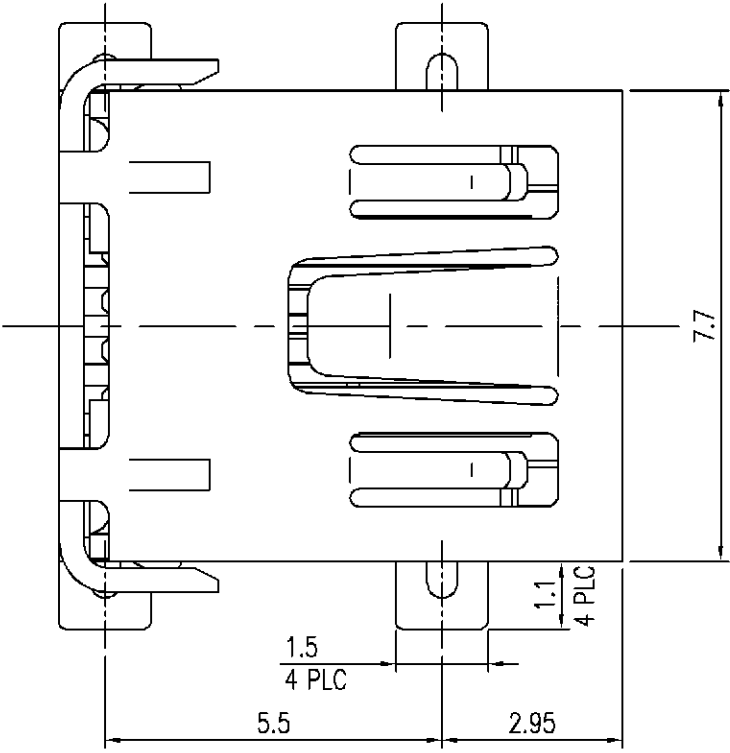
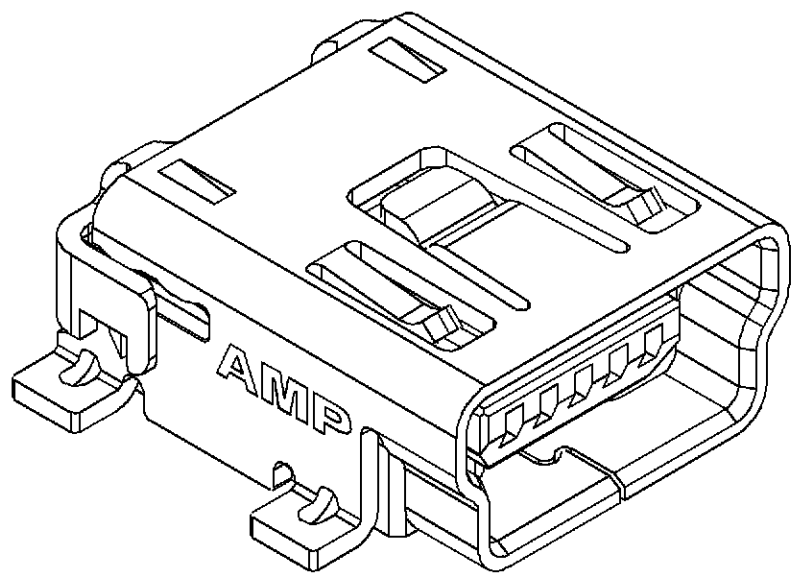
NUMBER
C-440247

3RD ANGLE PROJECTION

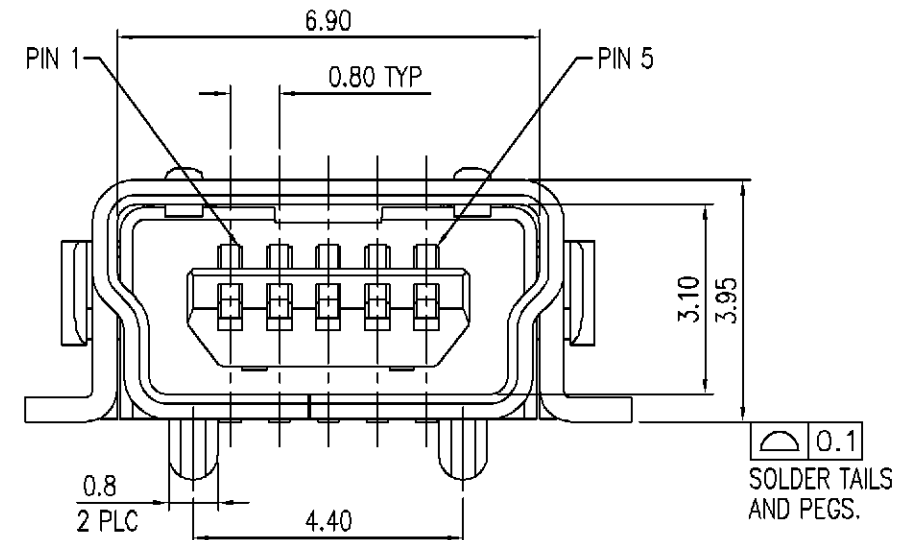
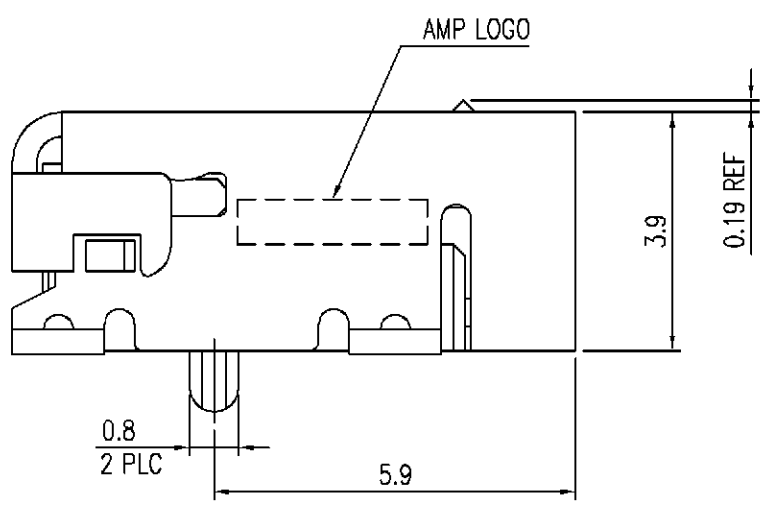
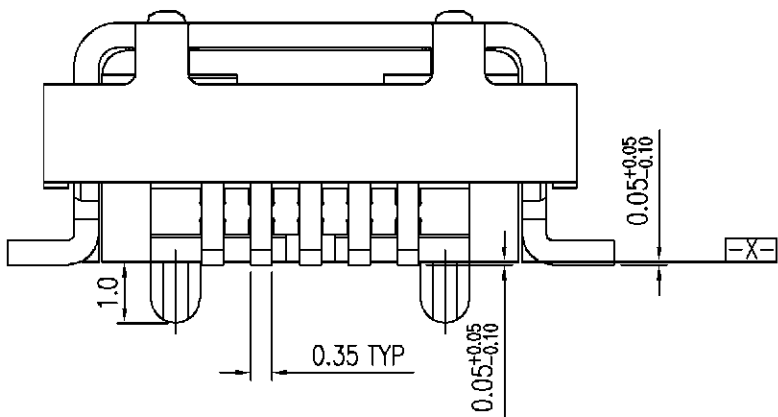
METRIC

THIS INFORMATION IS CONFIDENTIAL AND IS DISCLOSED TO YOU ON CONDITION THAT NO FURTHER DISCLOSURE IS MADE BY YOU TO OTHER THAN AMP PERSONNEL WITHOUT WRITTEN AUTHORIZATION FROM AMP (TAIWAN) LTD. DIMENSION IN MILLIMETERS. DO NOT SCALE PRINT.

PRINT
DW



RECOMMENDED PCB LAYOUT (MOUNTING SIDE)
THICKNESS 1.57mm



- NOTE:
- MATERIAL:
HOUSING: HIGH TEMPERATURE THERMOPLASTIC UL 94V-0, COLOR: BLACK.
CONTACT: PHOSPHOR BRONZE.
SHELL: PHOSPHOR BRONZE.
 - FINISH:
CONTACT: 30u" MIN. GOLD PLATED IN CONTACT AREA, 100u" MIN. TIN-LEAD TIN ON SOLDER TAILS, 50u" MIN. NICKEL UNDERPLATED ALL OVER.
SHELL: 100u" MIN. HALF-BRIGHT TIN OVER 100u" MIN. Cu UNDERPLATED.

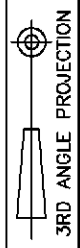
W/	W/O	TAPE REEL	W/	440247-4
W/O	W/	TAPE REEL	W/	440247-3
W/O	W/O	TAPE REEL	W/	440247-2
W/O	N/A	TRAY	W/	440247-1
MYLAR	LONG CARRIER & COVER TAPE	PACKAGE	POST	PART NUMBER

DIMENSION :		DWN	O. HU	 TYCO HOLDINGS (BERMUDA) VII LTD. TAIWAN BRANCH
0 PLC ±0.38		27-JUN-2003		
1 PLC ±0.25		CHK	A. WU	NAME
2 PLC ±0.13		27-JUN-2003		
3 PLC ±0.05		MATERIAL	APVD	MINI USB RIGHT ANGLE, SMT, B TYPE
ANGLES ±3'		J. CHENG 27-JUN-2003		
SEE NOTE		PRODUCT SPEC 108-57062		LOC SIZE DRAWING NO DW A ₃ C-440247 REV D
SEE NOTE		APPLICATION SPEC		
D ADD P/N FOR PACKAGE FZ00-0149-03 OH AW 04JUL 2003		WEIGHT		SCALE
LTR REVISION RECORD ECN DWN CHK DATE				SHEET 1 OF 4

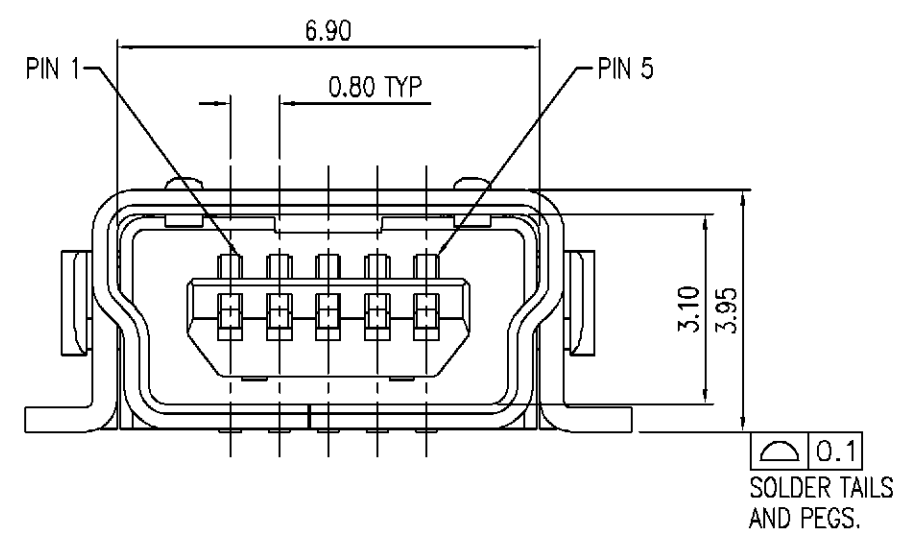
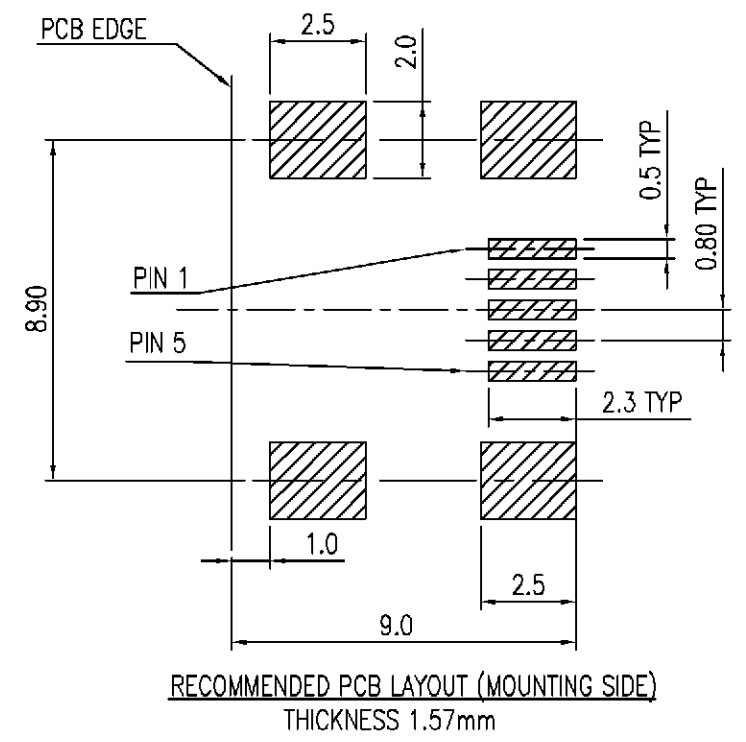
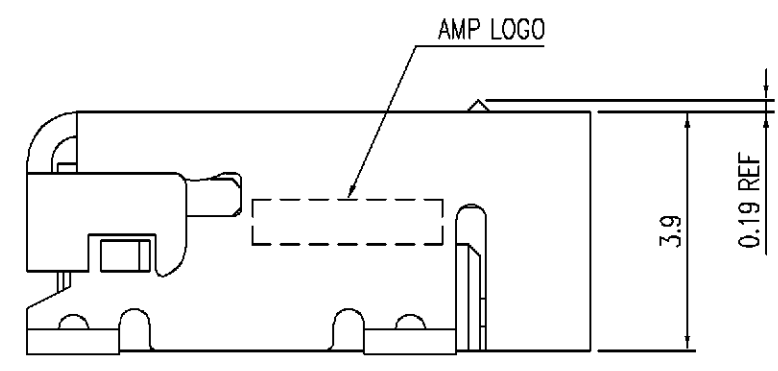
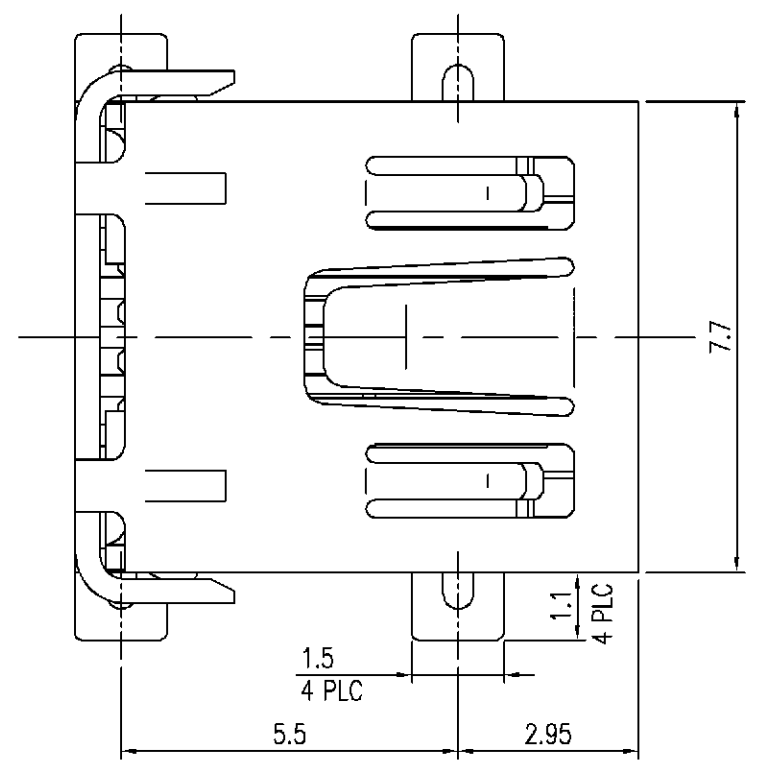
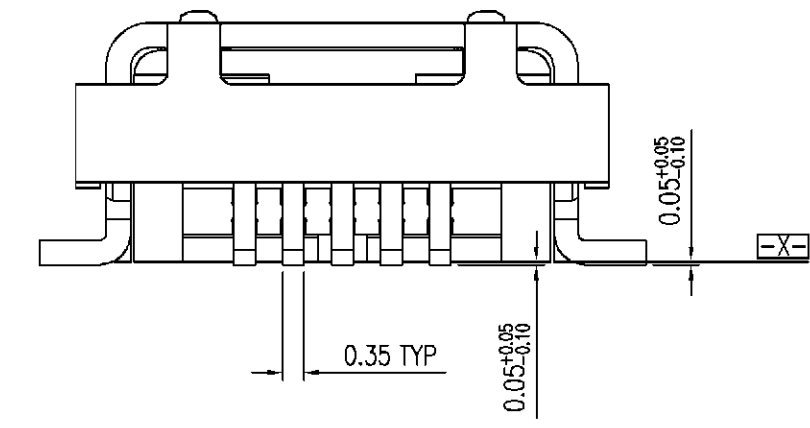
THIS INFORMATION IS CONFIDENTIAL AND IS DISCLOSED TO YOU ON CONDITION THAT NO FURTHER DISCLOSURE IS MADE BY YOU TO OTHER THAN AMP PERSONNEL WITHOUT WRITTEN AUTHORIZATION FROM AMP (TAIWAN) LTD. DIMENSION IN MILLIMETERS. DO NOT SCALE PRINT.

PRINT DIST
DW

METRIC



NUMBER
C-440247



W/O	W/	TAPE REEL	W/O	1-440247-3
	W/O	TAPE REEL	W/O	1-440247-2
	N/A	TRAY	W/O	1-440247-1
MYLAR	LONG CARRIER & COVER TAPE	PACKAGE	POST	PART NUMBER

DIMENSION :	DWN	O. HU		TYCO HOLDINGS (BERMUDA) VII LTD. TAIWAN BRANCH
	0 PLC ±0.38	27-JUN-2003		
1 PLC ±0.25	CHK	A. WU	MINI USB RIGHT ANGLE, SMT, B TYPE	
2 PLC ±0.13		27-JUN-2003		
3 PLC ±0.05	MATERIAL	APVD	J. CHENG	
ANGLES ±3'	SEE SHEET 1.	PRODUCT SPEC	27-JUN-2003	108-57062
	FINISH	APPLICATION SPEC	-	
	SEE SHEET 1.	WEIGHT	-	
		LOC	SIZE	DRAWING NO
		DW	A ₃	C-440247
		SCALE	--	REV D
		SHEET	2 OF 4	

LTR	SEE SHEET 1.	ECN	DWN	CHK	DATE
	REVISION RECORD				

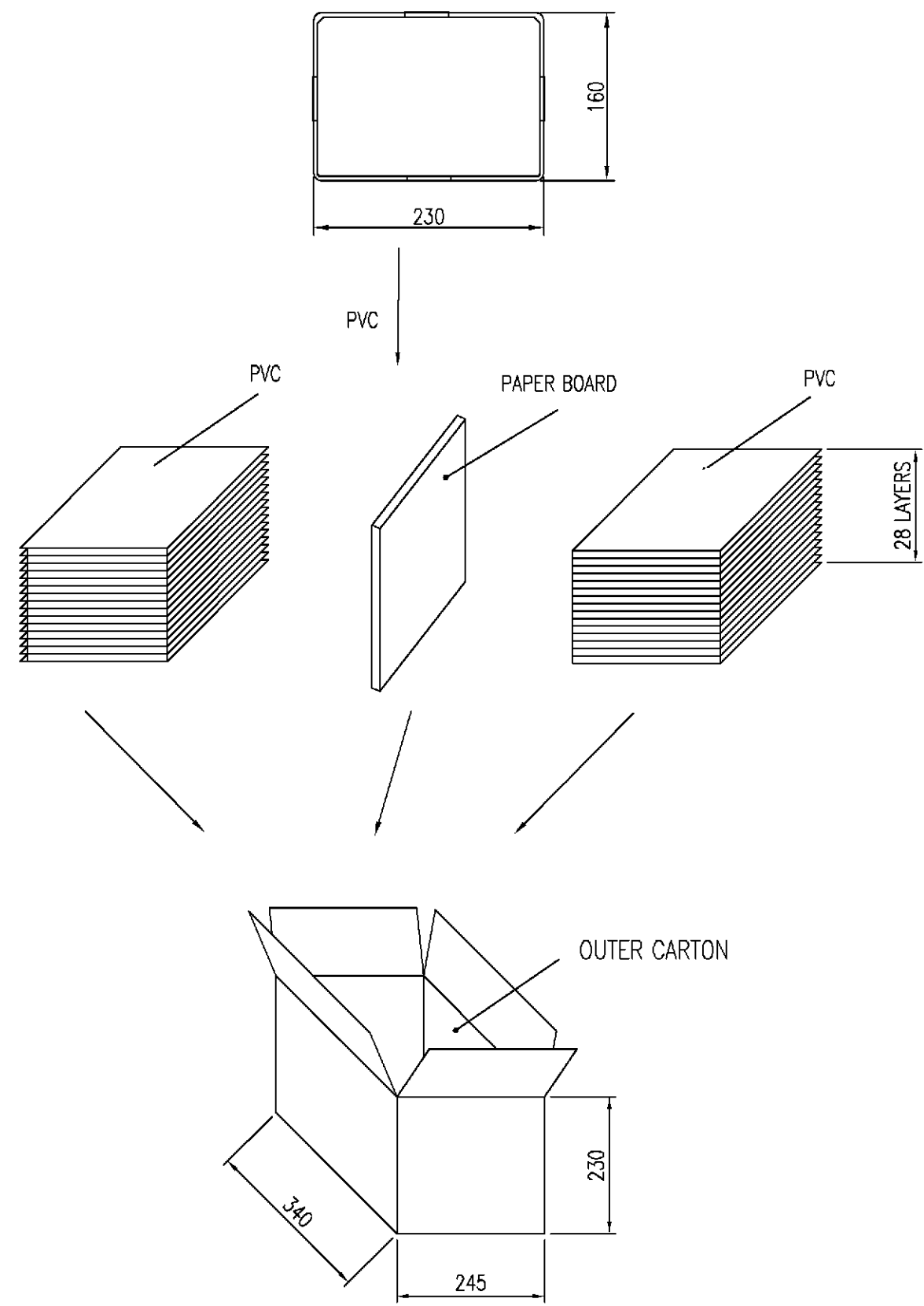
NUMBER
C-440247



METRIC

THIS INFORMATION IS CONFIDENTIAL AND IS DISCLOSED TO YOU ON CONDITION THAT NO FURTHER DISCLOSURE IS MADE BY YOU TO OTHER THAN AMP PERSONNEL WITHOUT WRITTEN AUTHORIZATION FROM AMP (TAIWAN) LTD. DIMENSION IN MILLIMETERS. DO NOT SCALE PRINT.

PRINT DIST
DW



9.2	6.7	8400 (56 TRAY)	150	1-440247-1
				440247-1
G.W(KGS)	N.W(KGS)	PACKAGING QTY' / CARTON	PCS/TRAY	PART NUMBER

DIMENSION :		DWN	O. HU	TYCO HOLDINGS (BERMUDA) VII LTD. TAIWAN BRANCH	
0 PLC ±		27-JUN-2003	27-JUN-2003		
1 PLC ±		CHK	A. WU	NAME	
2 PLC ±		27-JUN-2003	27-JUN-2003		
3 PLC ±		APVD J. CHENG		MINI USB RIGHT ANGLE, SMT, B TYPE	
ANGLES ±		27-JUN-2003			
MATERIAL		PRODUCT SPEC		LOC SIZE DRAWING NO REV DW A ₃ C-440247 D	
-		-			
FINISH		APPLICATION SPEC		SCALE SHEET	
-		-			
		WEIGHT		3 OF 4	

SEE SHEET 1.	ECN	DWN	CHK	DATE
LTR	REVISION RECORD			

NUMBER
C-440247

METRIC
3RD ANGLE PROJECTION

METRIC

THIS INFORMATION IS CONFIDENTIAL AND IS DISCLOSED TO YOU ON CONDITION THAT NO FURTHER DISCLOSURE IS MADE BY YOU TO OTHER THAN AMP PERSONNEL WITHOUT WRITTEN AUTHORIZATION FROM AMP (TAIWAN) LTD. DIMENSION IN MILLIMETERS. DO NOT SCALE PRINT.

PRINT
DW

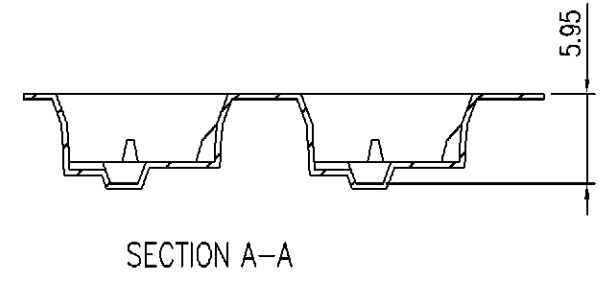
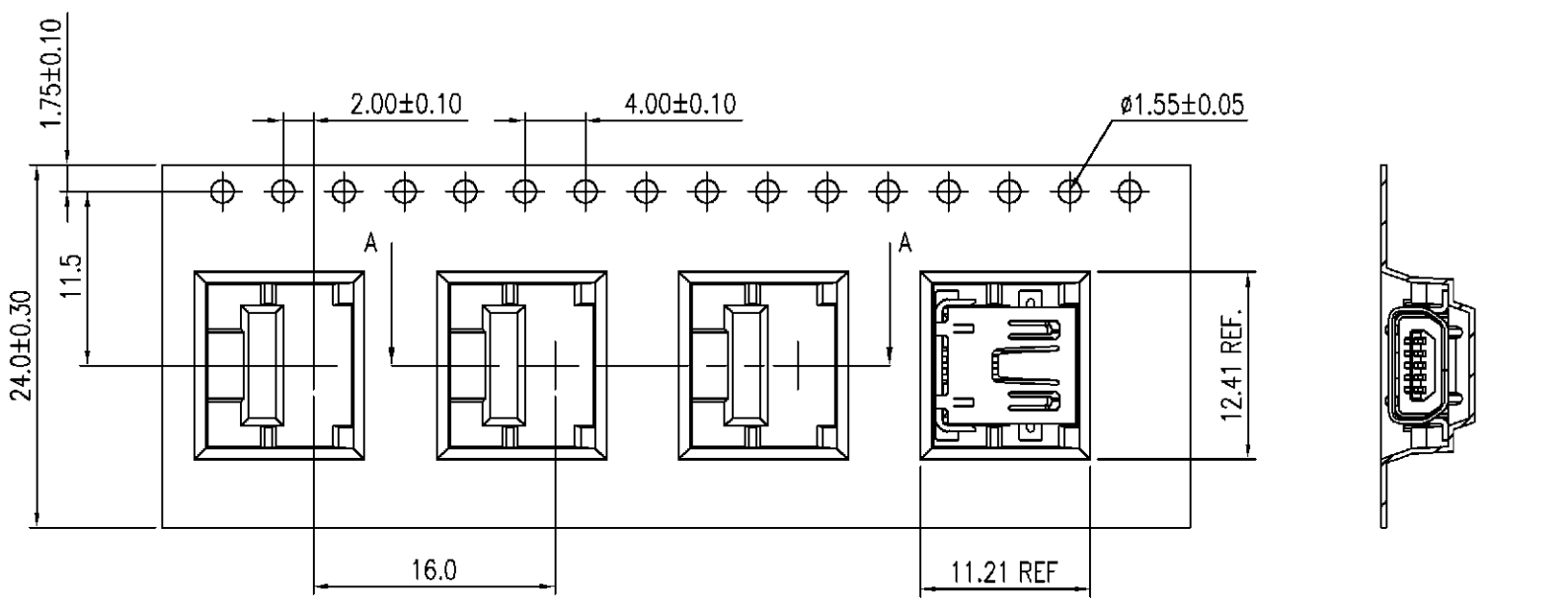
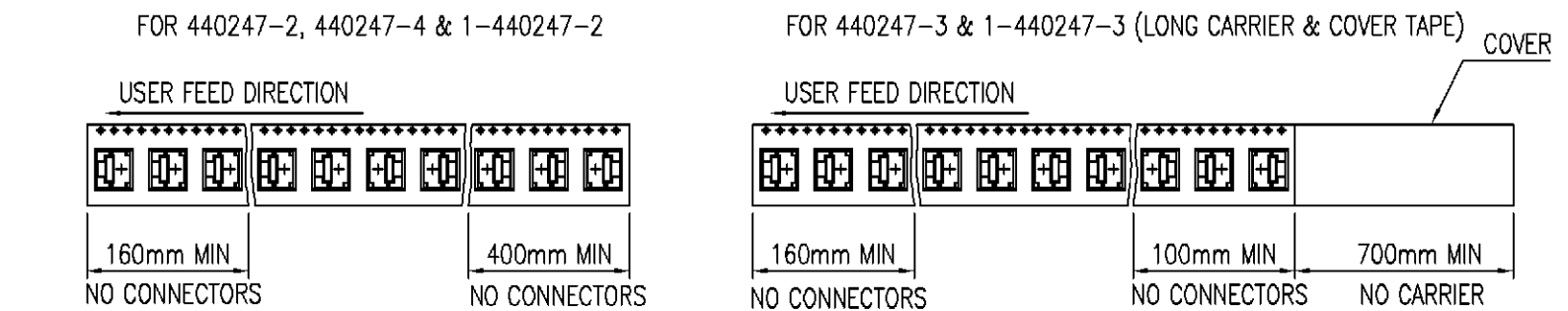
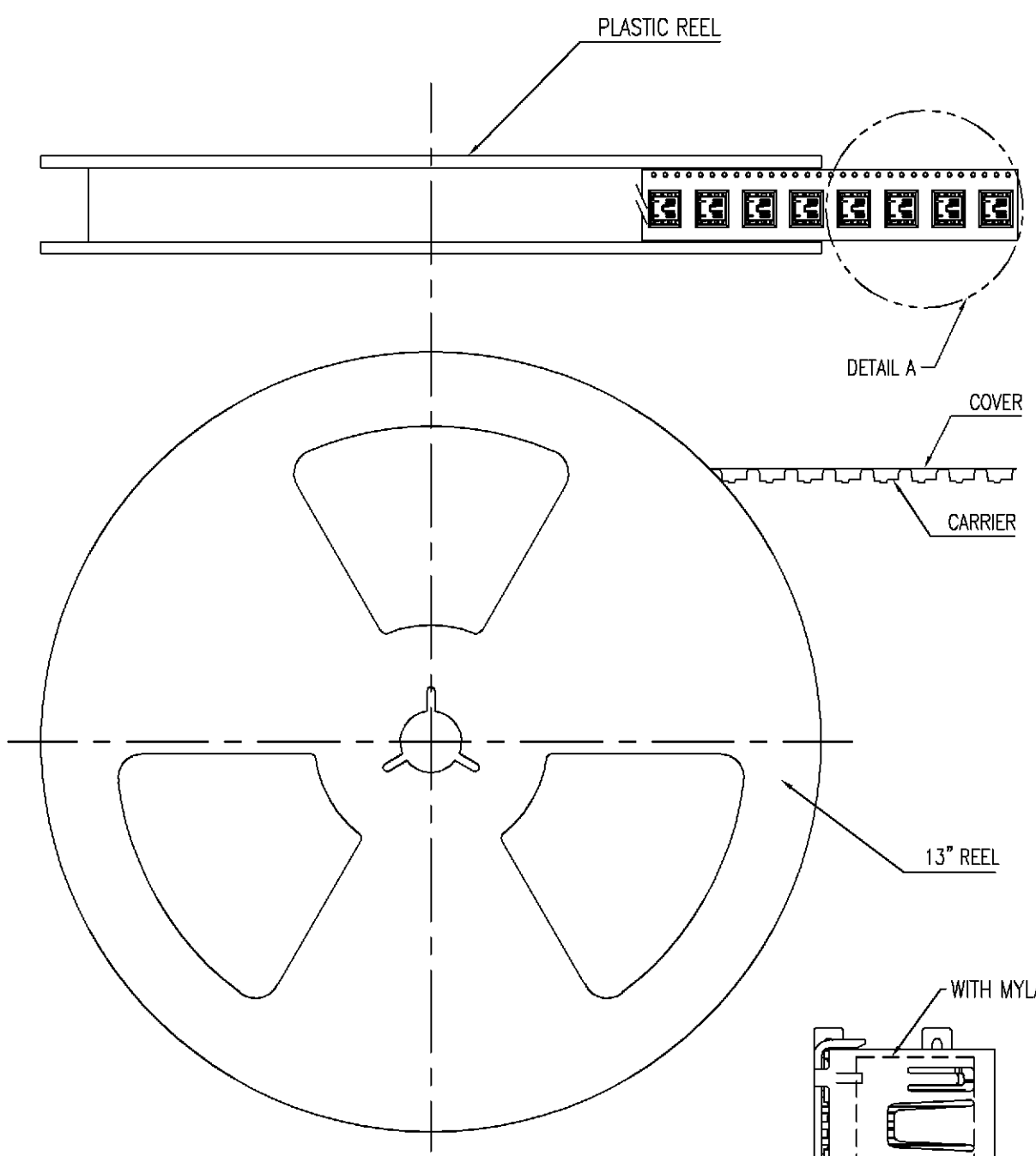
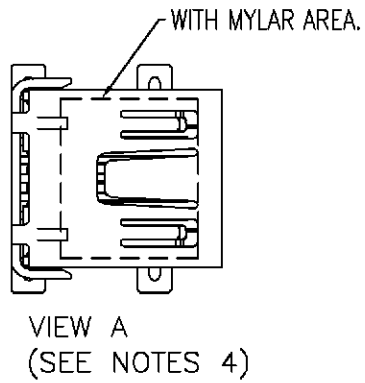
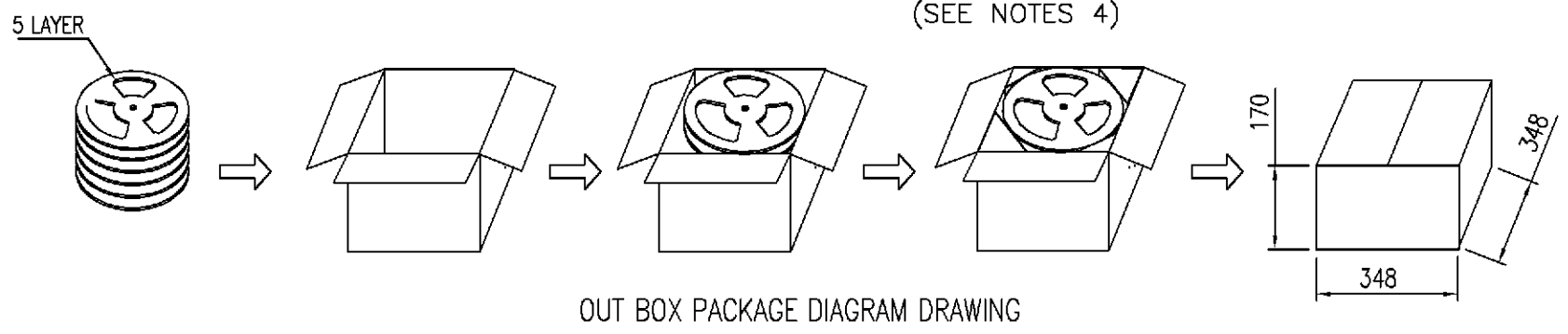


FIGURE E



- NOTES:
1. APPLICABLE DOCUMENT : EIA-481-2
 2. PACKAGE: 700 PCS/REEL , 5 REEL/BOX
W.G. : 6.5Kg , N.G. : 5.5Kg
 3. QUANTITY: 3500 PCS.
 4. VIEW SHOW THE MYLAR AREA FOR P/N 440247-4



W/O	W/	1-440247-3
W/O	W/O	1-440247-2
W/	W/O	440247-4
W/O	W/	440247-3
W/O	W/O	440247-2
MYLAR	LONG CARRIER & COVER TAPE	PART NUMBER

DIMENSION :	0 PLC ±	DWN	O. HU	tyco	TYCO HOLDINGS (BERMUDA) VII LTD. TAIWAN BRANCH
	1 PLC ±		27-JUN-2003		
MATERIAL	2 PLC ±	APVD	A. WU	Electronics	MINI USB RIGHT ANGLE, SMT, B TYPE
	3 PLC ±		27-JUN-2003		
FINISH	ANGLES ±	PRODUCT SPEC	J. CHENG	NAME	LOC
			27-JUN-2003		
		APPLICATION SPEC		SIZE	DRAWING NO
		WEIGHT		A ₃	C-440247
				SCALE	REV D
					SHEET 4 OF 4

SEE SHEET 1.				
LTR	REVISION RECORD	ECN	DWN CHK	DATE